

TEXAN SERIES ODK COMPONENTS

PRODUCT

30" Double Access Door

Item No. TEX-30DD

DESCRIPTION

30" Texan Series Double Door, works best w/appliance between 28" to 33" Width

PRODUCT DIMENSIONS

Product Size: 30" WIDTH x 20-1/2" HEIGHT x 1-3/4" DEPTH
Cut-Out Size: 28-1/8" WIDTH x 19" HEIGHT x 1-3/4" DEPTH

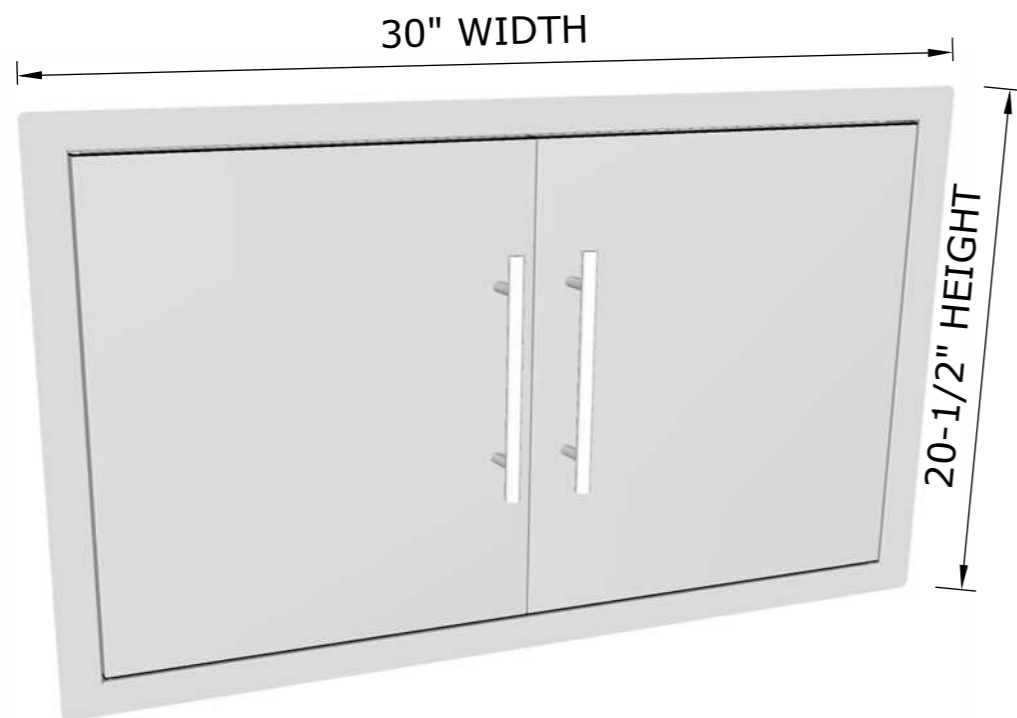
SPECIFICATIONS

304 Stainless Steel Construction Frame, Doors & 304 SS Rod Handles

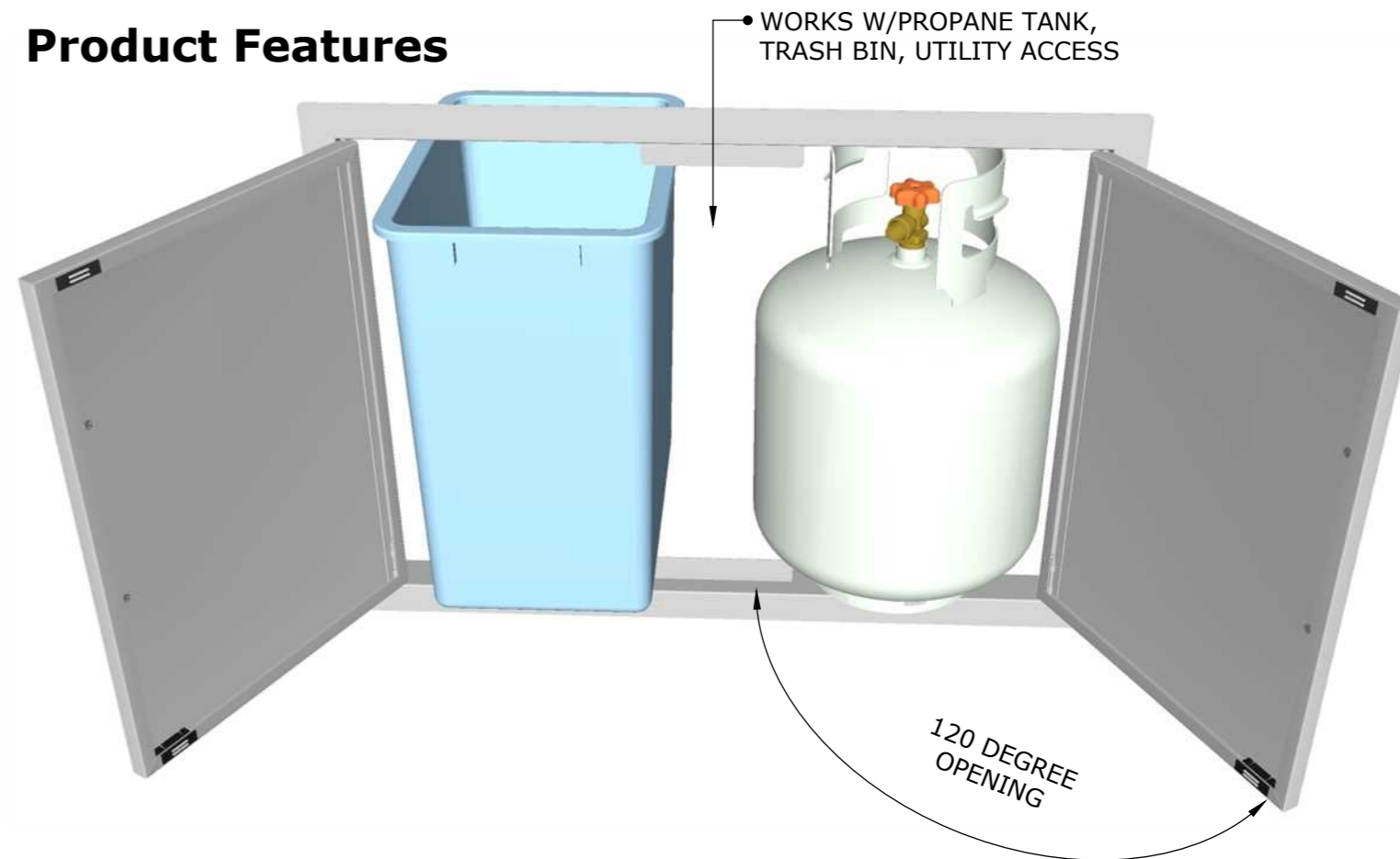
WARRANTY

- EXTERIOR FINISH -----3 YEARS
- STRUCTURE -----3 YEARS
- HANDLE-----1 YEAR

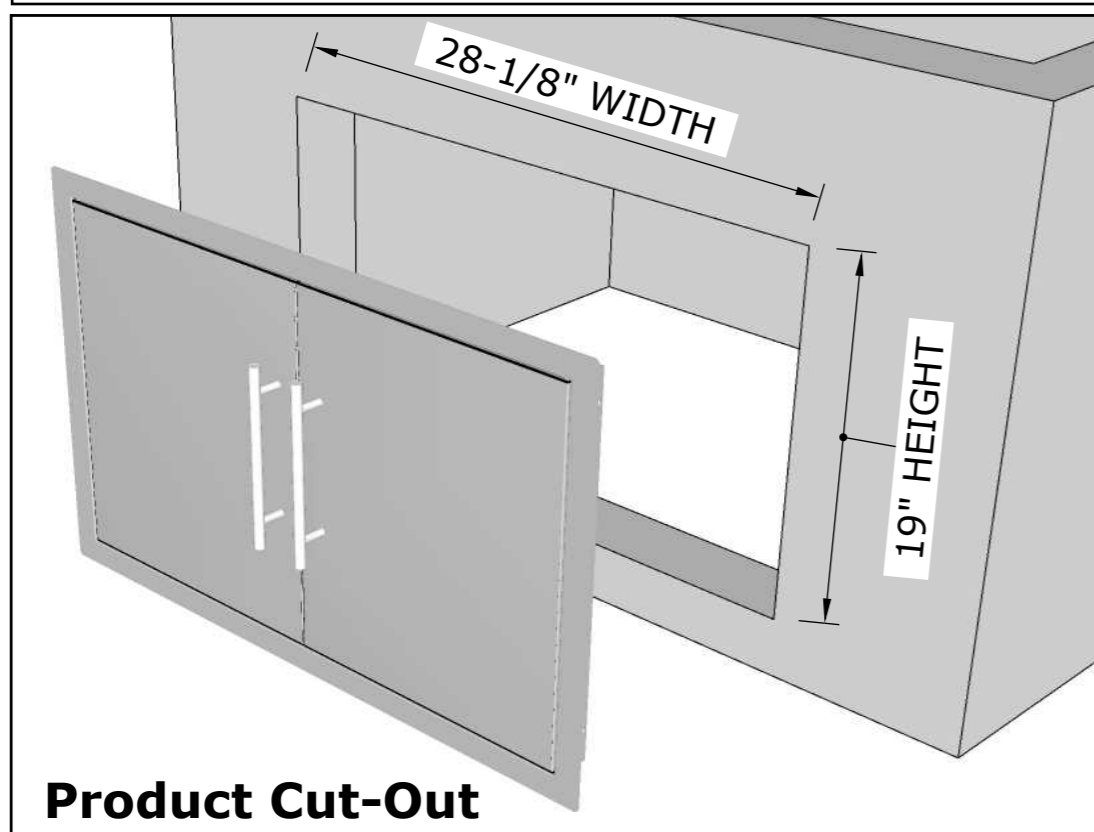
Product Dimensions



Product Features



ISLAND WALL CUT-OUT SIZE:
28-1/8" WIDTH x 19" HEIGHT x 20-1/2" DEPTH



Product Cut-Out

OPEN SLOTS ALLOW FOR EASY INSTALLATION

HAVE COMPONENT ON SITE BEFORE MAKING ISLAND CUTS, CONFIRM ALL DIMENSIONS BEFORE CUTTING INTO ISLAND WALL

MOUNT TO INTERIOR ISLAND CUT-OUT EDGE USING SCREW CONSISTENT WITH YOUR INSTALLATION TYPE. CONCRETE, MASONRY, WOOD, METAL ALL USE DIFFERENT SCREW TYPES (HARDWARE NOT INCLUDED)

