

# SUNSTONE®

**GAS-HYBRID CHARCOAL/WOOD BURNING GRILL**

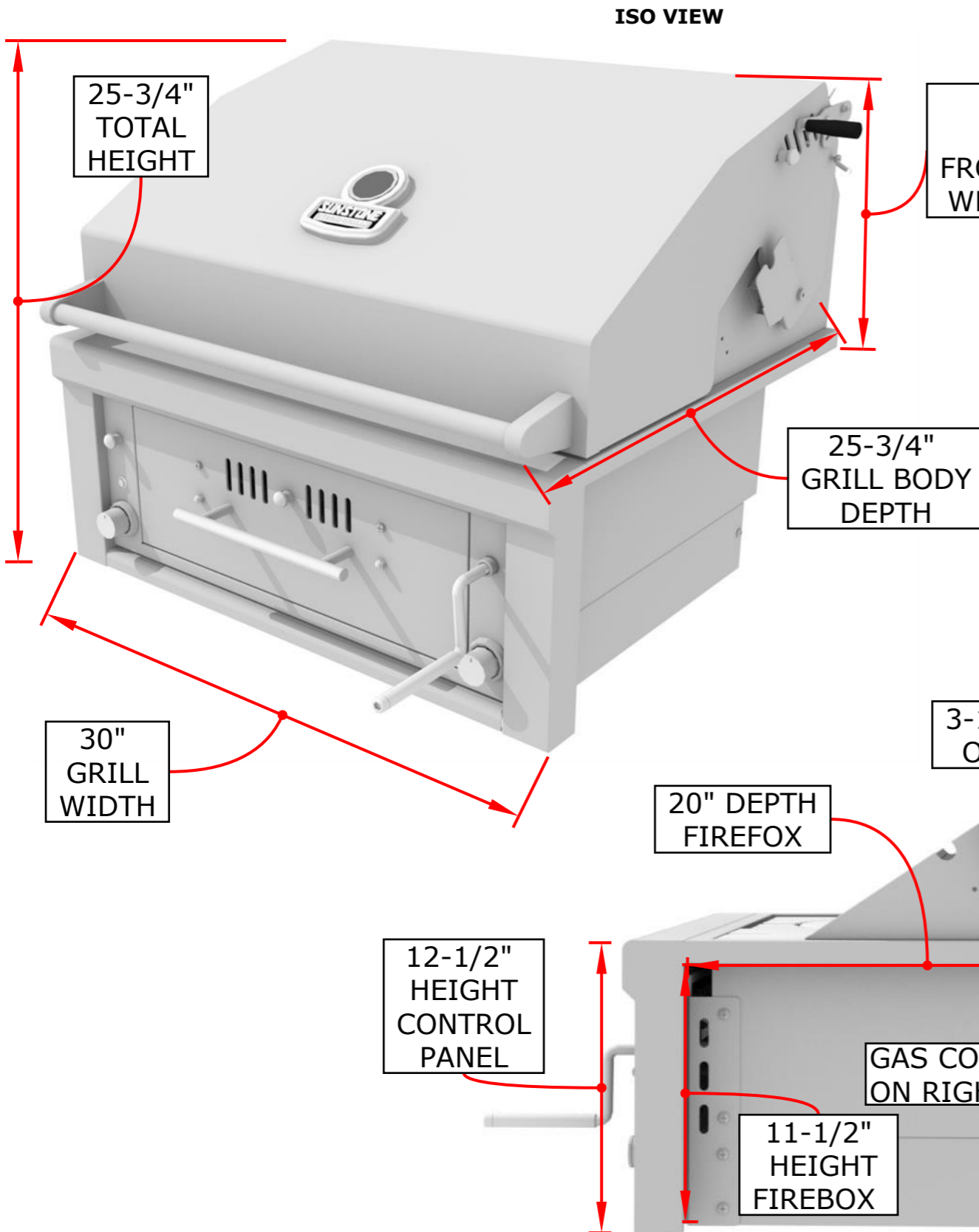
**PRODUCT**  
Item No.  
SUNCHSZ30

**DESCRIPTION**  
SUNSTONE 30" Gas-Hybrid  
Charcoal/Wood Burning Grill

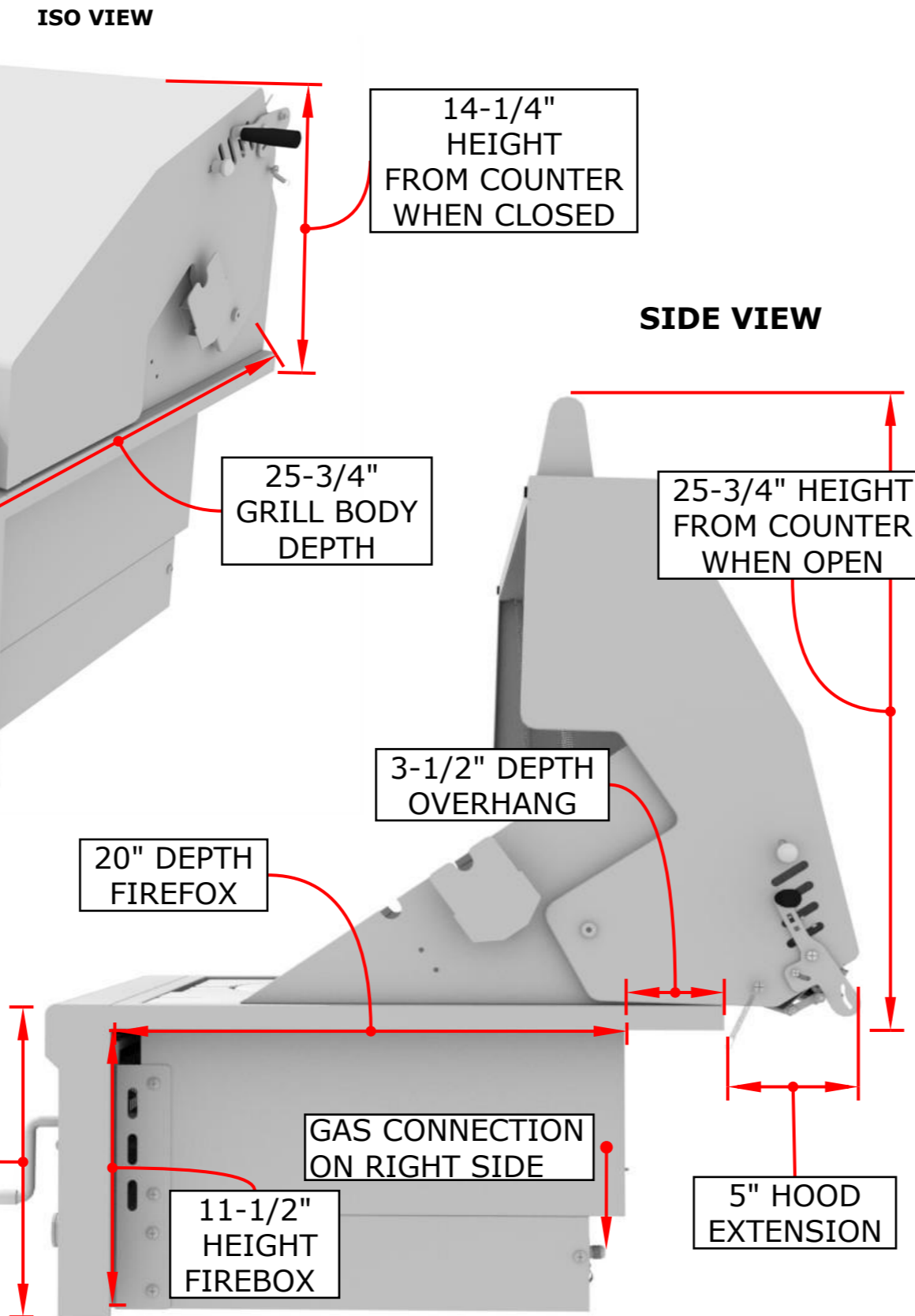
**SPECIFICATIONS**  
PRODUCT SIZE - 30" W x 25-3/4" H x 25-3/4" D  
CUT-OUT - 27-1/2" W x 12-3/4" H x 22" D  
WEIGHT - 170 LBS  
BTU'S - UP TO 45,000  
GAS TYPE - LP / NG CONVERSION REQUIRED

**TECHNICAL**  
**888-934-9449**

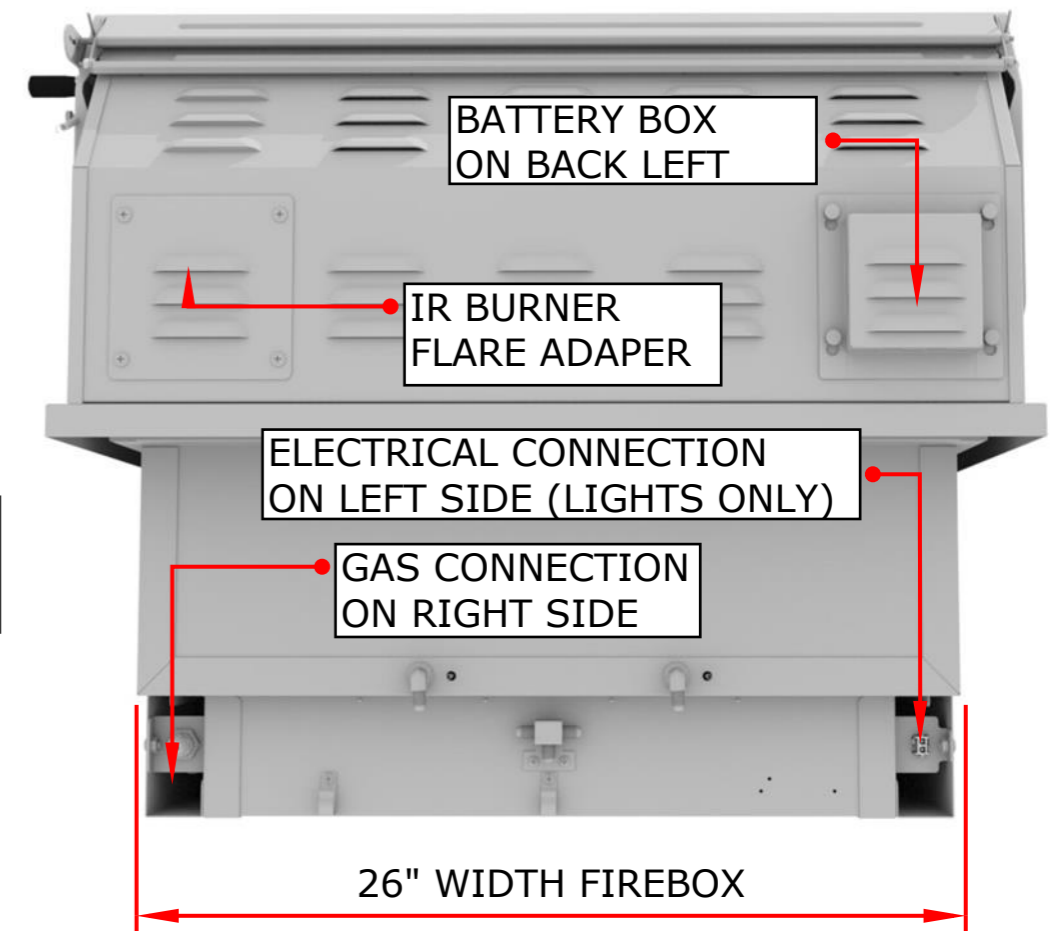
## PRODUCT SIZE

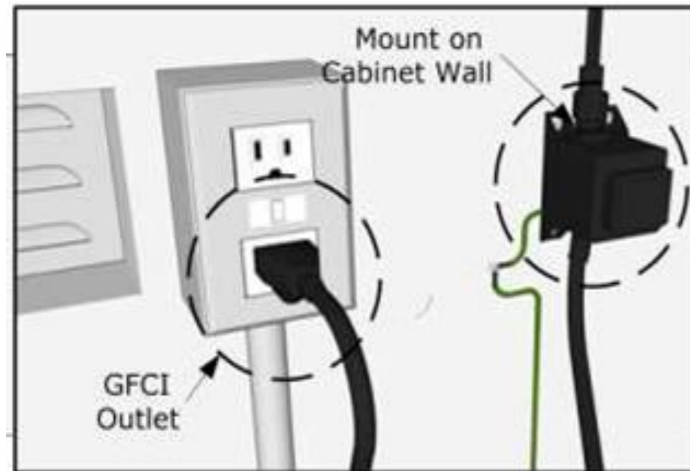


## PRODUCT DETAILS



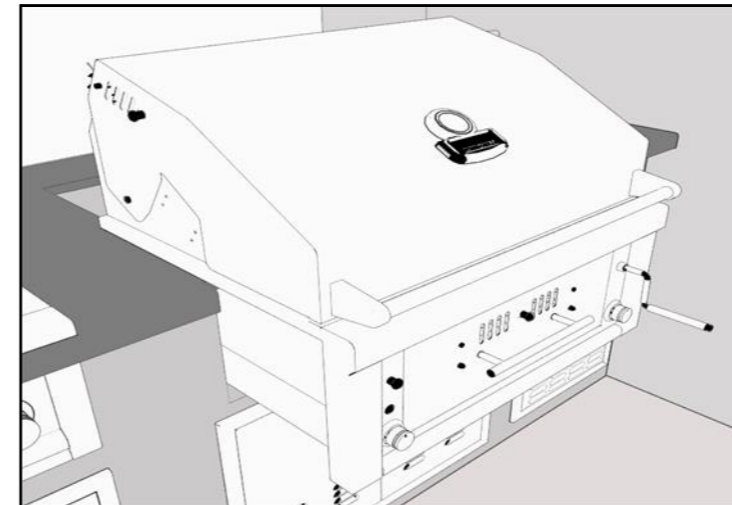
## BACK VIEW





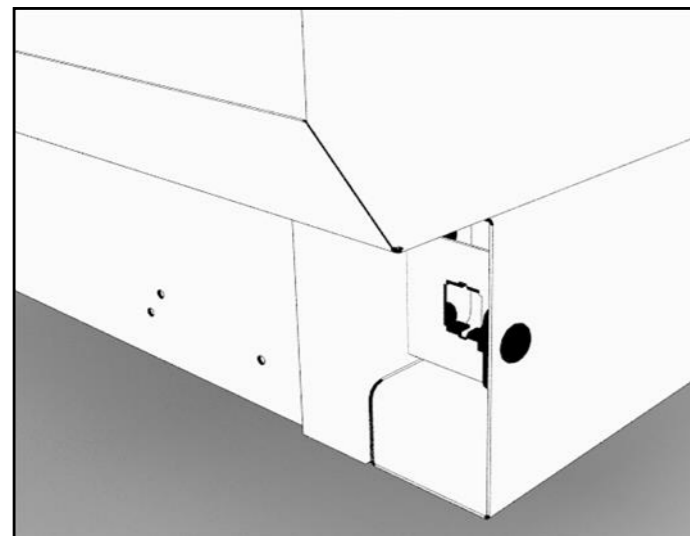
### 1. Mount Transformer

Using metal screws and attach the transformer to the back inner wall of your island's cabinet wall, somewhere near the already installed GFCI electrical outlet. When you plug the transformer in, double check the GFCI breaker switch, that the outlet has power.



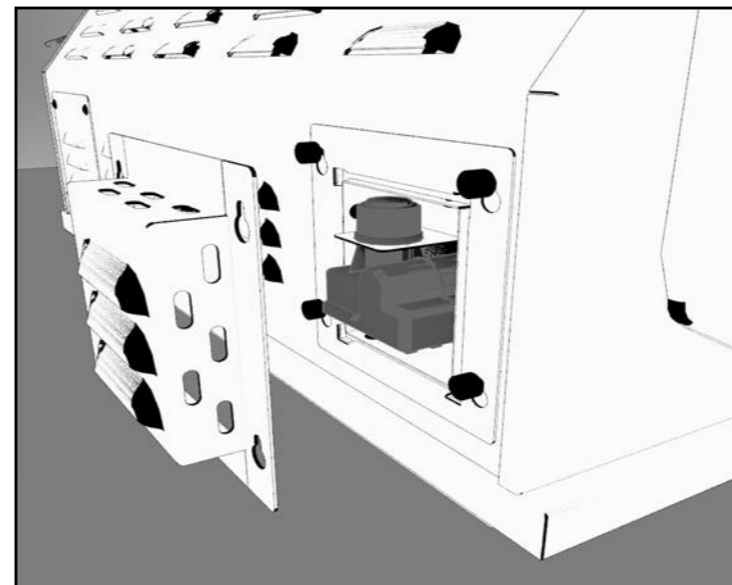
### 4. Slide Grill in Place

The Grill is designed with an internal built in hanger flange located at the Right, Left and Back sides. The grill flange allows it to hang by the three supported edges on the right, left and back. The front control panel requires no supporting edge; it is designed to hang down the front of your cut-out. Never build any enclosure below the grill preventing the grill from properly venting heat, or gas.



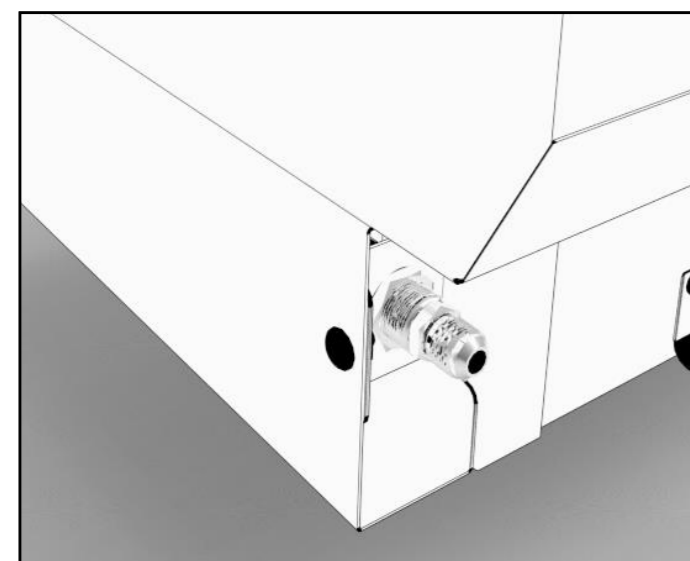
### 2. Elect. Connection

Locate the Light Button on Left side of grill control panel. The Transformer's electrical connection to grill is located at the back left under-side. The connection clips together to form a secure connection. Double check that all wires are tightly pushed into plug sockets, so all wires make proper connections. You can tuck wire into body of grill or island frame, so it's up and out of the way.



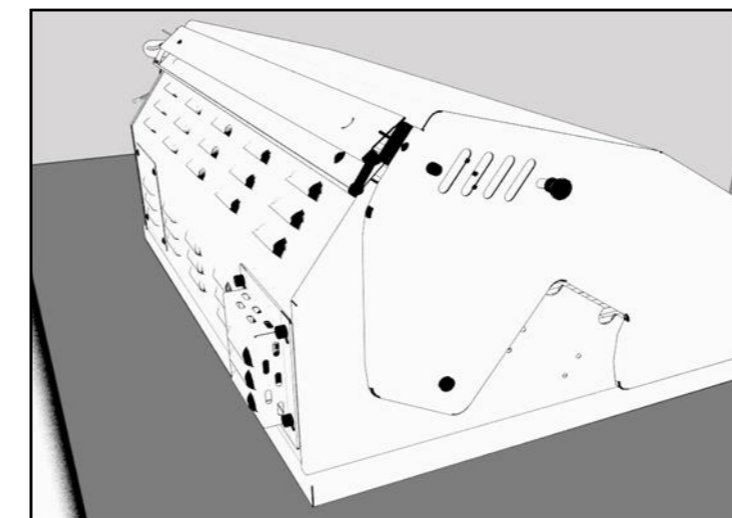
### 5. Install the Battery

The back left side of grill, find the vented box extruding out. This box can be unhinged by lifting up and off revealing the black igniter box within. Next unscrew the black cap which will release the igniter box from the hole mount. Now you can place a AA Battery in the open port, with the Male Side facing out.



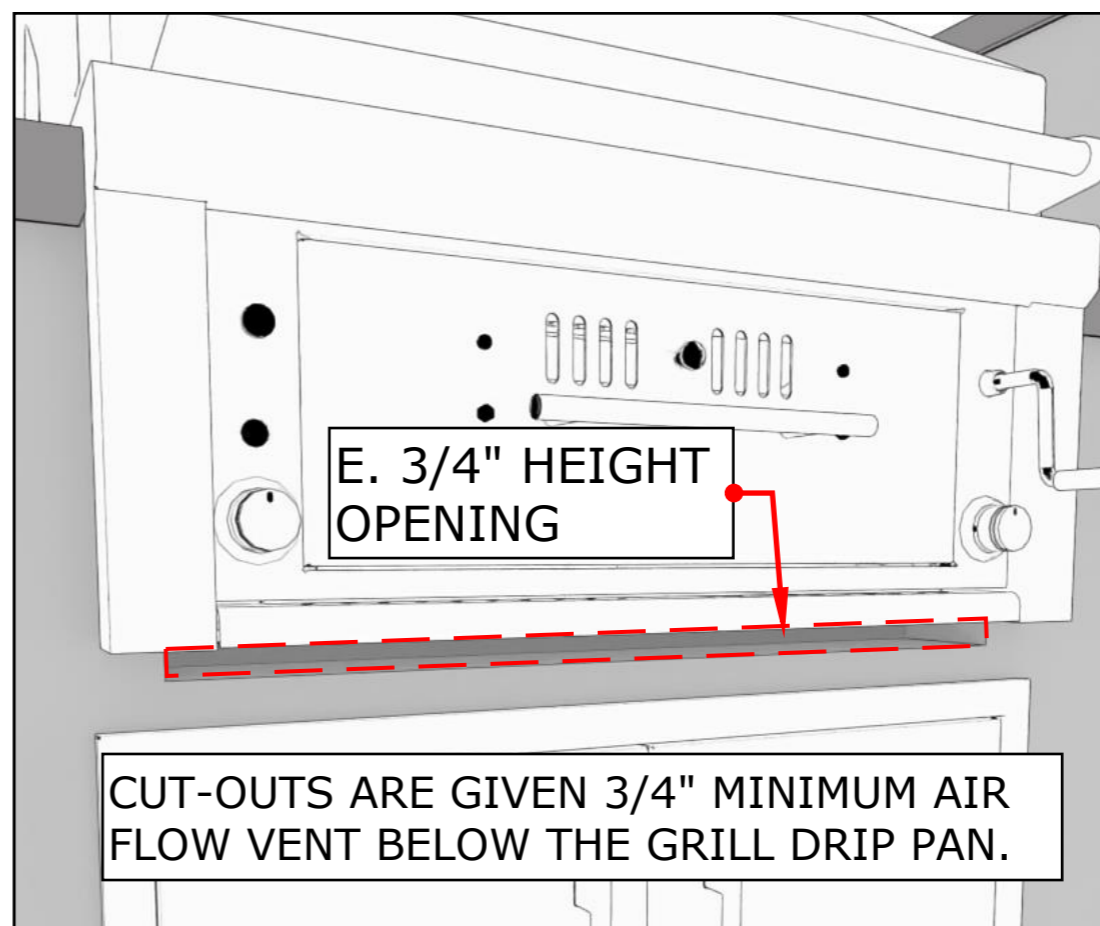
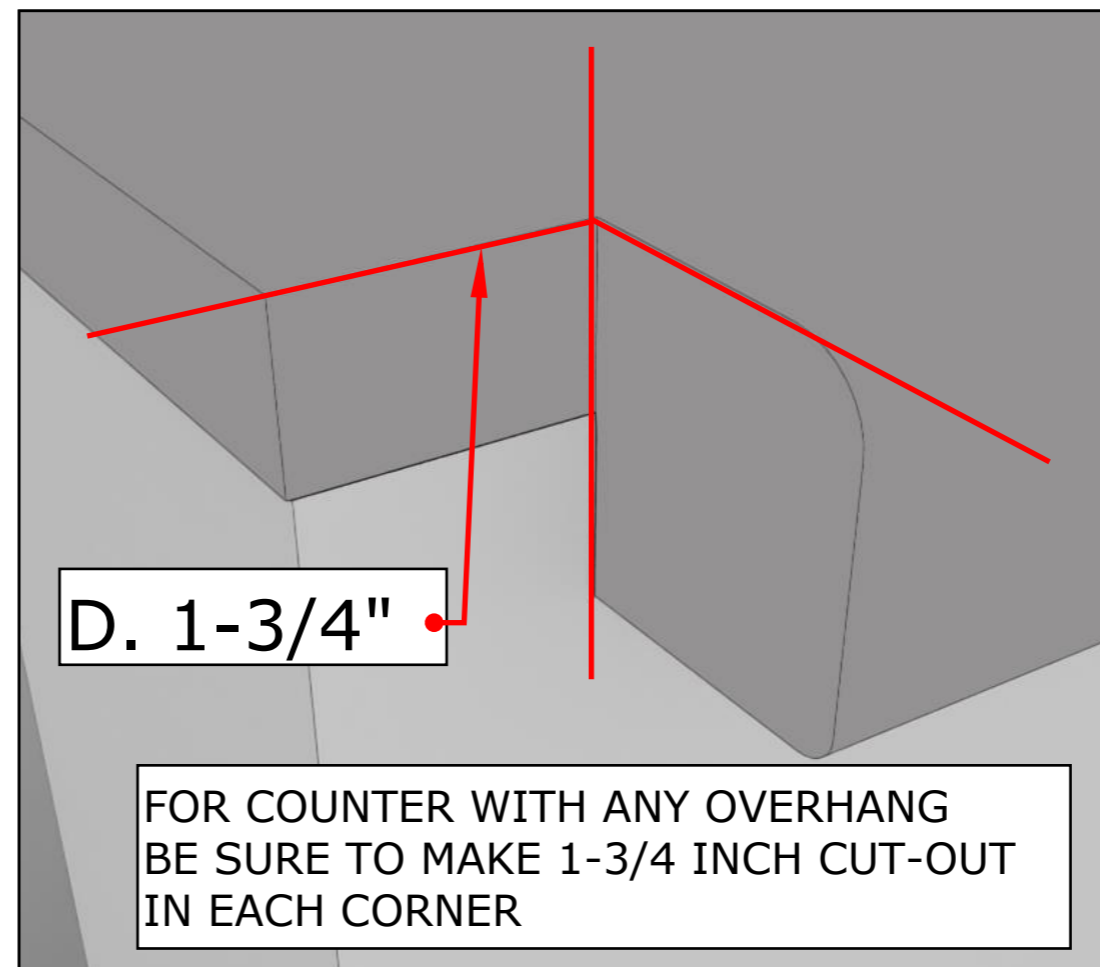
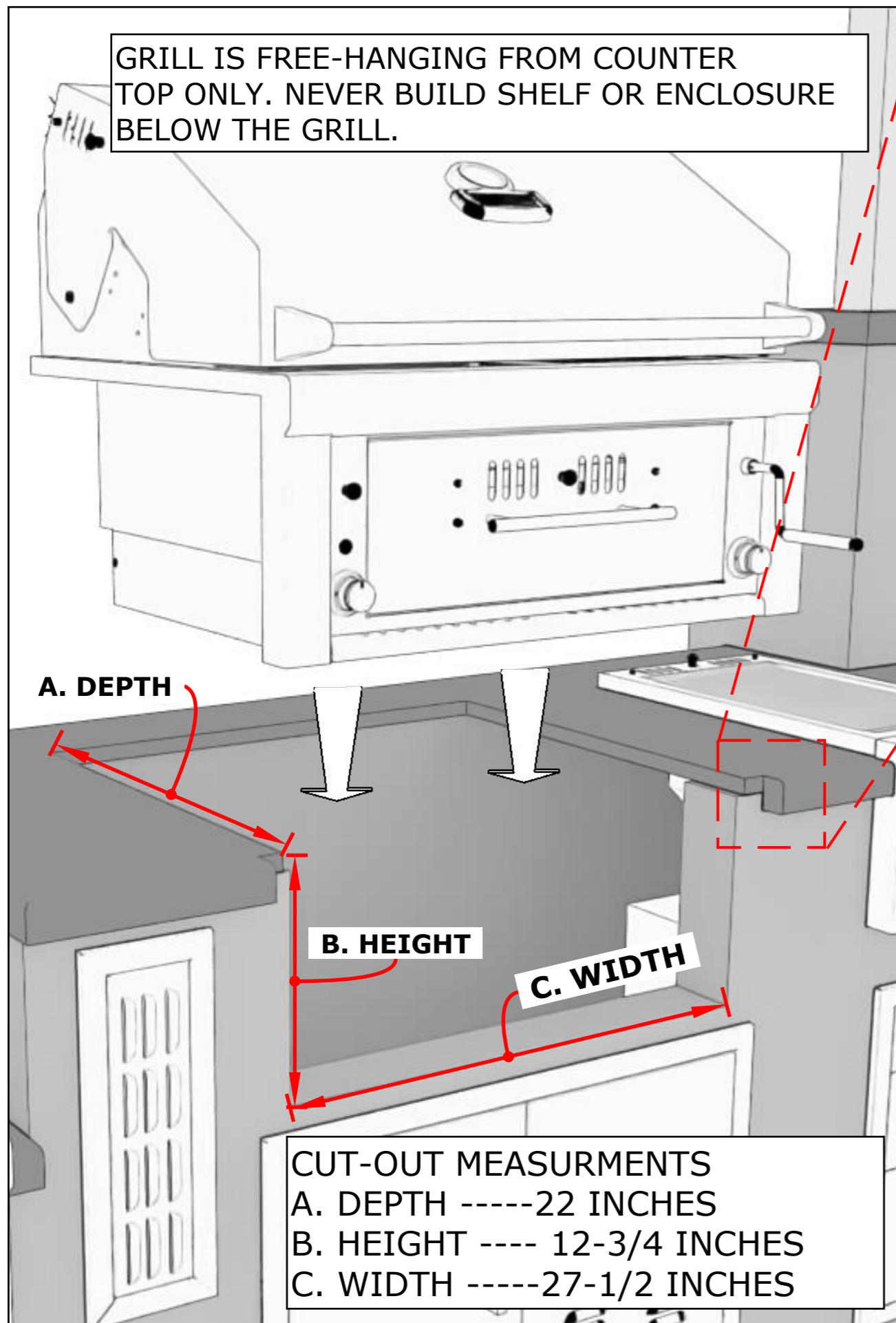
### 3. Gas Line Connection

See the BACK-RIGHT UNDER-SIDE – This is where the Gas Line will connect to the Grill. Grill is shipped as Liquid Propane ONLY and includes a LP-Regulator for portable tank. Recommendation to have an 18" hose to allow grill to be pulled out if necessary. For Natural Gas Installation, see grill manual for complete instructions, or contact our tech line at 888-934-9449



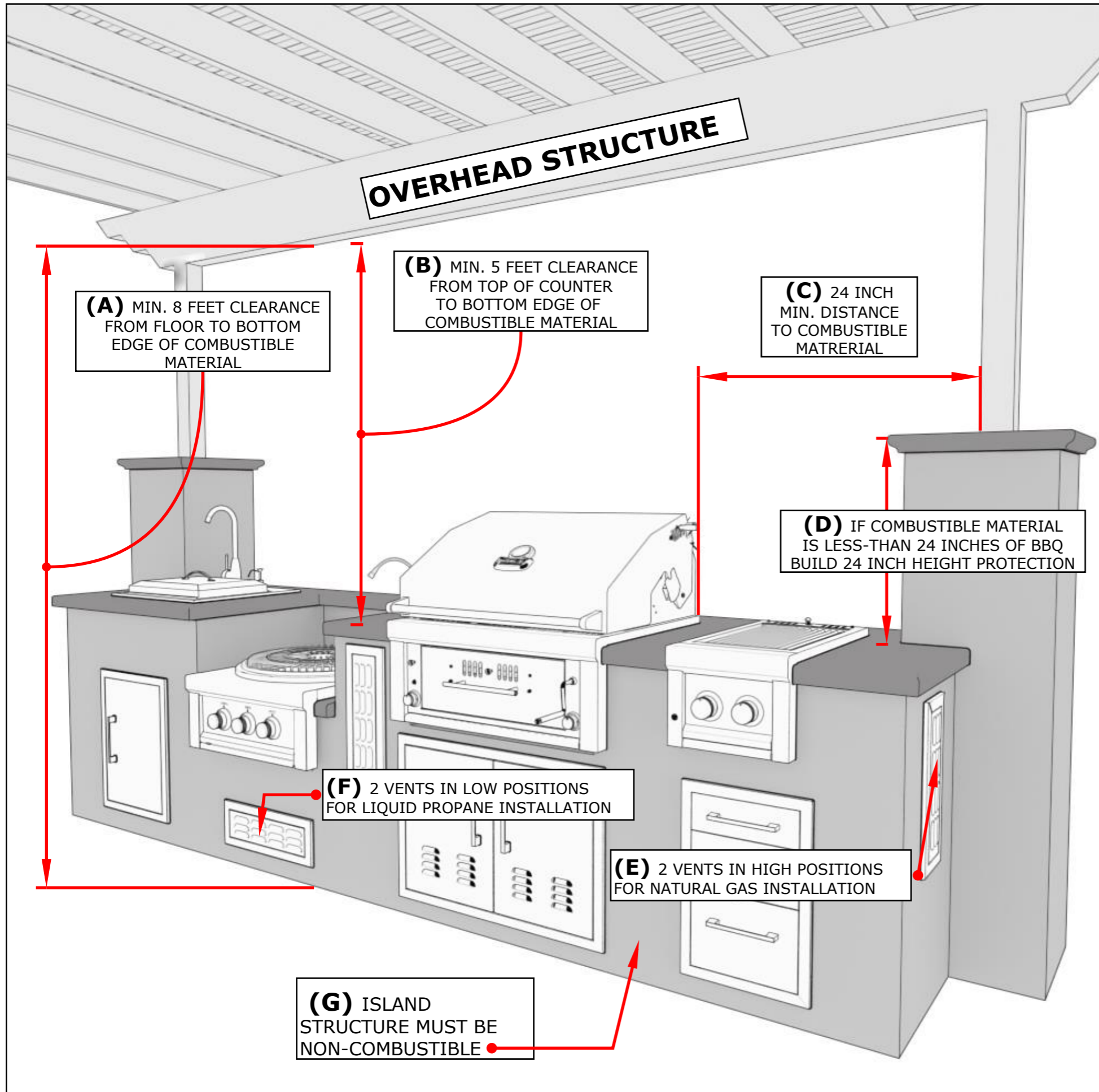
### 6. Allow for Ventilation

The Grill is engineered with special vents on the back of unit, which allow proper airflow out of the back of grill. Be sure to allow a minimum of 6" behind grill for proper air ventilation and to allow hood to open properly. Push grill all the way into cut-out, so there are no gaps present inside of island frame and grill control panel is flush against island wall. Review the cut-out requirements and notch-out corner cuts.



CUT-OUT MEASUREMENTS	
<b>A</b>	DEPTH 22 INCHES
<b>B</b>	HEIGHT 12-3/4 INCHES
<b>C</b>	WIDTH 27-1/2 INCHES
<b>D</b>	COUNTER CORNER NOTCH 1-3/4 INCH BY OVERHANG
<b>E</b>	VENT OPENING 3/4 INCH HEIGHT

MINIMUM DISTANCES	
CUT-OUT BACK LINE TO WALL	8 INCH DEPTH
COUNTER TO VENT HOOD	36 INCH HEIGHT
DISTANCE TO COMBUSTIBLE MATERIAL	24 INCH DISTANCE



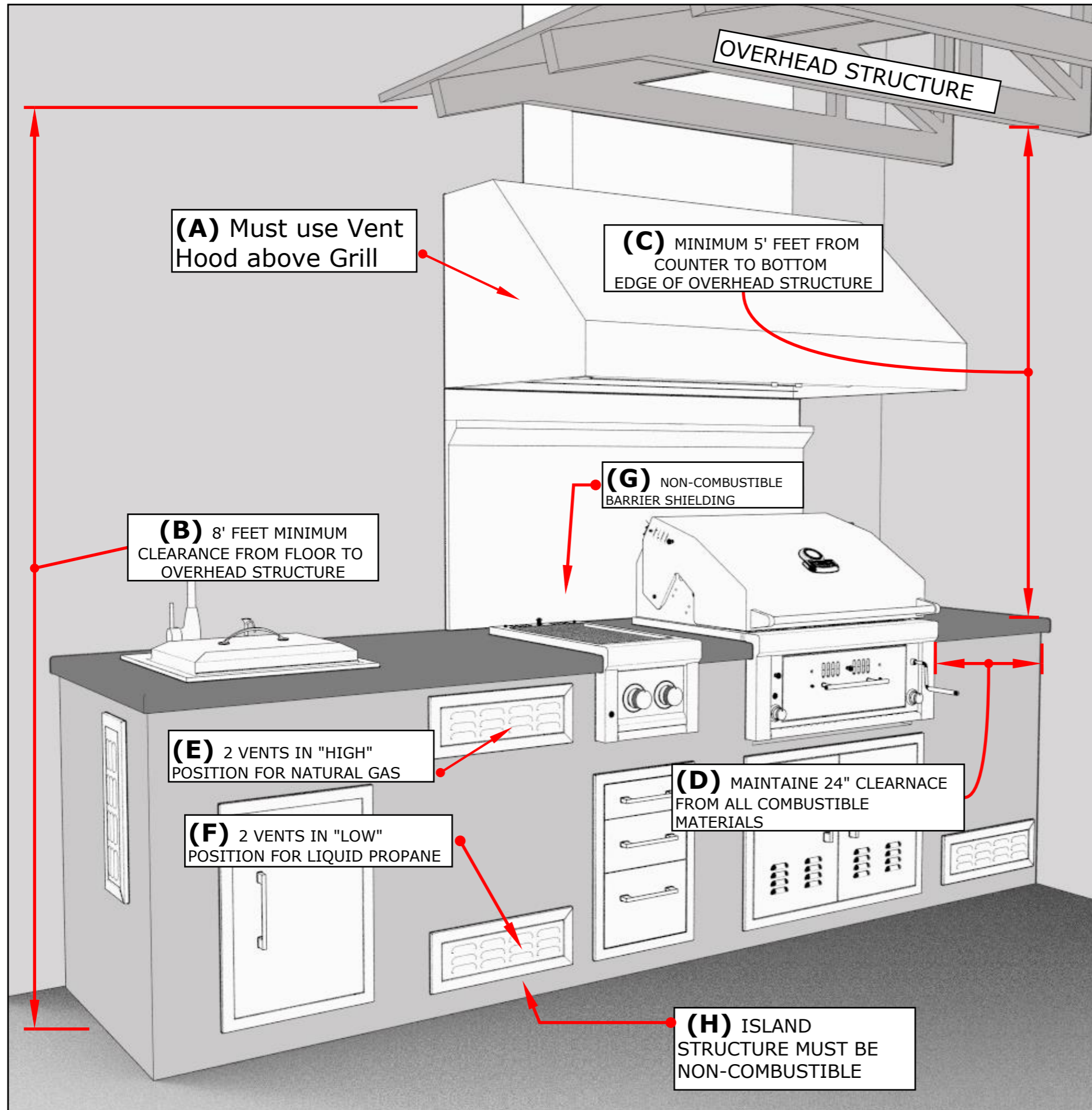
### SPECIFICATIONS

<b>A</b>	MINIMUM CLEARANCE FROM FLOOR TO BOTTOM EDGE OF COMBUSTIBLE MATERIAL	<b>8 FEET</b>
<b>B</b>	MINIMUM CLEARANCE FROM TOP OF COUNTER TO BOTTOM EDGE OF COMBUSTIBLE MATERIAL	<b>5 FEET</b>
<b>C</b>	MINIMUM DISTANCE TO ANY COMBUSTIBLE MATERIAL	<b>24 INCHES</b>
<b>D</b>	IF COMBUSTIBLE MATERIAL IS LESS THAN 24 INCHES OF BBQ, BUILD 24 INCH HEIGHT PROTECTION BARRIER	
<b>E</b>	MINIMUM 2 VENTS IN "HIGH" POSITION FOR NATURAL GAS INSTALLATION	
<b>F</b>	MINIMUM 2 VENTS IN "LOW" POSITION FOR PROPANE GAS INSTALLATION	
<b>G</b>	ISLAND STRUCTURE MUST BE NON-COMBUSTIBLE OTHERWISE YOU MUST USE GRILL JACKET UNDER ALL GAS APPLIANCES, WE RECOMMEND SUNSTONE'S DESIGNER SERIES CABINET ISLANDS	

**ATTENTION:** All Gas Grill Installations MUST HAVE MINIMUM TWO AIR-FLOW VENTS, either in ELEVATED POSITION for Natural Gas or LOWERED POSITION for Liquid Propane. Your Warranty may be VOID if island does not meet basic setup requirements.

**ATTENTION:** Gas conversion kits are available from Customer care by dialing 888-934-9449. When ordering gas conversion kits, have the model number, and the type of gas (natural or LP).

**ATTENTION:** Never build an enclosure under the Grill or partition side walls, the Grill must be Free Hanging supported by the countertop only! Must have clear access to underside of Grill within reach of at least Two Vents.



### SPECIFICATIONS

<b>A</b>	MUST USE VENT HOOD ABOVE GRILL FOR ENCLOSED STRUCTURES	
<b>B</b>	MIN. CLEARANCE FROM FLOOR TO OVERHEAD STRUCTURE	<b>8 FEET</b>
<b>C</b>	MIN. DISTANCE FROM COUNTER TO BOTTOM OF OVERHEAD STRUCTURE	<b>5 FEET</b>
<b>D</b>	MINIMUM CLEARANCE FROM ALL COMBUSTIBLE MATERIALS	<b>24 INCHES</b>
<b>E</b>	2 VENTS IN "HIGH" POSITION FOR NATURAL GAS	
<b>F</b>	2 VENTS IN "LOW" POSITION FOR LIQUID PROPANE	
<b>G</b>	Install Non-Combustible Barrier Shielding, Stainless Steel Sheet is recommended.	
<b>H</b>	ISLAND STRUCTURE MUST BE NON-COMBUSTIBLE OTHERWISE YOU MUST USE GRILL JACKET UNDER ALL GAS APPLIANCES, WE RECOMMEND SUNSTONE'S DESIGNER SERIES CABINET ISLANDS	



**BODILY INJURY:** Failure to maintain required clearances creates a fire hazard that may result in property damage or serious personal injury.



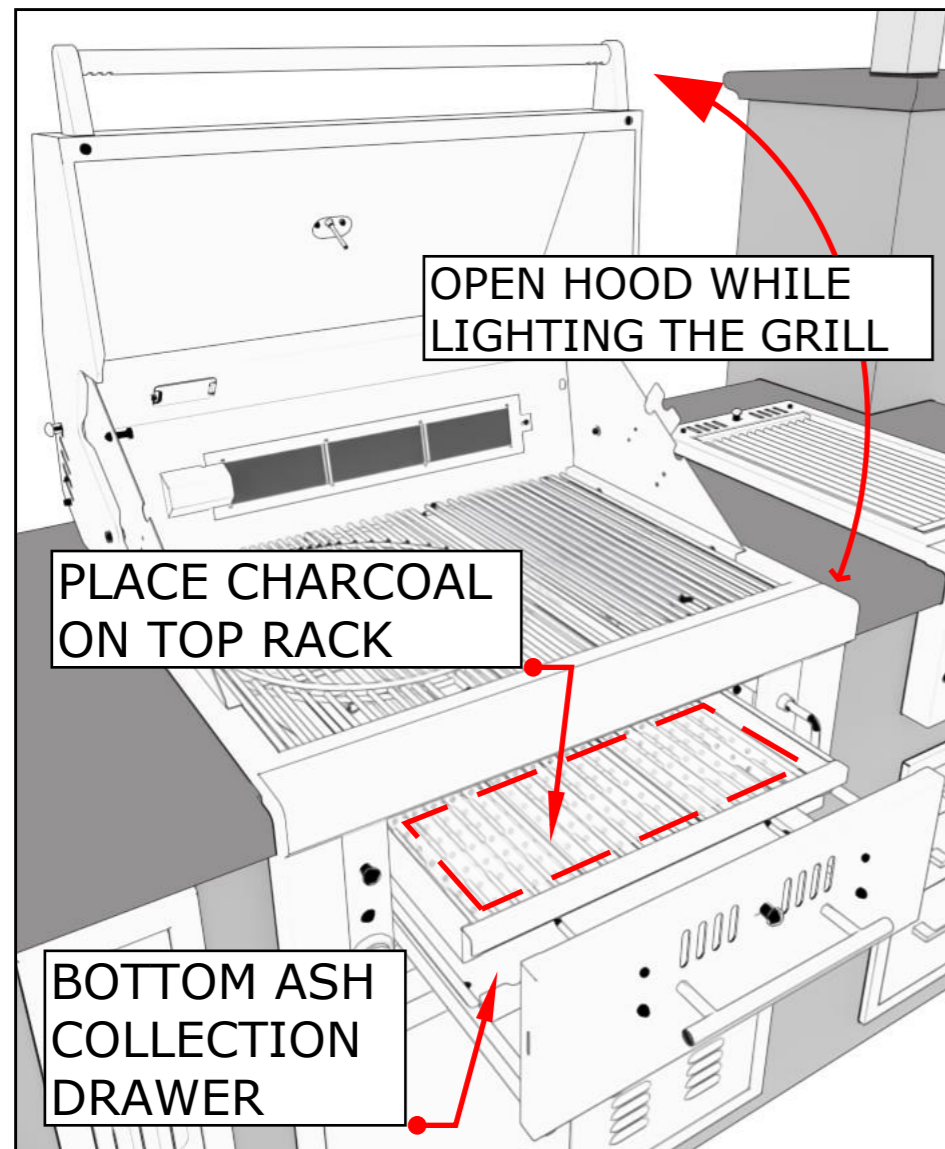
**ATTENTION:** Always take a leak test before lighting the grill to prevent a possible fire or explosion. Never store a spare propane cylinder in the vicinity of this Grill, or in the vicinity of any other potential heat source. Never attempt to attach this grill to the self-contained LP gas system. Do not use grill until leak testing.



**ATTENTION:** Never operate the grill unattended.



**IMPORTANT:** When Igniting the Grill – Always keep the Hood Open.



### **OPEN THE HOOD!**

Keep Hood Open & ensure Grill Control Knobs are in the OFF position

#### **1. OPEN THE DRAWER**

- Stack charcoal briquettes or wood into a pyramid-shaped pile on top of the charcoal grate or pan.
- We recommend using 2 pounds (approximately 30 briquettes) to start your fire, adding more as needed. – CLOSE DRAWER -

#### **2. LIGHT THE MAIN BURNERS**

- Turning the Right KNOB counter-clockwise to HIGH
- You will hear a loud click as the electronic lighter produces a spark. Listen for the sound of the gas igniting and look for a flame through the cooking grids. If the burner does not light on the first try, repeat immediately.
- If the burner does not light in 5 seconds then wait five minutes until the gas clears before attempting to light it again. Repeat the procedure or try the manual lighting options in manual.

#### **3. SUCCESSFUL LIGHTING**

- Upon lighting the grill repeat the process on the other IR Burner you wish to light - see below:

#### **4. LIGHT THE BACK IR-BURNER**

- SLOWLY turn the Left KNOB counter-clockwise to HIGH
- You will hear a loud click as the electronic lighter produces a spark. Listen for the sound of the gas igniting and look for a flame spreading across the ceramic plates from left to right. If the burner does not light on the first try, repeat immediately.
- If the burner does not light in 5 seconds then wait five minutes until the gas clears before attempting to light it again. Repeat the procedure if not lighting. The back IR-Burner requires additional time for first time lighting.

#### **5. SHUT OFF BURNERS**

- To shut off the burners, rotate the knob and turn to OFF.
- It is normal to hear a popping sound when the burners are turned off.