

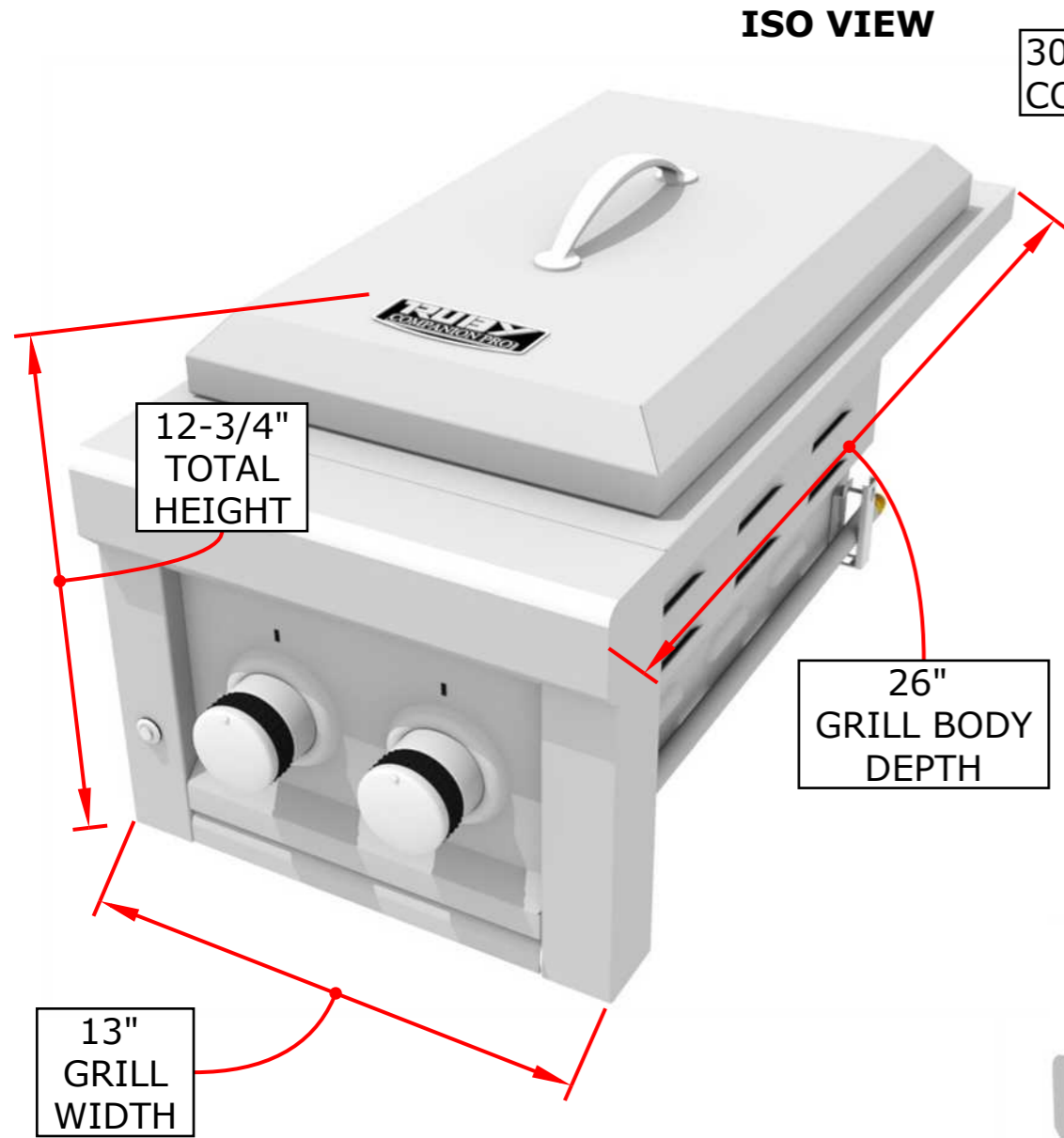
PRODUCT
Item No.
 SUN13CPRO-LP/NG

DESCRIPTION
 SUNSTONE RUBY SERIES 13"
 Companion Pro Grill comes with 2 IR
 Burners, Grilling Grids, Flavorizer
 Racks & Cover

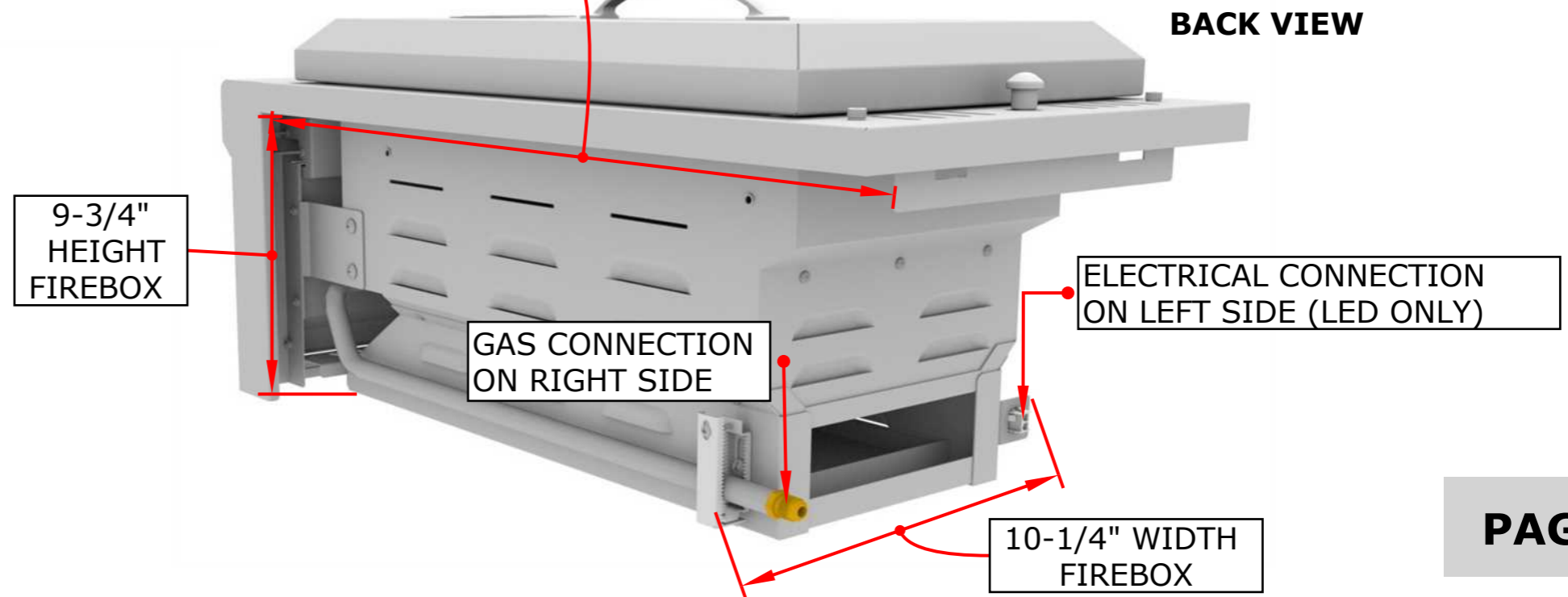
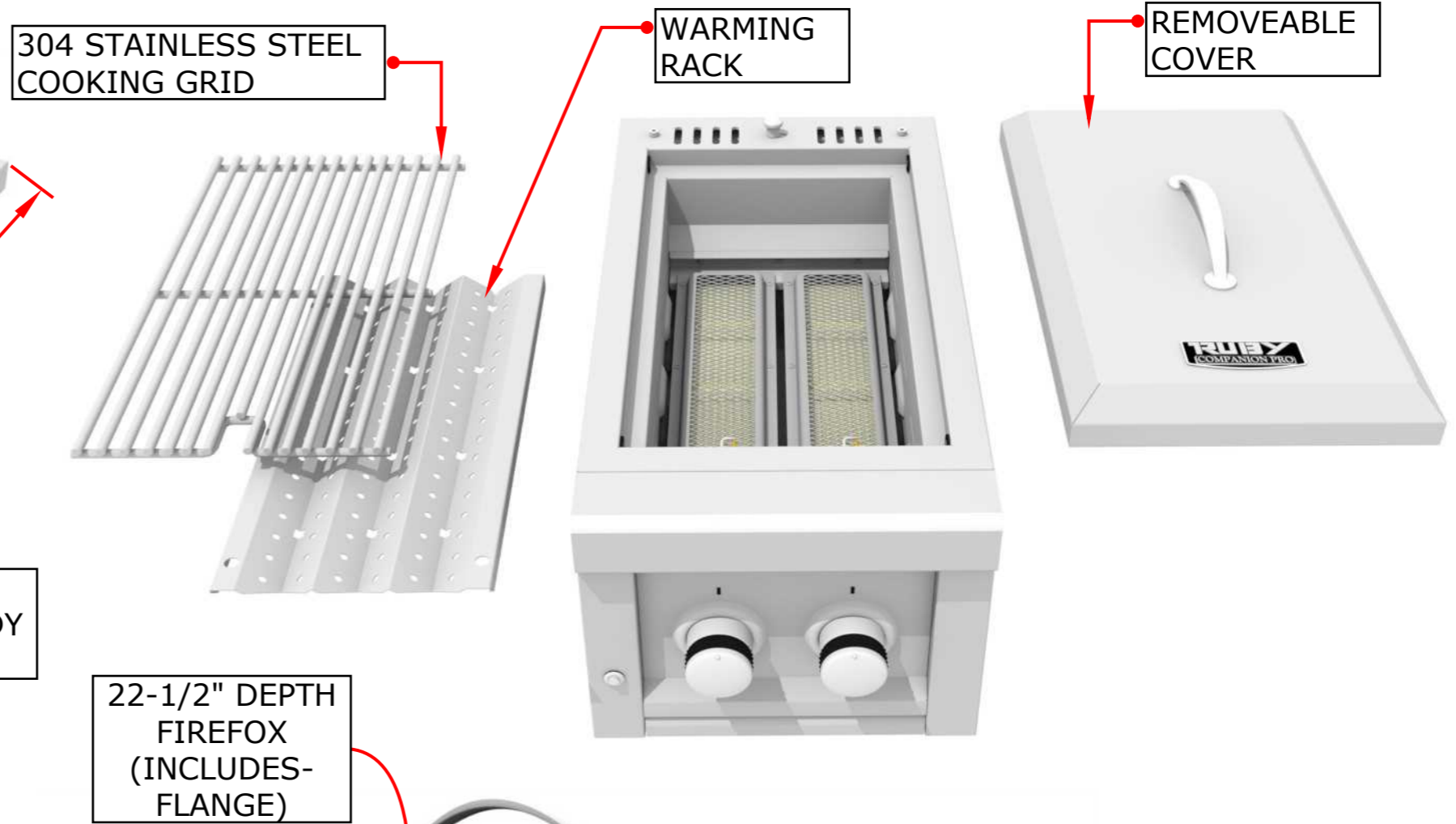
SPECIFICATIONS
 PRODUCT SIZE - 13" W x 12-3/4" H x 26" D
 CUT-OUT - 11" W x 10-1/2" H x 22" D
 WEIGHT - 44 LBS
 BTU'S - 22,000
 GAS TYPE - LP / NG

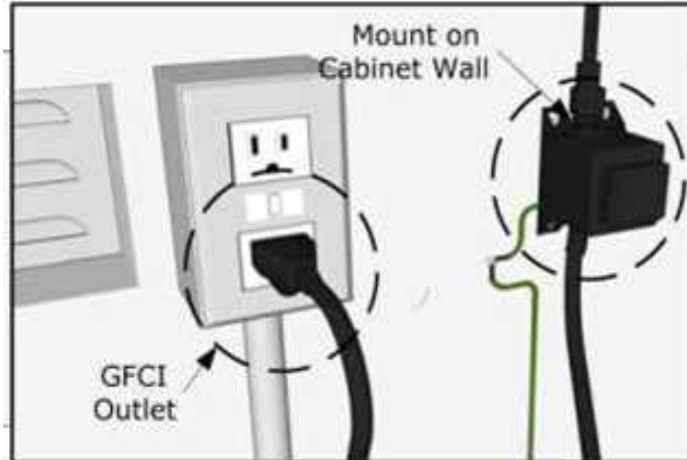
TECHNICAL
888-934-9449

PRODUCT SIZE



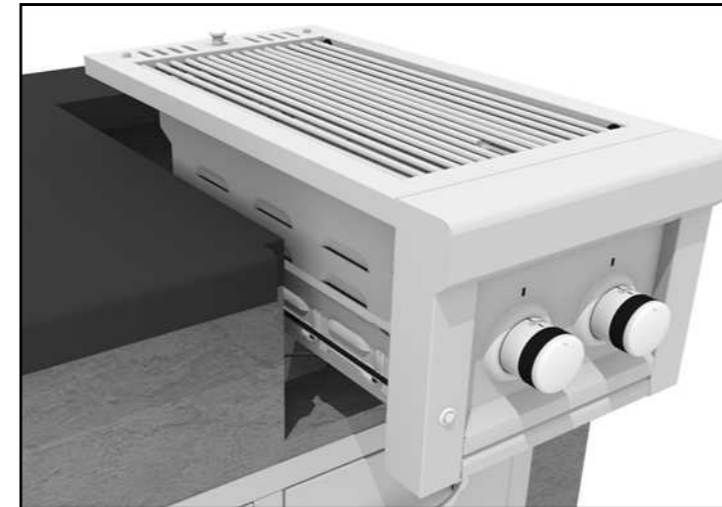
PRODUCT DETAILS





1. Mount Transformer

Using metal screws and attach the transformer to the back inner wall of your island's cabinet wall, somewhere near the already installed GFCI electrical outlet. When you plug the transformer in, double check the GFCI breaker switch, that the outlet has power.



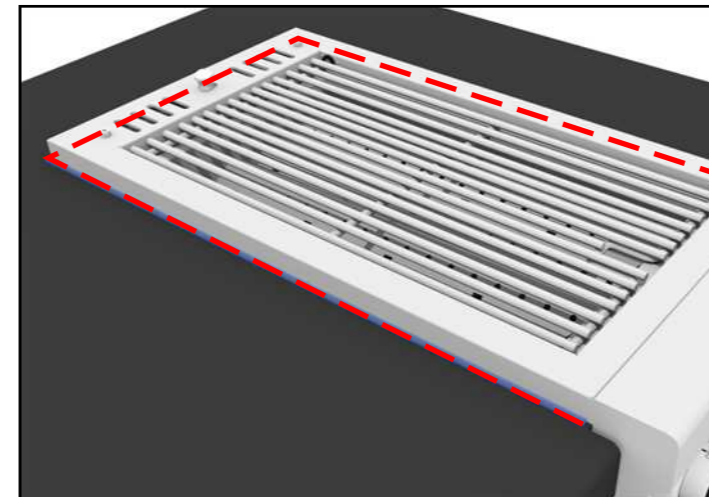
4. Slide Grill in Place

The Grill is designed with an internal built in hanger flange located at the Right, Left and Back sides. The grill flange allows it to hang by the three supported edges on the right, left and back. The front control panel requires no supporting edge; it is designed to hang down the front of your cut-out. Never build any enclosure below the grill preventing the grill from properly venting heat, or gas.



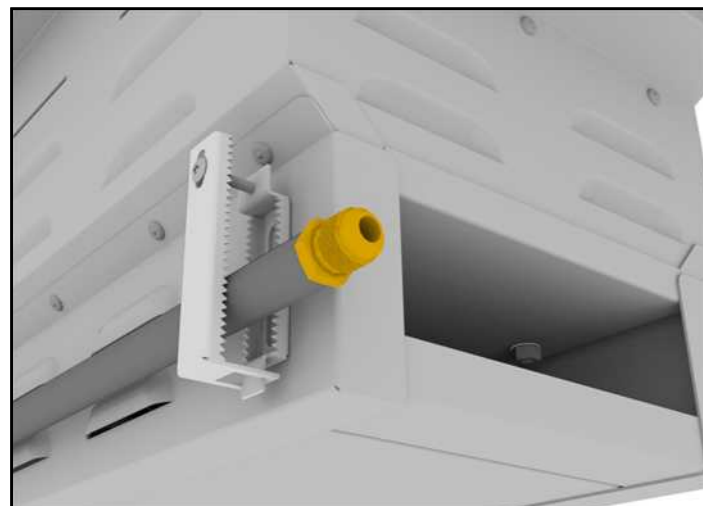
2. Elect. Connection

Locate the Light Button on Left side of grill control panel. The Transformer's electrical connection to grill is located at the back left under-side. The connection clips together to form a secure connection. Double check that all wires are tightly pushed into plug sockets, so all wires make proper connections. You can tuck wire into body of grill or island frame, so it's up and out of the way.



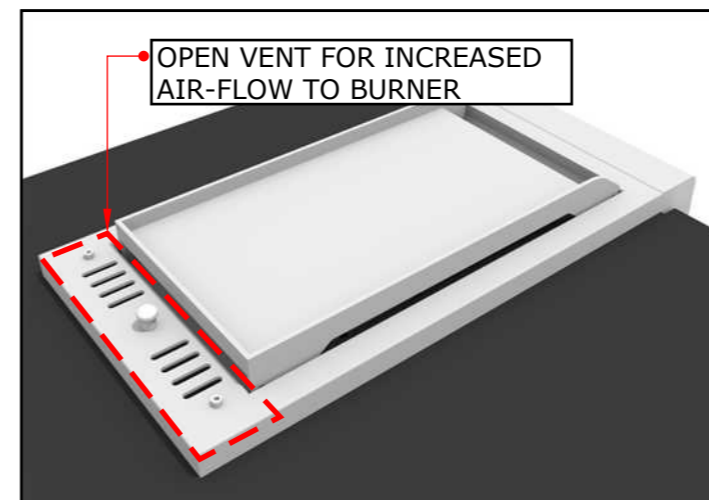
5. Clear Silicone Seal

It is recommended to seal all three outer edges using Clear-Silicone which will prevent any rain water or insects from getting down into island enclosure and or water buildup in the drip pan of grill.



3. Gas Line Connection

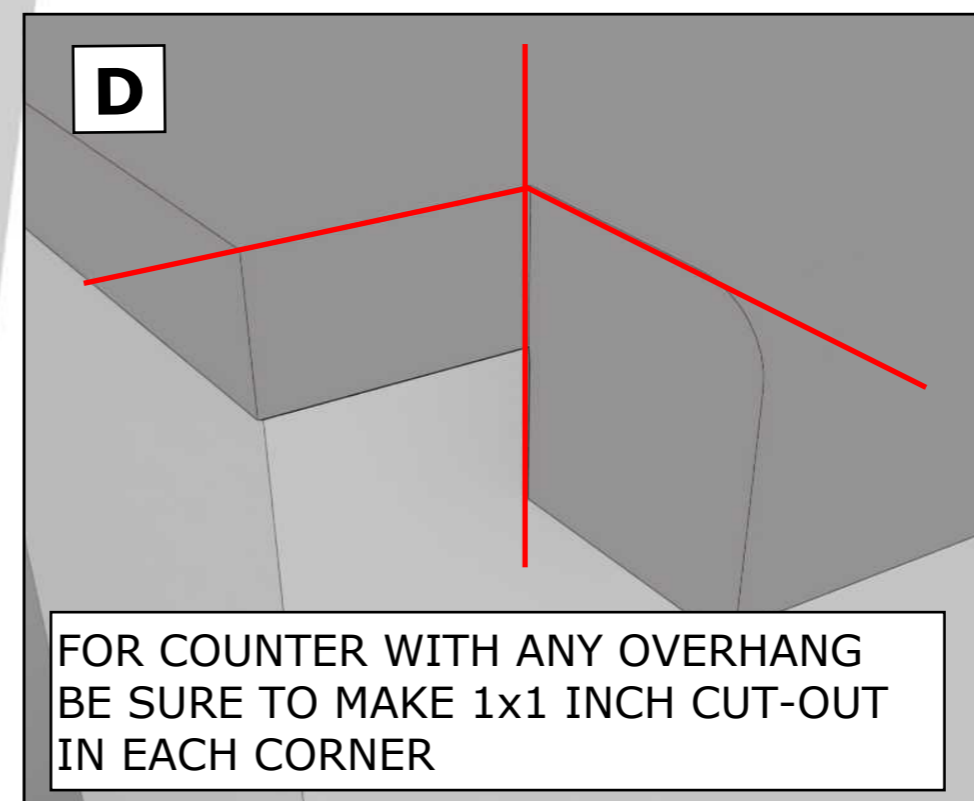
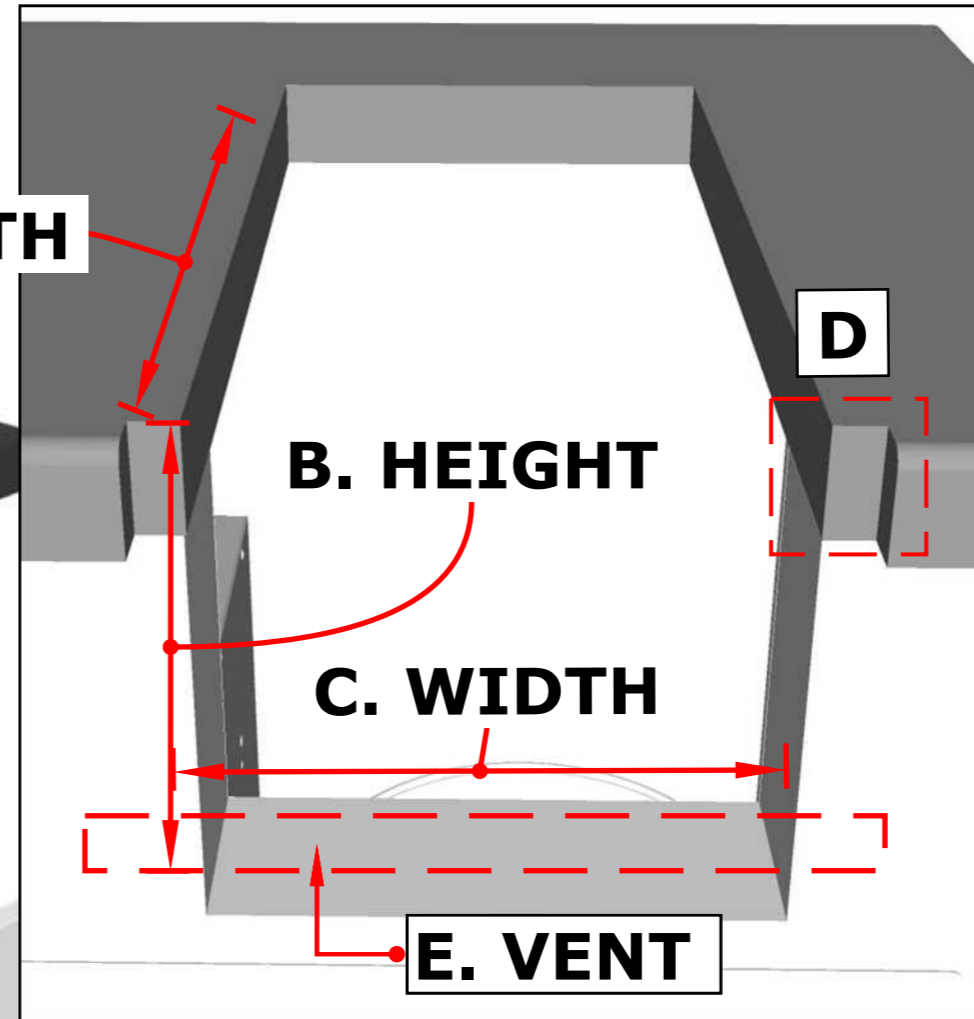
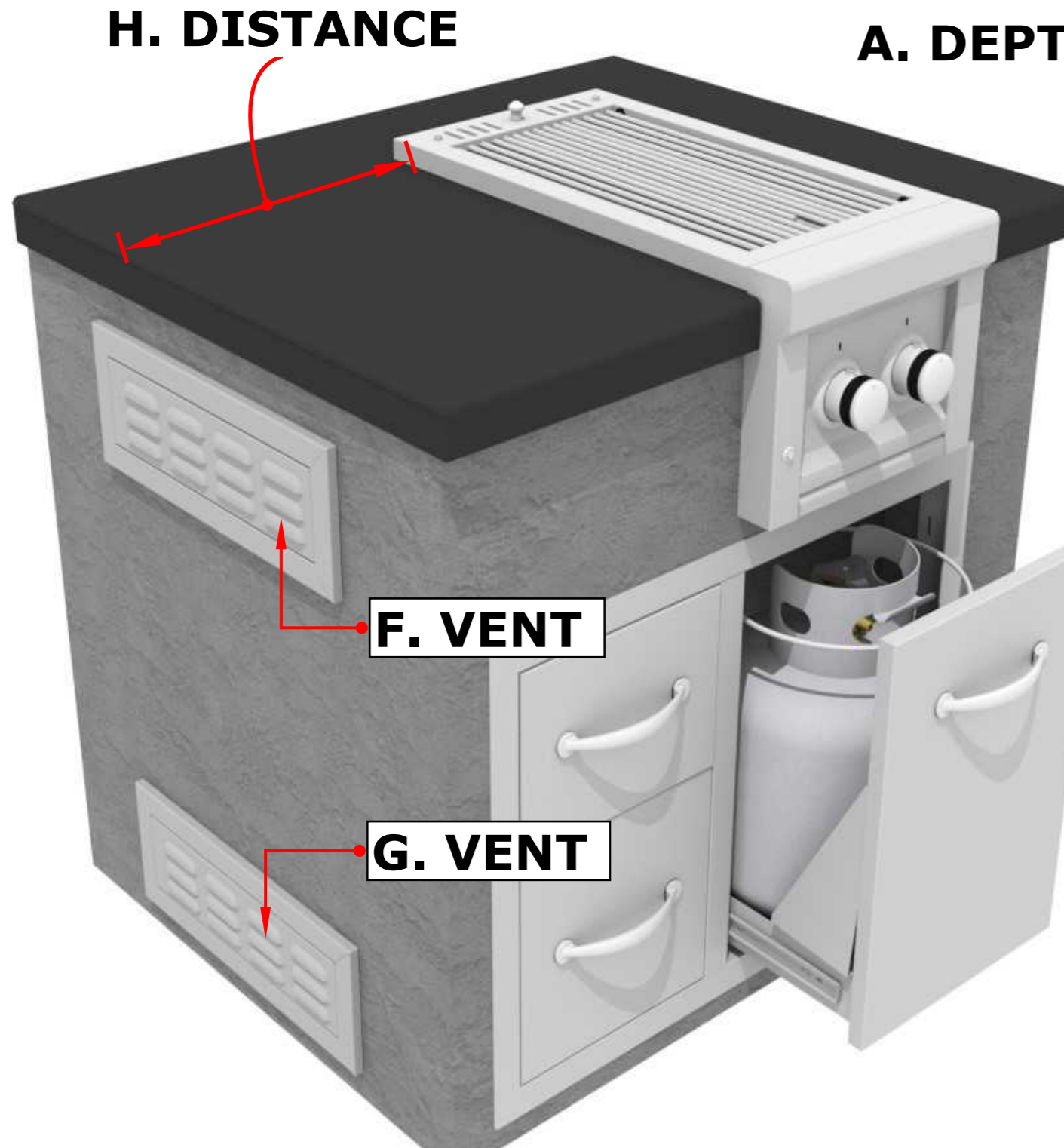
See the BACK-RIGHT UNDER-SIDE – This is where the Gas Line will connect to the Grill. Grill is shipped as either LP or NG gas type. Recommendation to have an 18" hose to allow grill to be pulled out if necessary. For LP & NG Gas Conversion help call 888-934-9449 for technical support.



6. Allow for Ventilation

The Grill is engineered with special vents at the back of unit, which allow proper airflow into the underside firebox and IR-Burners. It is important to open this vent specifically when using the Griddle, Charcoal Tray or Searing Grate to allow proper air-flow to burners and venting excess heat

GRILL IS FREE-HANGING FROM COUNTER TOP ONLY. NEVER BUILD SHELF OR ENCLOSURE BELOW THE GRILL.

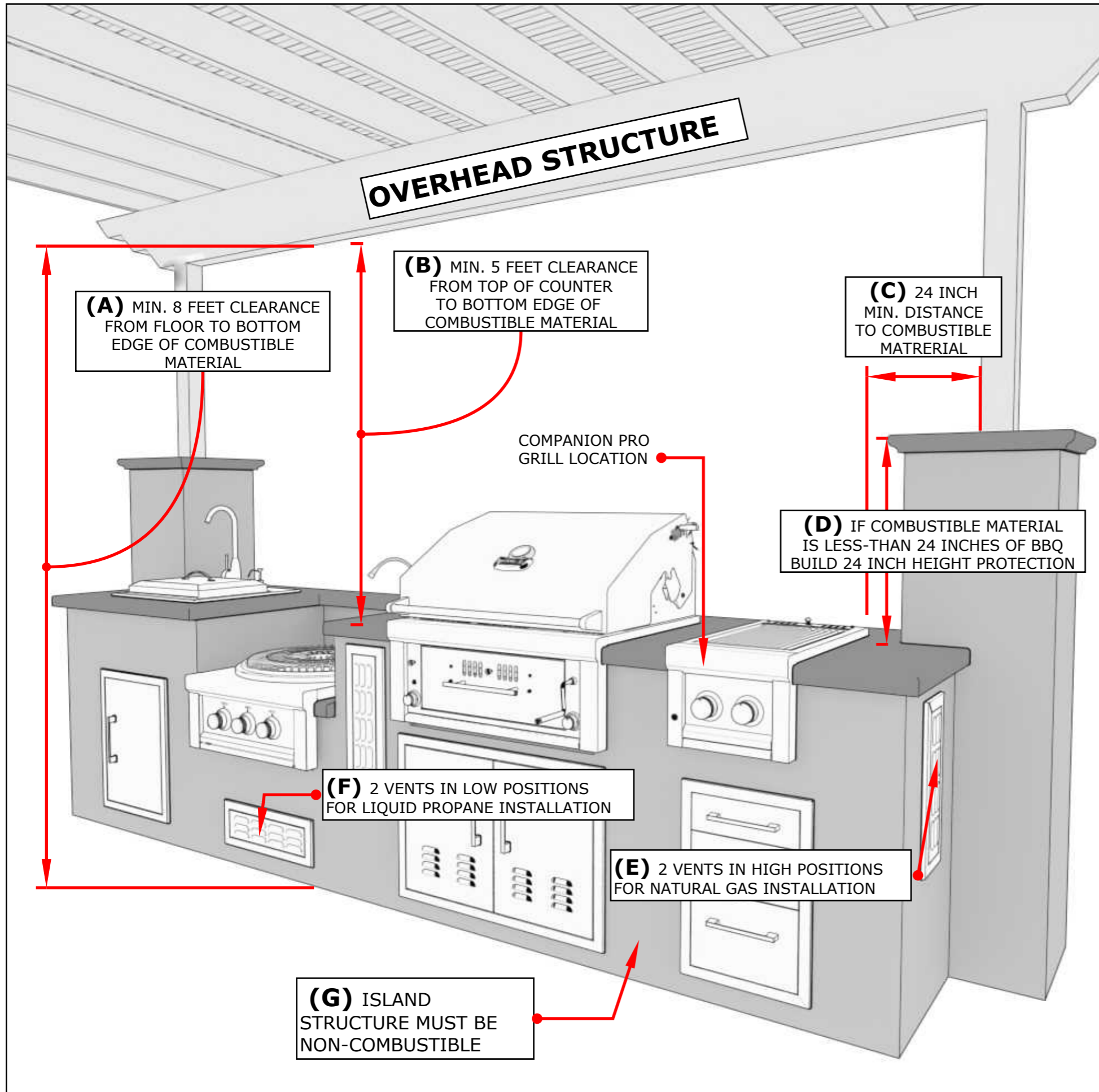


CUT-OUT MEASUREMENTS

A	DEPTH
	22 INCHES
B	HEIGHT
	10-1/2 INCHES
C	WIDTH
	11 INCHES
D	COUNTER CORNER NOTCH
	13-1/4 INCH OVERALL NOTCH OUT WIDTH
E	VENT OPENING
	3/4 INCH HEIGHT
F	Place 2 Vents in High Position for Natural Gas
G	Place 2 Vents in Low Position for Liquid Propane
H	DISTANCE TO COMBUSTIBLE MATERIAL
	24 INCH DISTANCE

CUT-OUTS ARE GIVEN 3/4" MINIMUM AIR FLOW VENT BELOW THE GRILL DRIP PAN.

FOR COUNTER WITH ANY OVERHANG BE SURE TO MAKE 1x1 INCH CUT-OUT IN EACH CORNER

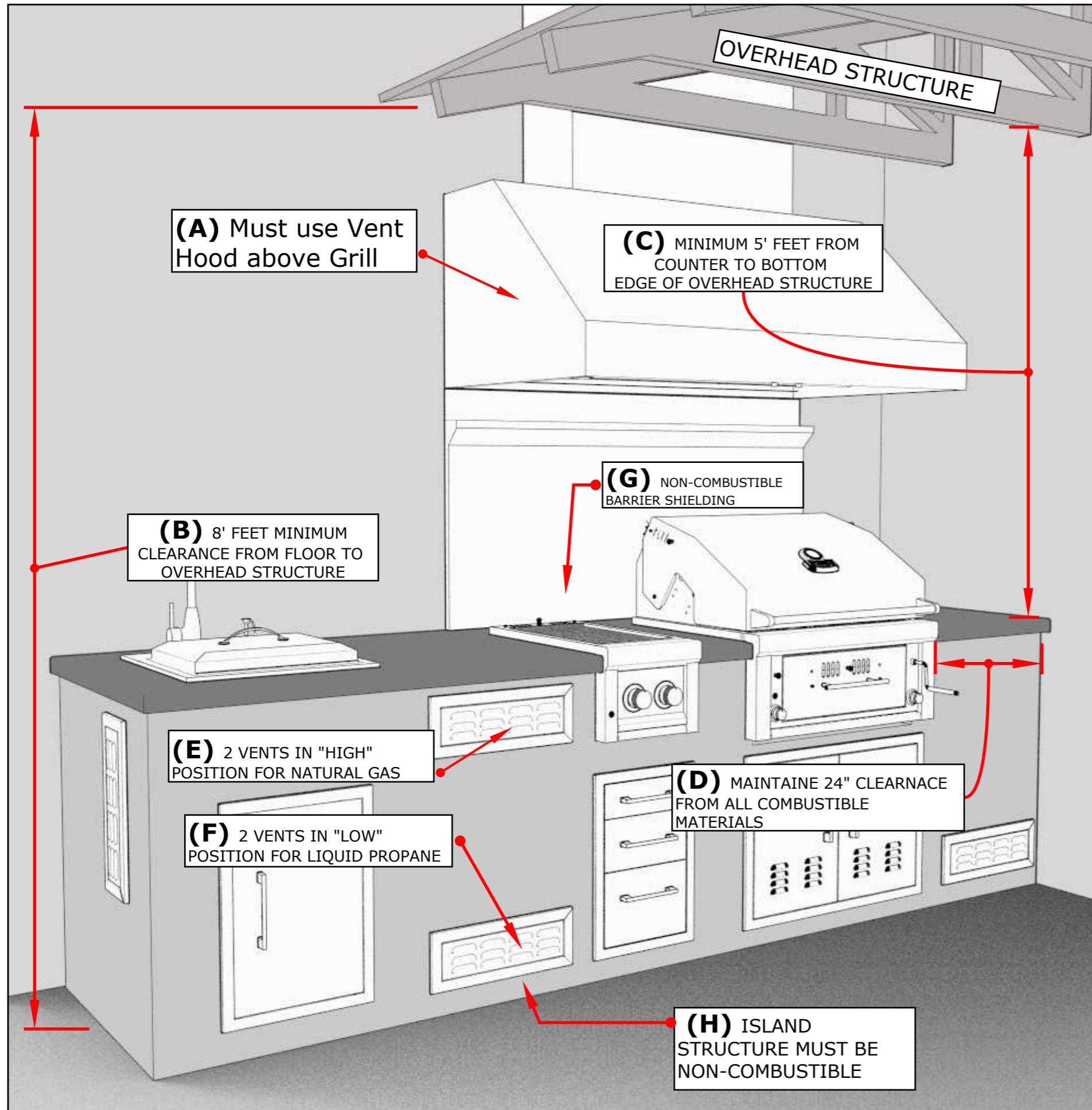


SPECIFICATIONS

A	MINIMUM CLEARANCE FROM FLOOR TO BOTTOM EDGE OF COMBUSTIBLE MATERIAL	8 FEET
B	MINIMUM CLEARANCE FROM TOP OF COUNTER TO BOTTOM EDGE OF COMBUSTIBLE MATERIAL	5 FEET
C	MINIMUM DISTANCE TO ANY COMBUSTIBLE MATERIAL	24 INCHES
D	IF COMBUSTIBLE MATERIAL IS LESS THAN 24 INCHES OF BBQ, BUILD 24 INCH HEIGHT PROTECTION BARRIER	
E	MINIMUM 2 VENTS IN "HIGH" POSITION FOR NATURAL GAS INSTALLATION	
F	MINIMUM 2 VENTS IN "LOW" POSITION FOR PROPANE GAS INSTALLATION	
G	ISLAND STRUCTURE MUST BE NON-COMBUSTIBLE OTHERWISE YOU MUST USE GRILL JACKET UNDER ALL GAS APPLIANCES, WE RECOMMEND SUNSTONE'S DESIGNER SERIES CABINET ISLANDS	

⚠ ATTENTION: All Gas Grill Installations MUST HAVE MINIMUM TWO AIR-FLOW VENTS, either in ELEVATED POSITION for Natural Gas or LOWERED POSITION for Liquid Propane. Your Warranty may be VOID if island does not meet basic setup requirements.

⚠ ATTENTION: Never build an enclosure under the Grill or partition side walls, the Grill must be Free Hanging supported by the countertop only! Must have clear access to underside of Grill within reach of at least Two Vents.



SPECIFICATIONS

A	MUST USE VENT HOOD ABOVE GRILL FOR ENCLOSED STRUCTURES	
B	MIN. CLEARANCE FROM FLOOR TO OVERHEAD STRUCTURE	8 FEET
C	MIN. DISTANCE FROM COUNTER TO BOTTOM OF OVERHEAD STRUCTURE	5 FEET
D	MINIMUM CLEARANCE FROM ALL COMBUSTIBLE MATERIALS	24 INCHES
E	2 VENTS IN "HIGH" POSITION FOR NATURAL GAS	
F	2 VENTS IN "LOW" POSITION FOR LIQUID PROPANE	
G	Install Non-Combustible Barrier Shielding, Stainless Steel Sheet is recommended.	
H	ISLAND STRUCTURE MUST BE NON-COMBUSTIBLE OTHERWISE YOU MUST USE GRILL JACKET UNDER ALL GAS APPLIANCES, WE RECOMMEND SUNSTONE'S DESIGNER SERIES CABINET ISLANDS	



BODILY INJURY: Failure to maintain required clearances creates a fire hazard that may result in property damage or serious personal injury.



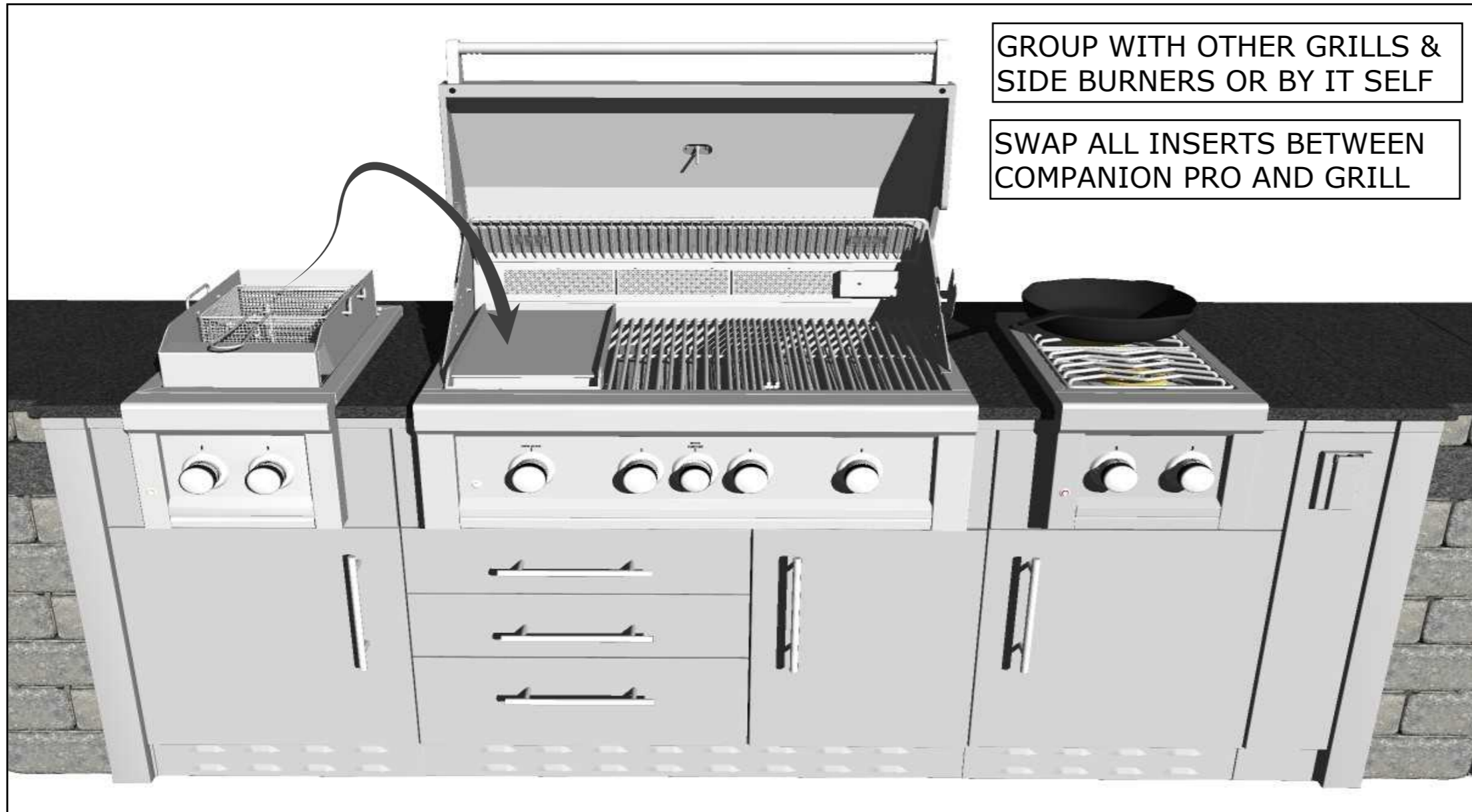
ATTENTION: Always take a leak test before lighting the grill to prevent a possible fire or explosion. Never store a spare propane cylinder in the vicinity of this Grill, or in the vicinity of any other potential heat source. Never attempt to attach this grill to the self-contained LP gas system. Do not use grill until leak testing.



ATTENTION: Never operate the grill unattended.



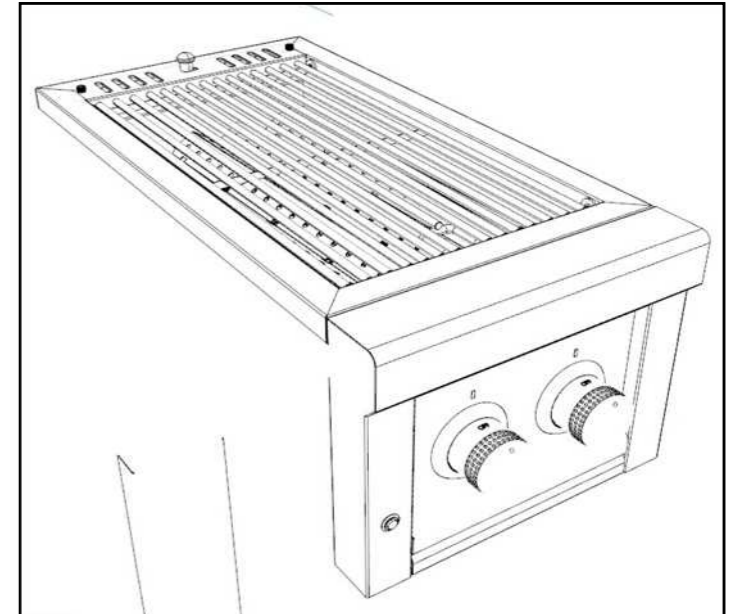
IMPORTANT: When Igniting the Grill – Always keep the cover removed.



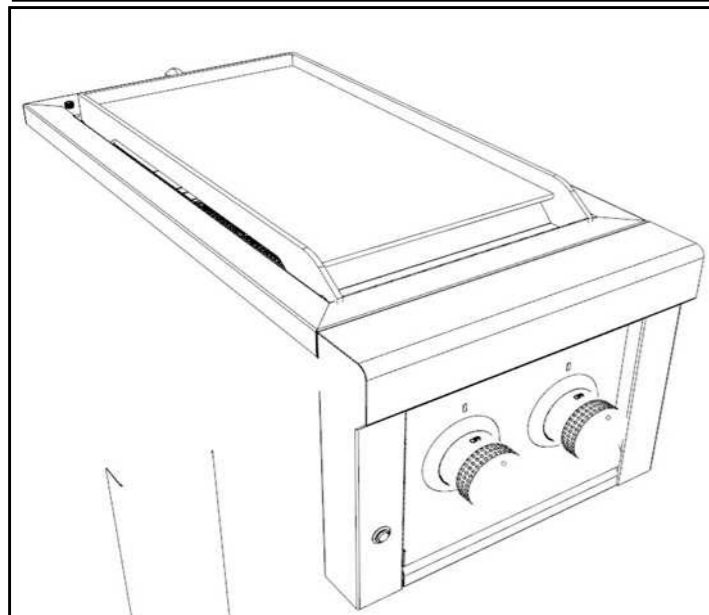
GROUP WITH OTHER GRILLS & SIDE BURNERS OR BY IT SELF

SWAP ALL INSERTS BETWEEN COMPANION PRO AND GRILL

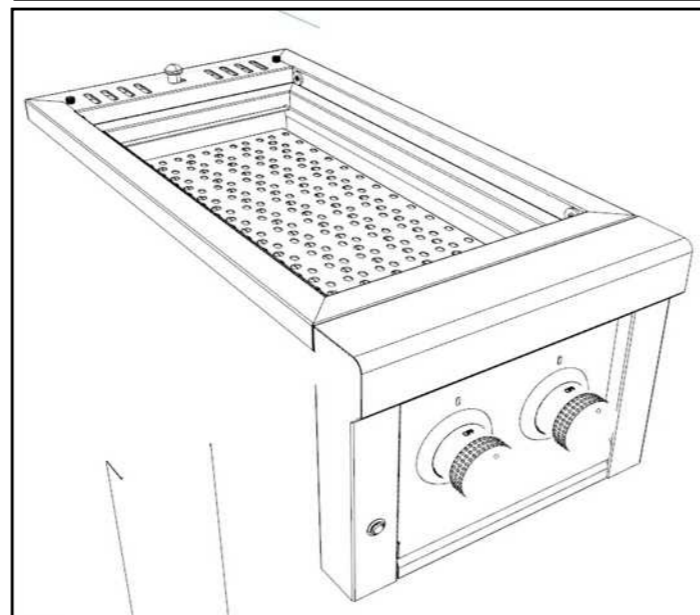
FLAVOR RACK & COOKING GRATE ARE INCLUDED



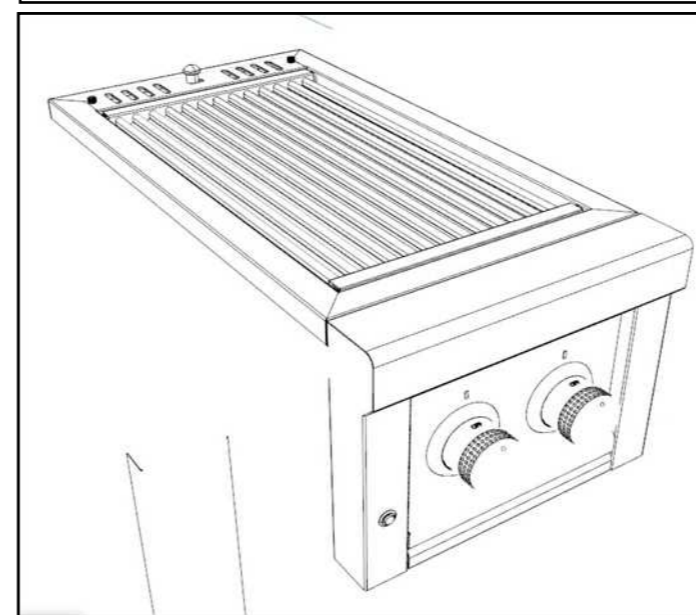
SOLID STEEL GRIDDLE INSERT



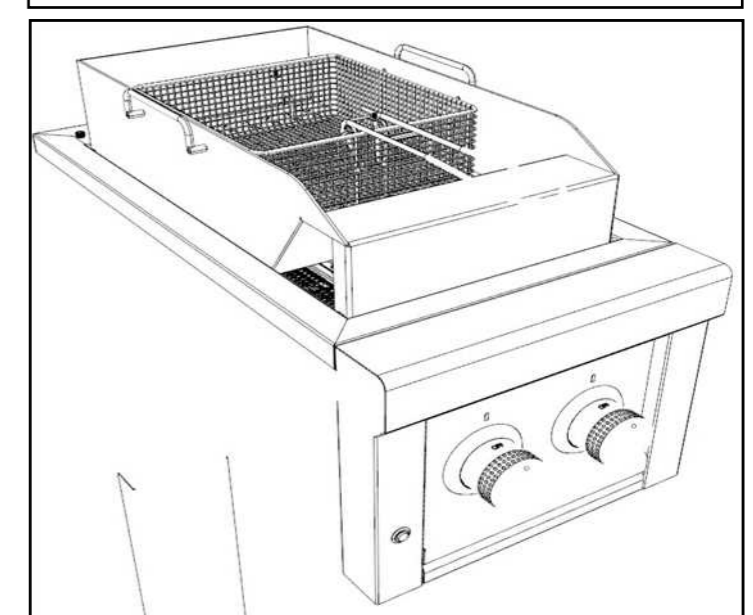
CHARCOAL TRAY + GRATE



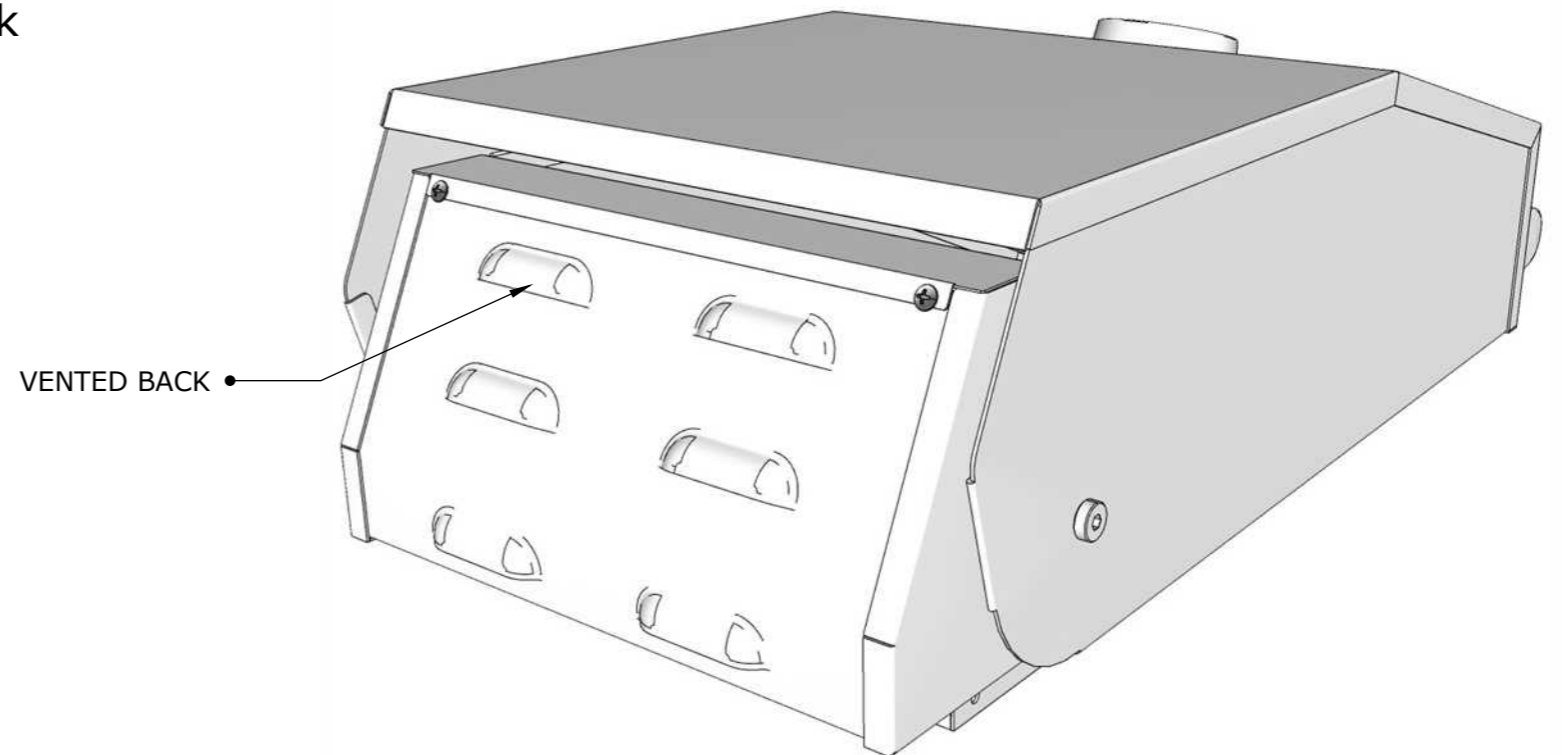
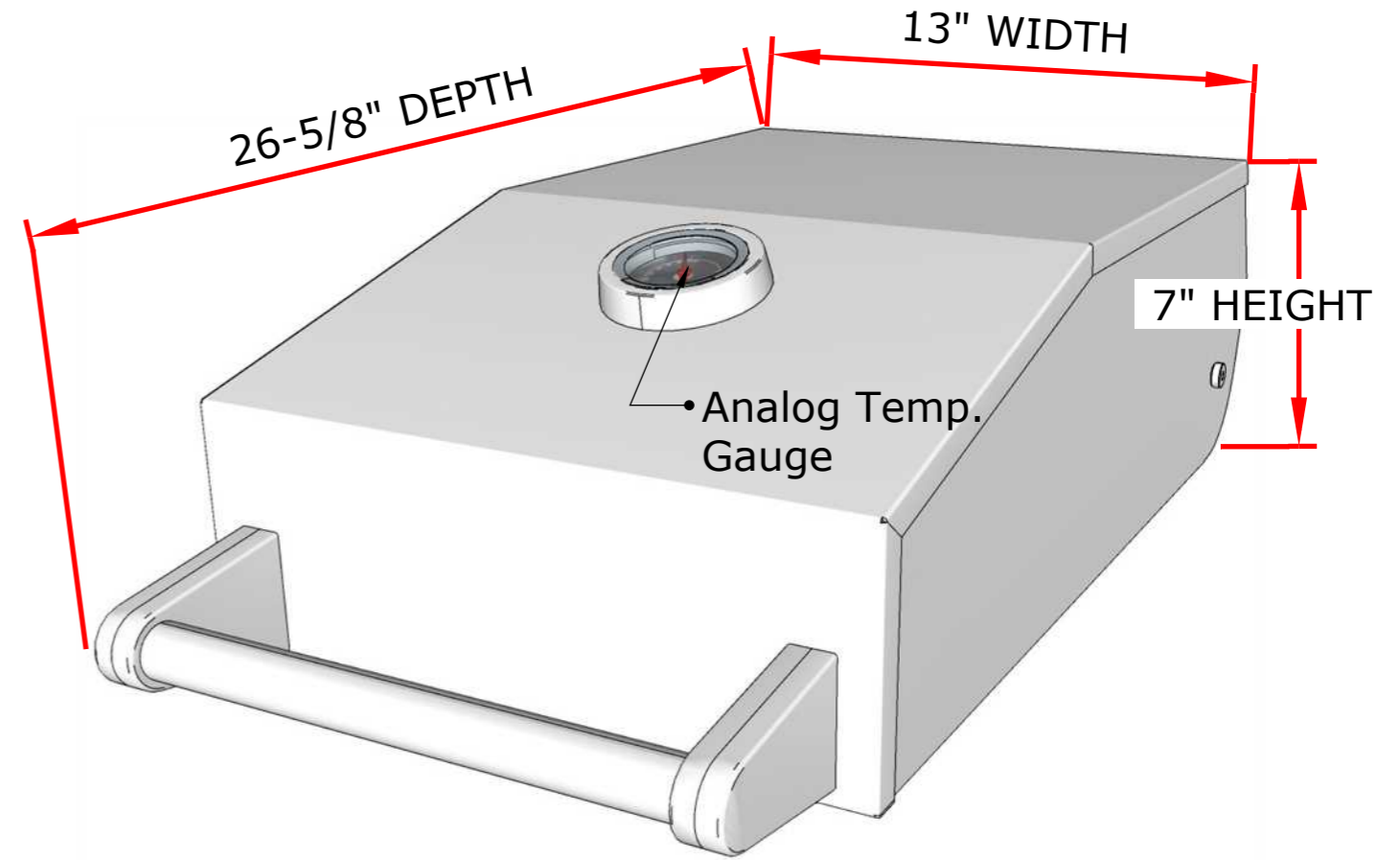
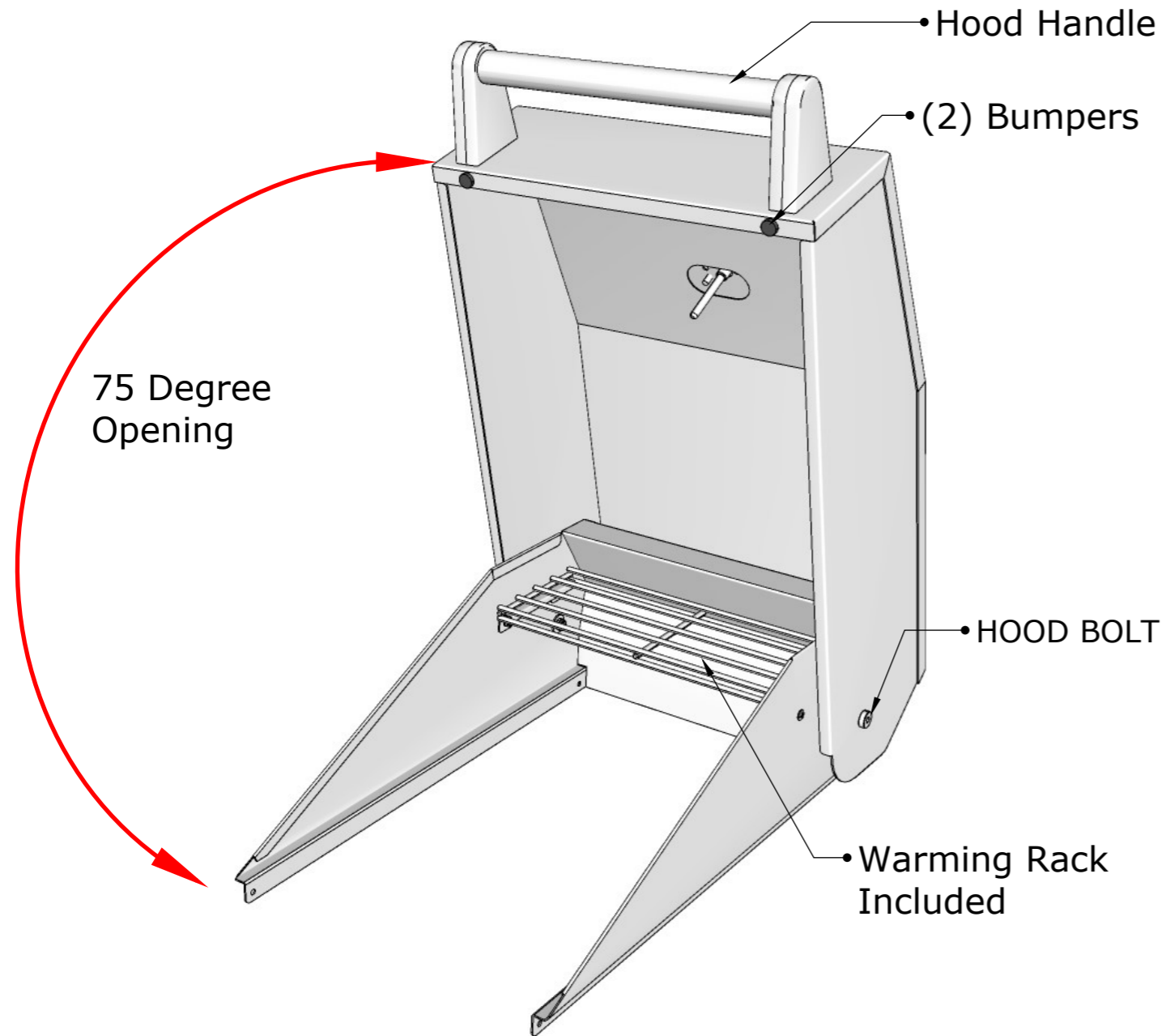
PRO SEAR GRILLING RACK



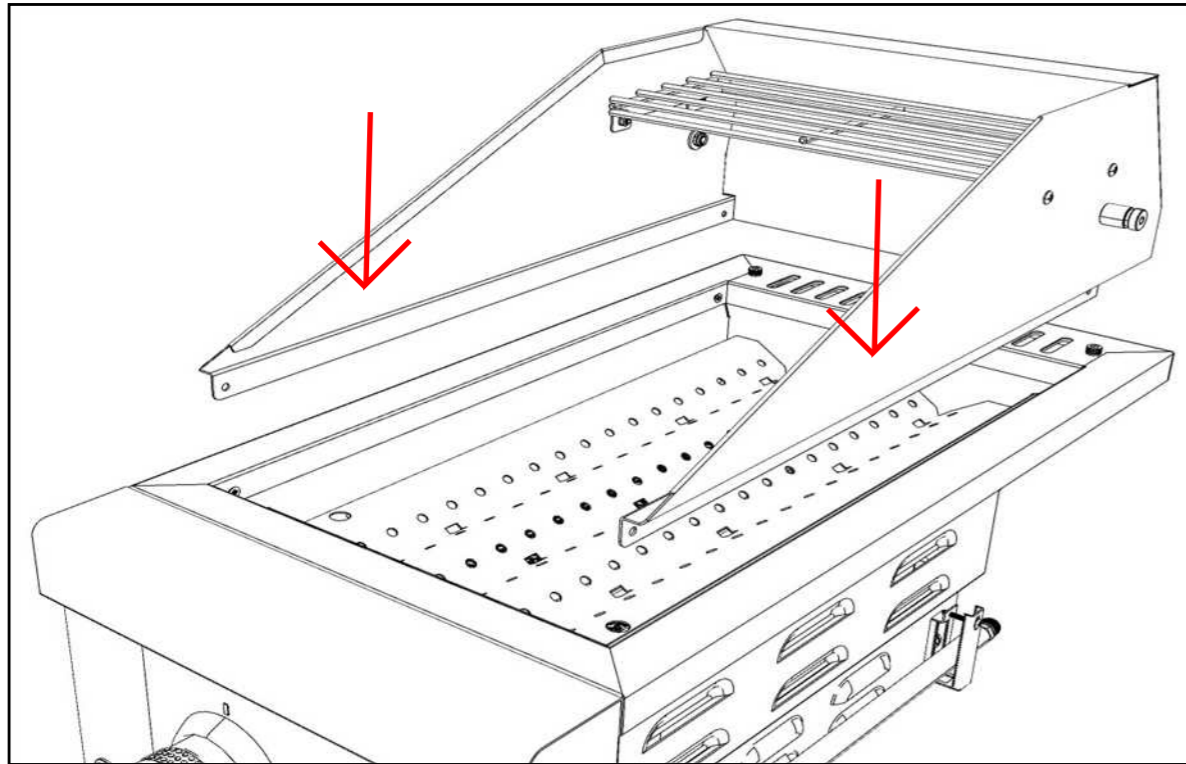
COMMERCIAL SIZE DEEP FRYER



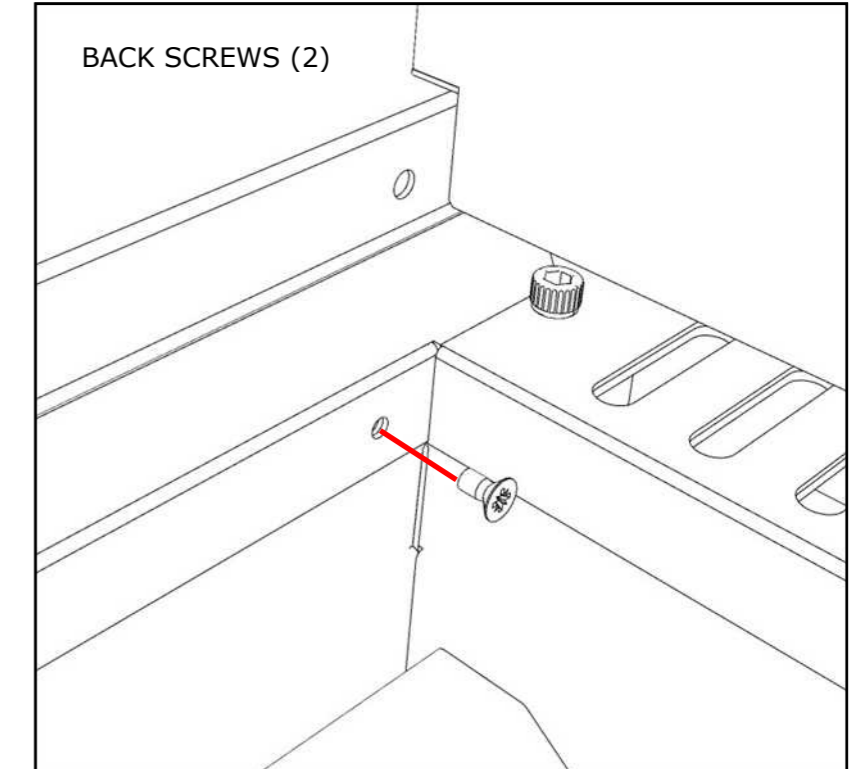
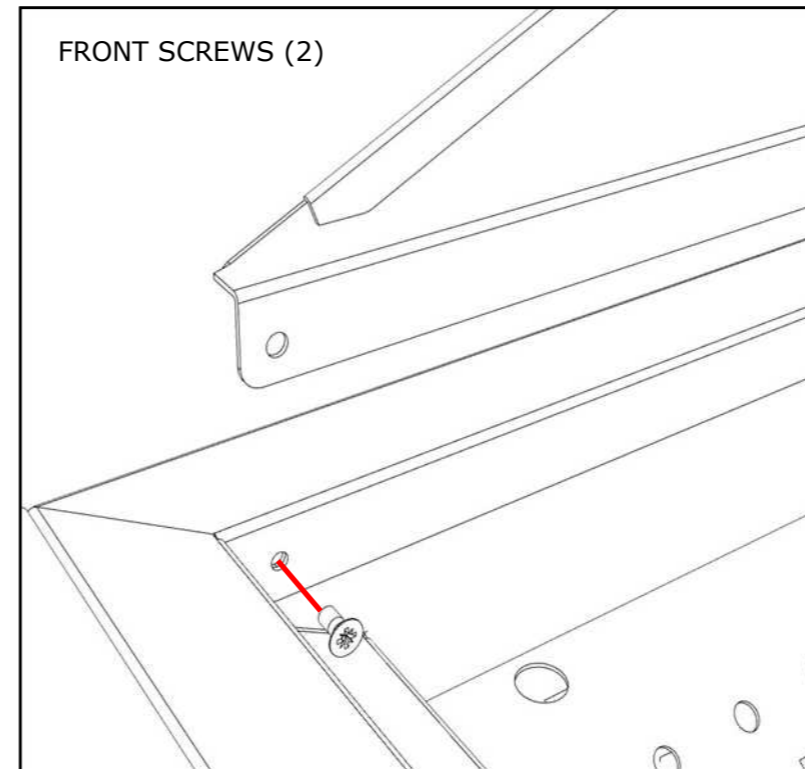
ITEM NO. SUN13CPRO-HOOD



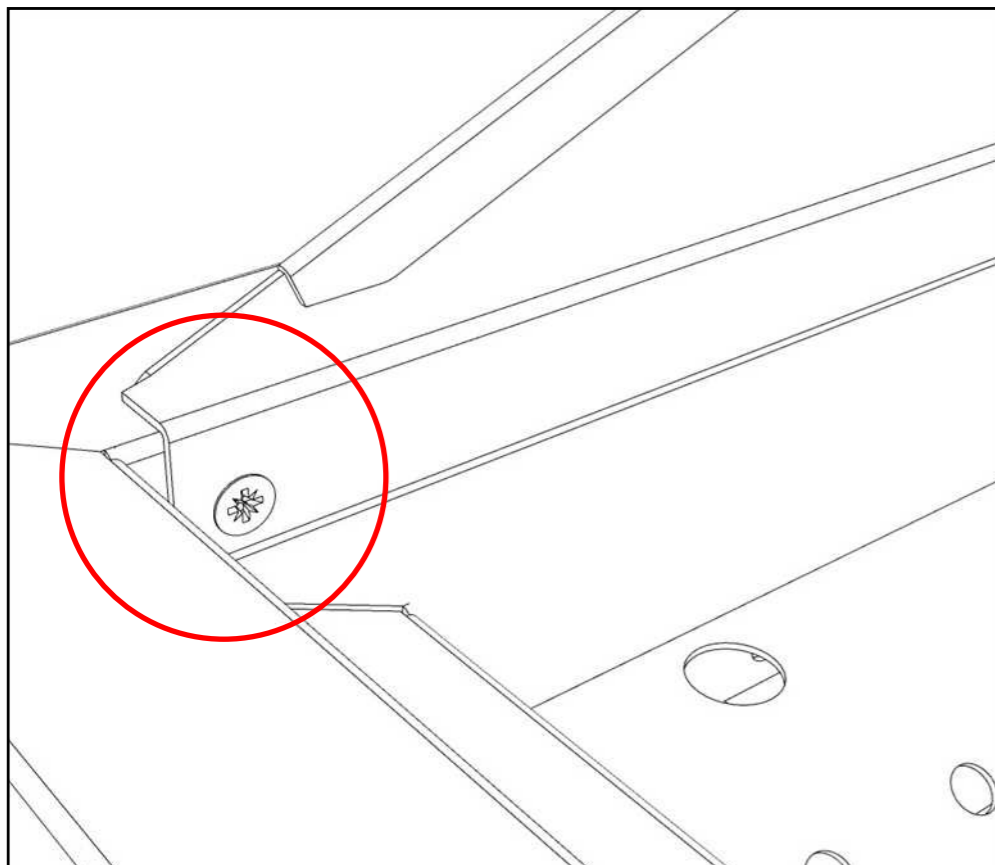
1. REMOVE COOKING GRATES, ALIGN HOOD BASE TO REST ON THE INSIDE EDGE OF BURNER. **IMPORTANT - WHEN PLACING THE HOOD, BE SURE THE BACK BURNER VENT IS LEFT OPEN.**



2. REMOVE ALL (4) INSIDE SCREWS, YOU WILL NOT NEED THE BLACK RUBBER RING WHILE USING THE HOOD ATTACHMENT



3. ALIGN HOOD BASE SCREW HOLES WITH LOWER BURNER HOLES AND FASTEN IN ALL (4) SCREWS.



NOW CLOSE THE COVER AND CONFIRM HOOD IS STATIONARY AND NO WIGGLE, IF SO TIGHTEN THE SCREWS. ALSO TRY TIGHTENING THE HOOD BOLTS ON EITHER BACK SIDES.

