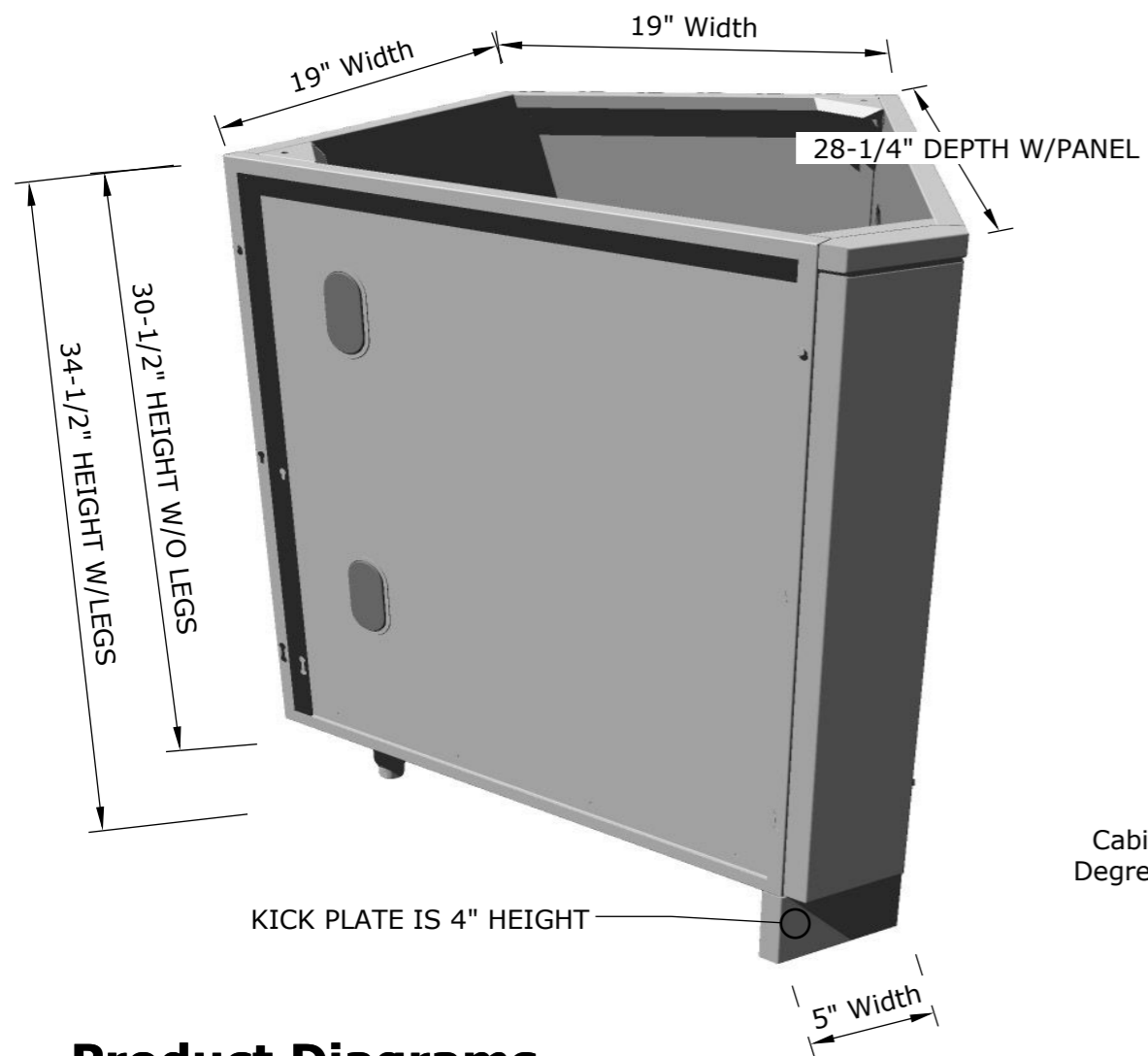
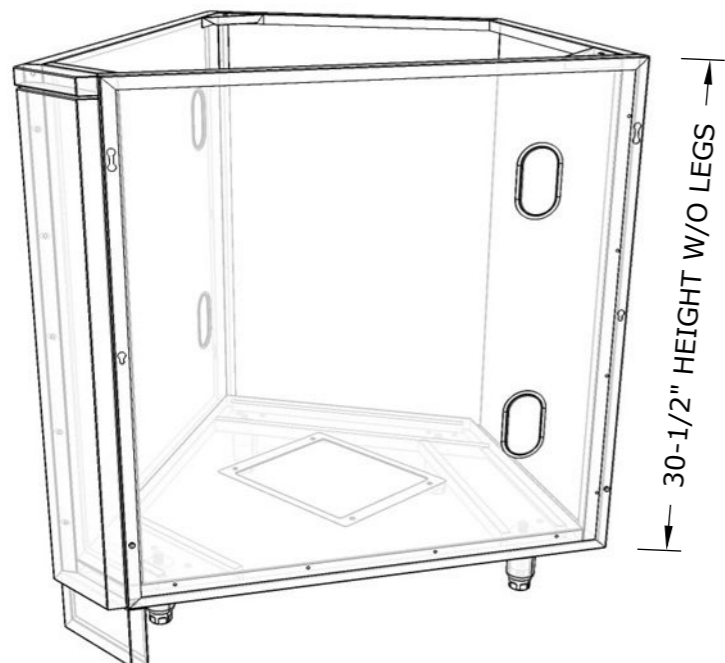


## Product Dimensions

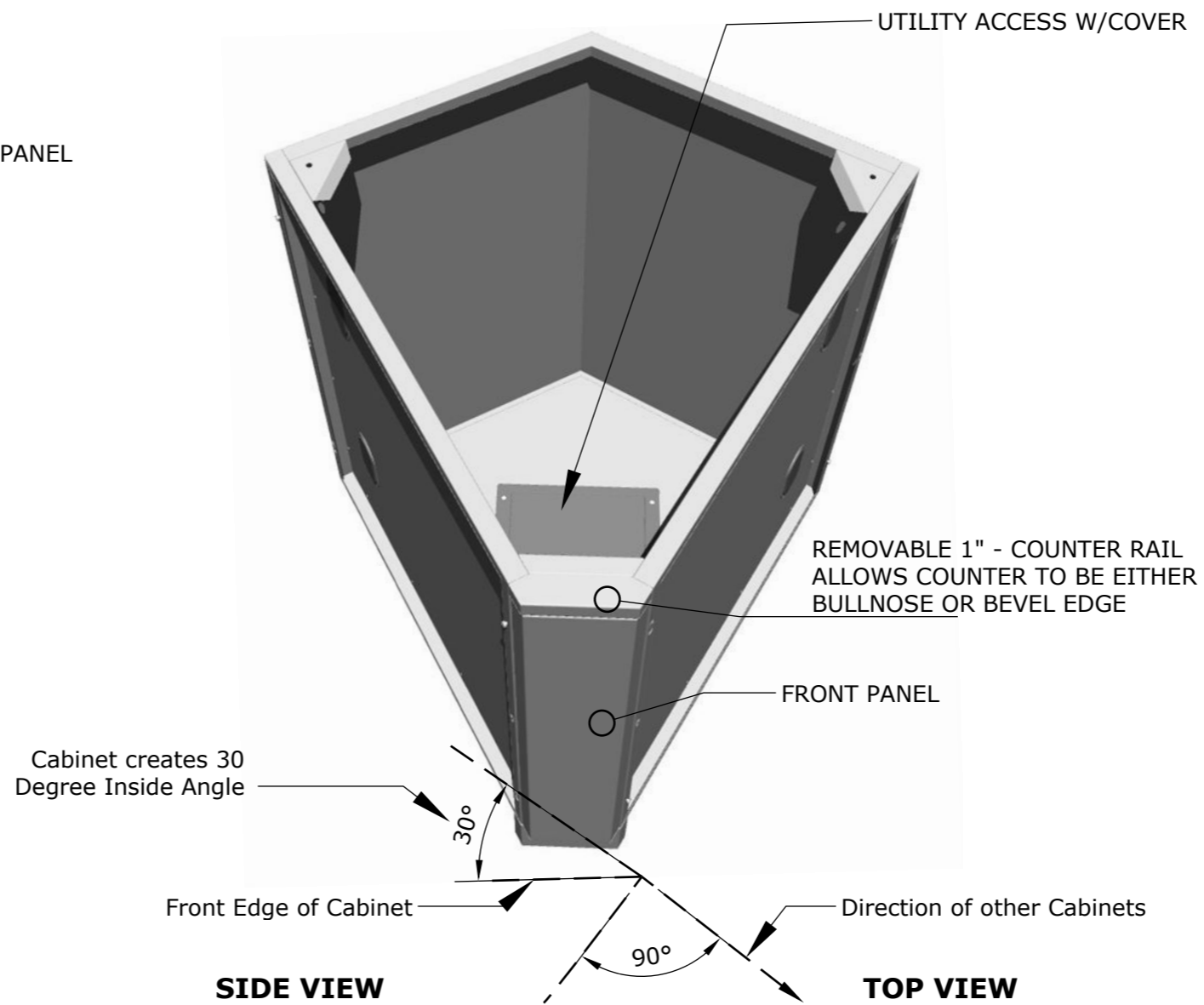


## Product Diagrams

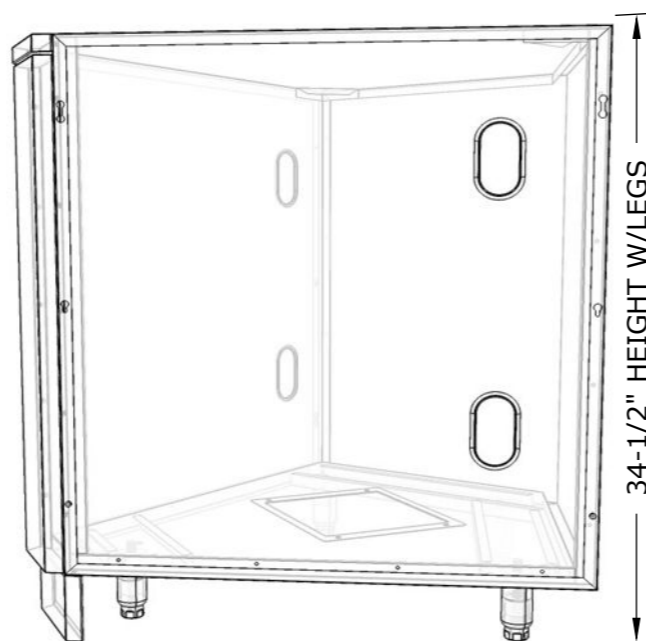
ISO VIEW



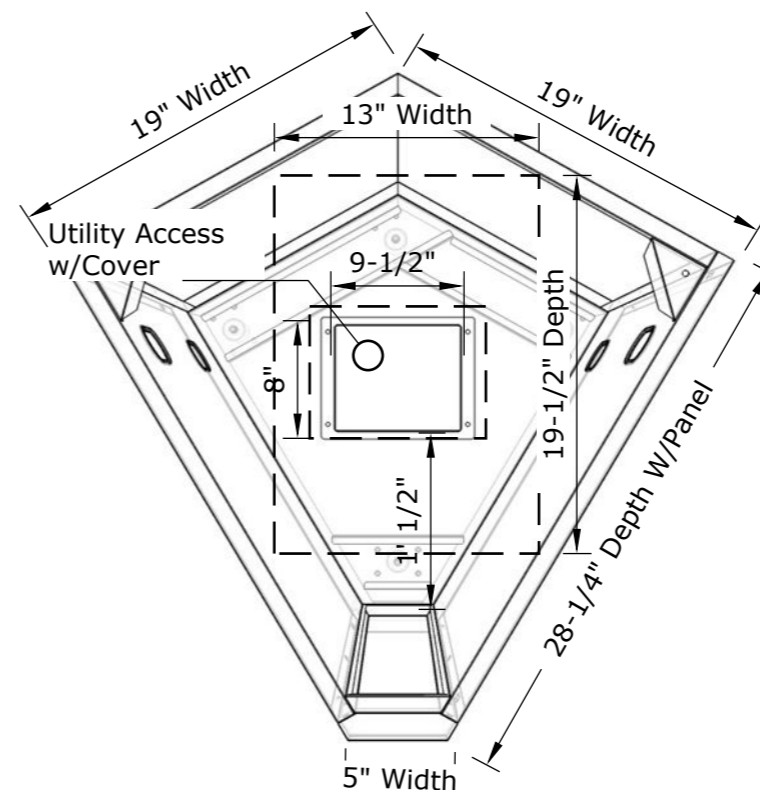
## Product Components



SIDE VIEW



TOP VIEW



**SUNSTONE METAL PRODUCTS**  
 16004 CENTRAL COMMERCE DR.  
 PFLUGERVILLE, TEXAS 78660  
 Tel: 888.934.9449  
 Bus: 512.487.5116  
 Fax: 512.487.7016

### PRODUCT

30 Degree Corner Cabinet w/Utility Access

**Item No.** SBC5C30

### DESCRIPTION

5" Front Face Panel Corner Cabinet allows for 30 degree angle to be created, w/Utility Access Hole in base with cover

- Lifetime Structure Warranty
- 304 Stainless Steel Structure
- 304 SS Rod Handles
- Front & Back Kick-Plates
- Easy Pin-Lock Installation
- Soft-Close Drawer Tracks
- Covered Access Ports
- Adjustable Peg-Legs
- Optional Wheel Casters

### INCLUDED COMPONENTS

- Front Kick Plates
- Back Solid Kick Plate
- (4) Adjustable Peg Legs
- Floor Utility Access

### PRODUCT DIMENSIONS

3"W x 3"W by 30 Degree Inside Radius x 28-1/4"D (w/Front Panel each left & Right side) x 34-1/2"H (w/Legs) or 30-1/2"H (no Legs) or Upto 36" Max Adjustable Height

### INSERT DIMENSIONS

See Rectangle on "Top View"  
 13" Width x 19-1/2" Depth

### INSERTABLE PRODUCTS

Side Burner - 1SSB

### MATERIAL SPECS

304 Stainless Steel entire structure, 18 Gauge for Door Panel, 18 Gauge for Cabinet Box, 18 Gauge for Shelf, Handles are made of Solid 304 Stainless Steel Bar.