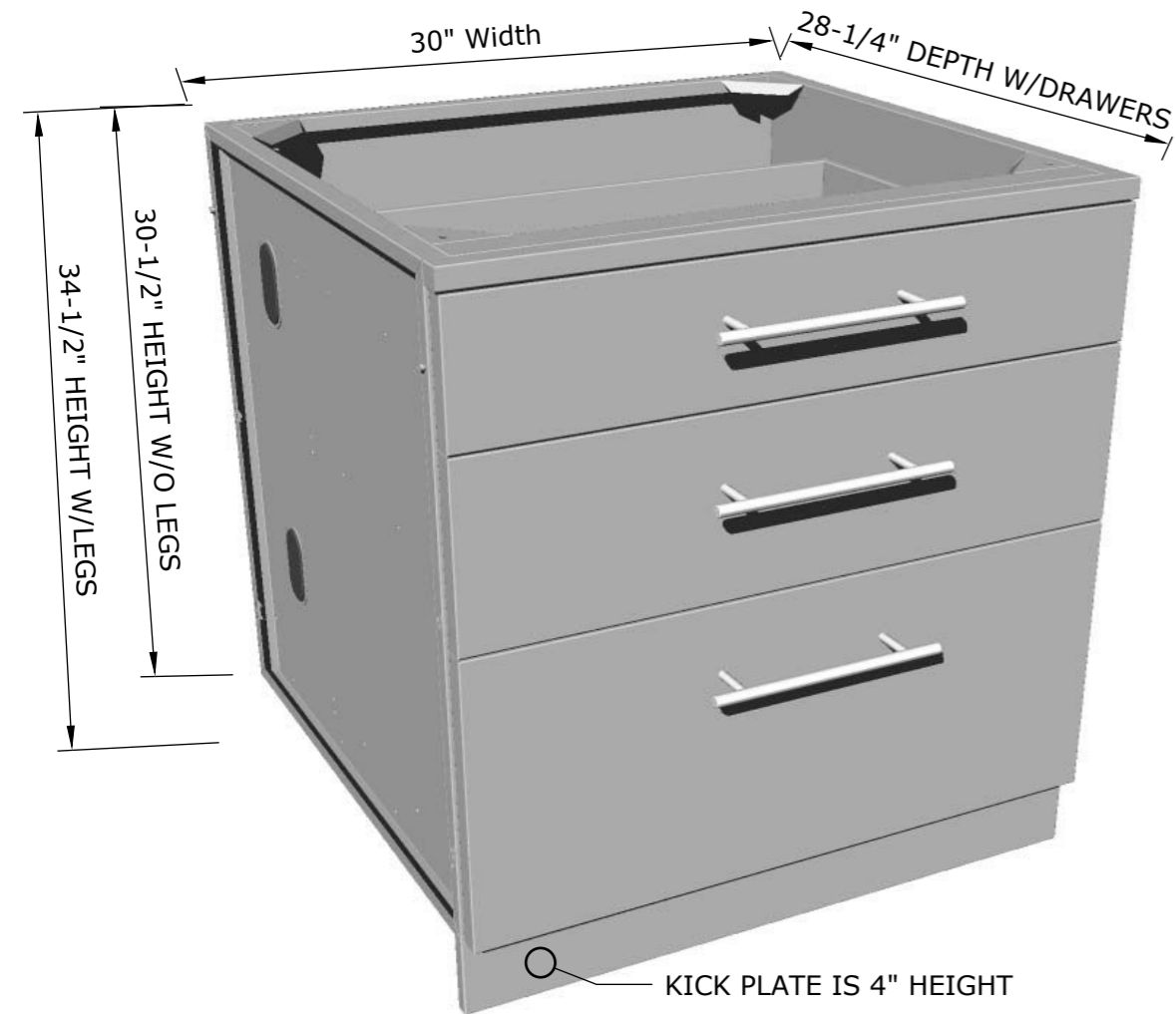
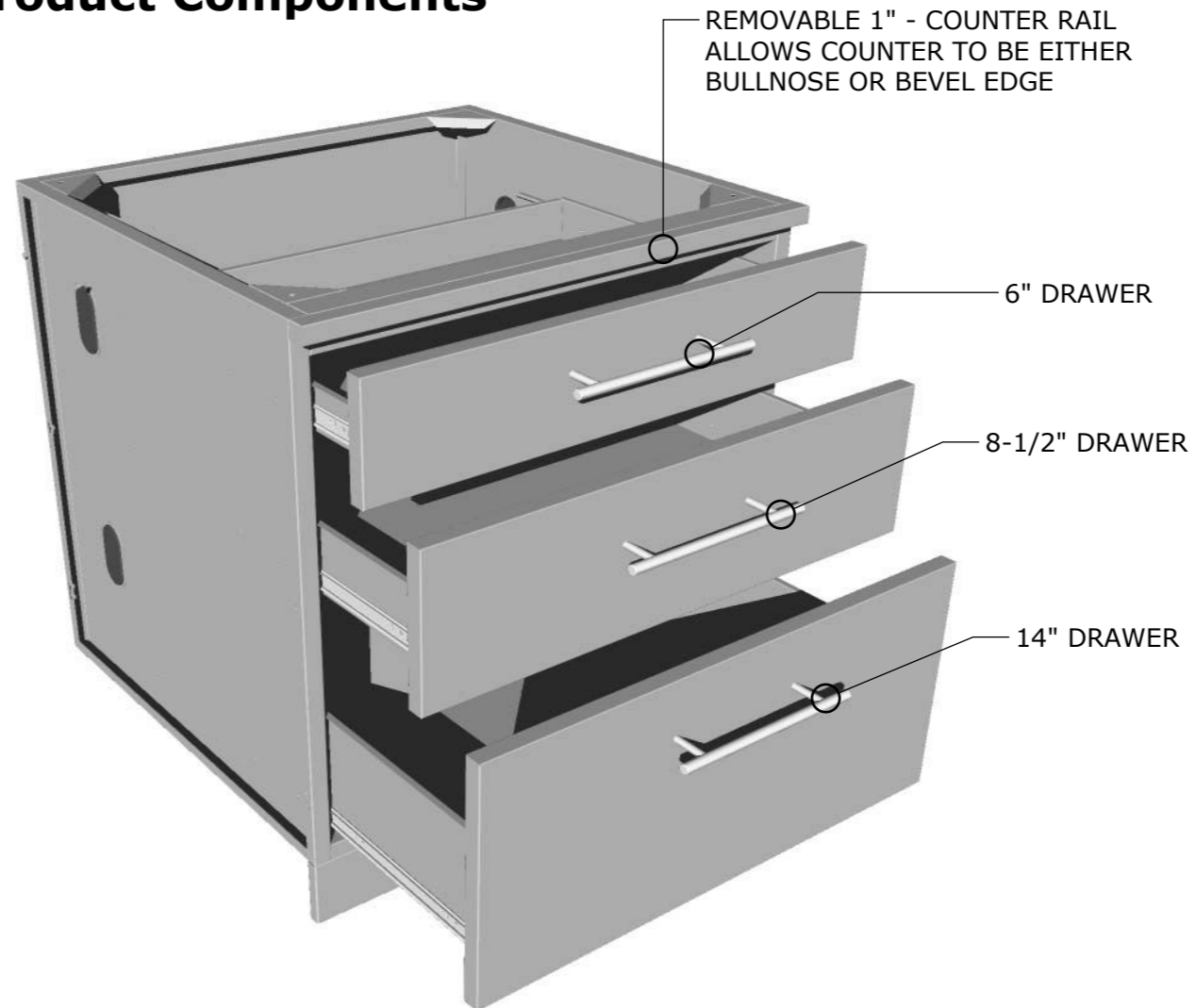


## Product Dimensions



## Product Components



**SUNSTONE METAL PRODUCTS**  
 16004 CENTRAL COMMERCE DR.  
 PFLUGERVILLE, TEXAS 78660  
 Tel: 888.934.9449  
 Bus: 512.487.5116  
 Fax: 512.487.7016

### PRODUCT

30" Large Triple Drawer Base Cabinet

**Item No.** SBC30STD

### DESCRIPTION

30" Large Triple Drawer Base Cabinet

- Lifetime Structure Warranty
- 304 Stainless Steel Structure
- 304 SS Rod Handles
- Front & Back Kick-Plates
- Easy Pin-Lock Installation
- Soft-Close Drawer Tracks
- Covered Access Ports
- Adjustable Peg-Legs
- Optional Wheel Casters

### INCLUDED COMPONENTS

- Front Kick Plate
- Back Kick Plate
- (4) Adjustable Peg Legs

### PRODUCT DIMENSIONS

30"W x 28-1/4"D (w/Drawers) x 34-1/2"H (w/Legs) or 30-1/2"H (no Legs) or Upto 36" Max Adjustable Height

### INSERT DIMENSIONS

NONE

### INSERTABLE PRODUCTS

NONE

### MATERIAL SPECS

304 Stainless Steel entire structure, 18 Gauge for Door Panel, 18 Gauge for Cabinet Box, 18 Gauge for Shelf, Handles are made of Solid 304 Stainless Steel Bar.

## Product Diagrams

