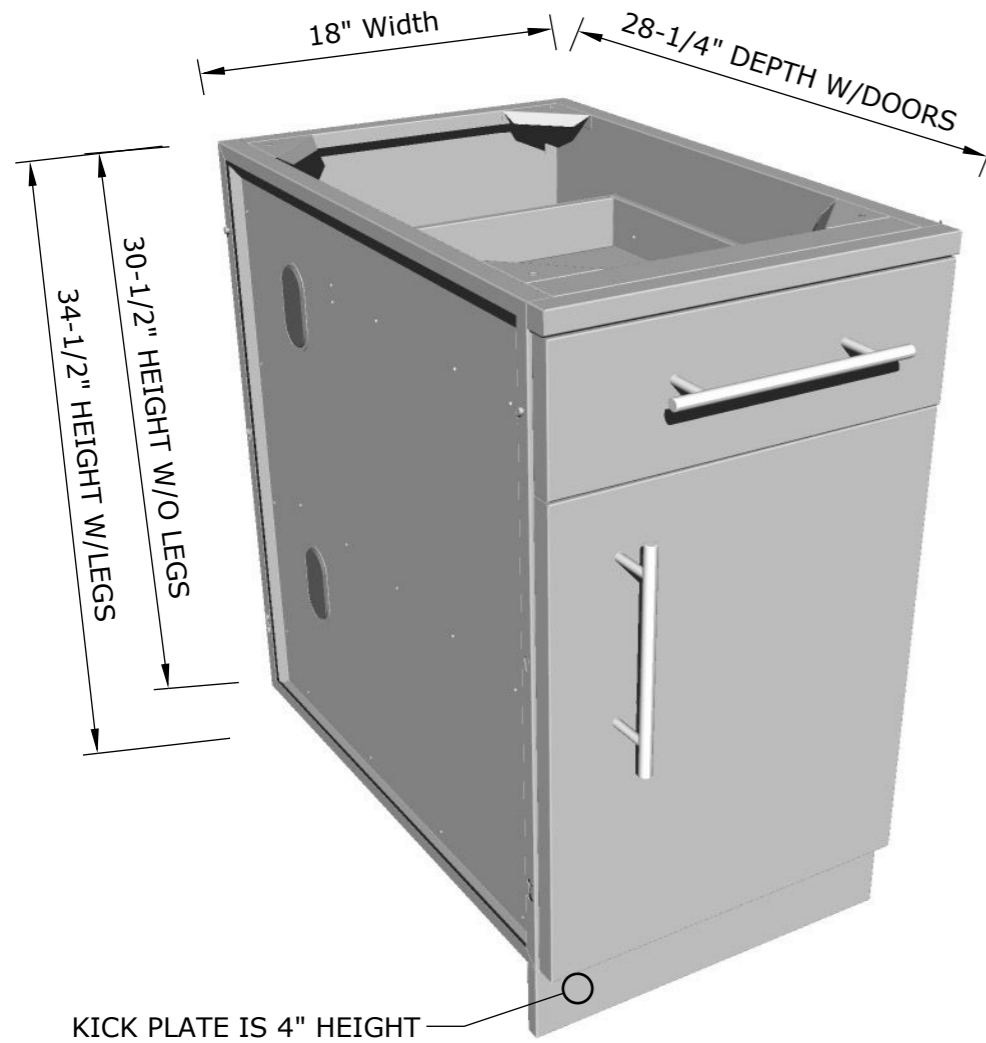
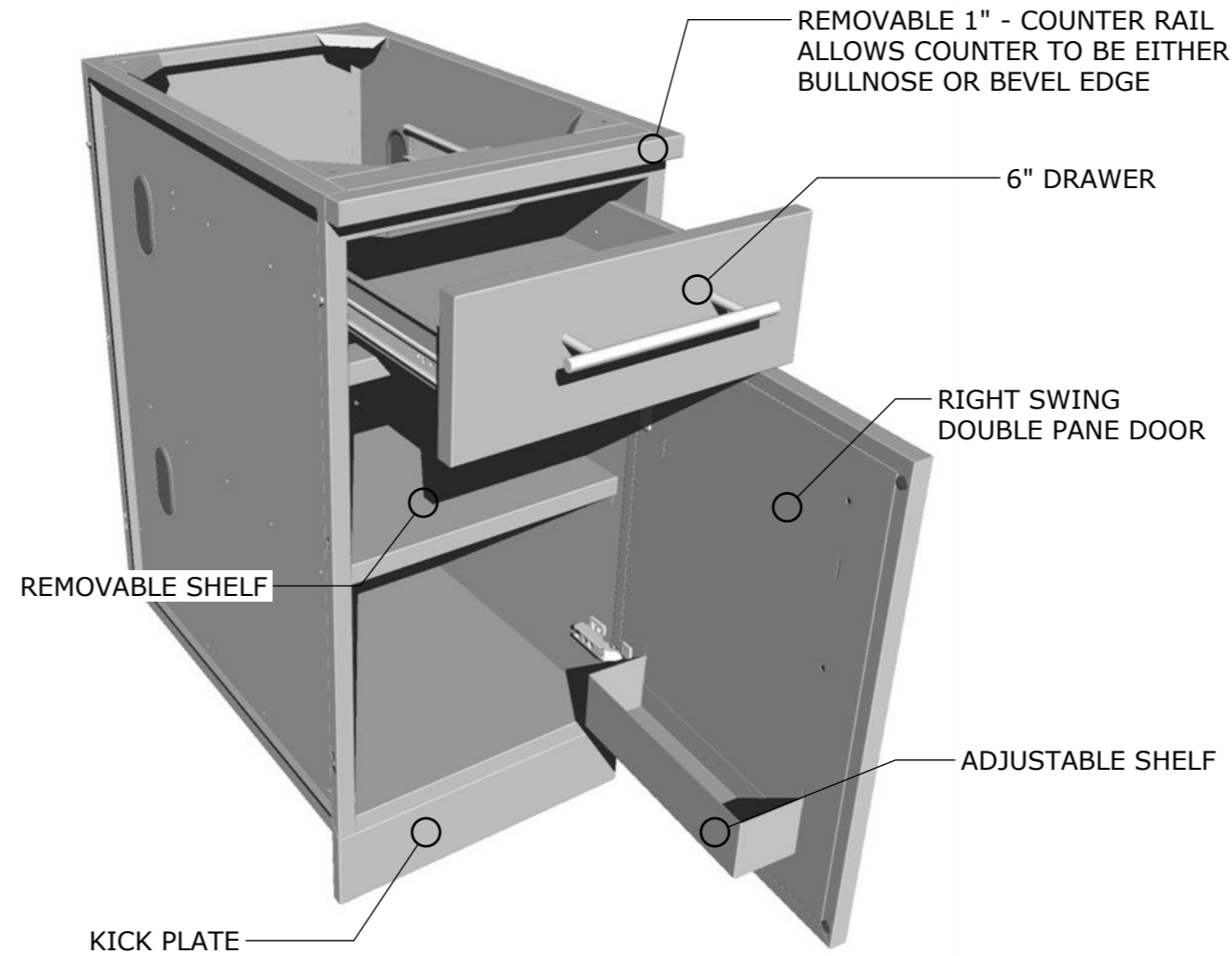


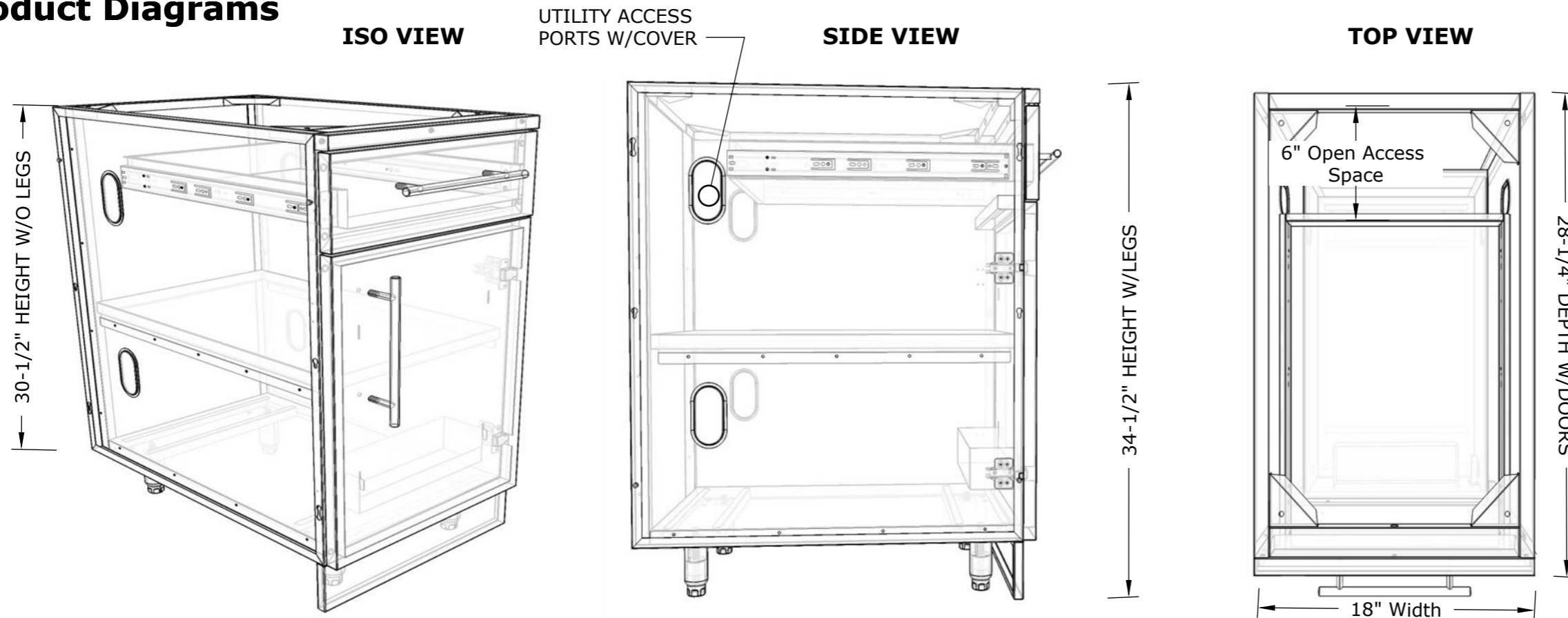
Product Dimensions



Product Components



Product Diagrams



SUNSTONE METAL PRODUCTS
16004 CENTRAL COMMERCE DR.
PFLUGERVILLE, TEXAS 78660
Tel: 888.934.9449
Bus: 512.487.5116
Fax: 512.487.7016

PRODUCT

18" Right Swing Door
w/ Top Drawer and Shelf

Item No. SBC18CSDR

DESCRIPTION

18" Right Single Swing Door with
Cabinet Shelf and Top Drawer.

- Lifetime Structure Warranty
- 304 Stainless Steel Structure
- 304 SS Rod Handles
- Front & Back Kick-Plates
- Easy Pin-Lock Installation
- Soft-Close Drawer Tracks
- Covered Access Ports
- Adjustable Peg-Legs
- Optional Wheel Casters

PRODUCT DIMENSIONS

18"W x 28-1/4"D (w/Doors) x 34-1/2"H (w/Legs) or 30-1/2"H (no Legs) or Upto 36" Max Adjustable Height

INSERTABLE PRODUCTS

NONE

MATERIAL SPECS

304 Stainless Steel entire structure, 18 Gauge for Door Panel, 18 Gauge for Cabinet Box, 18 Gauge for Shelf, Handles are made of Solid 304 Stainless Steel Bar.