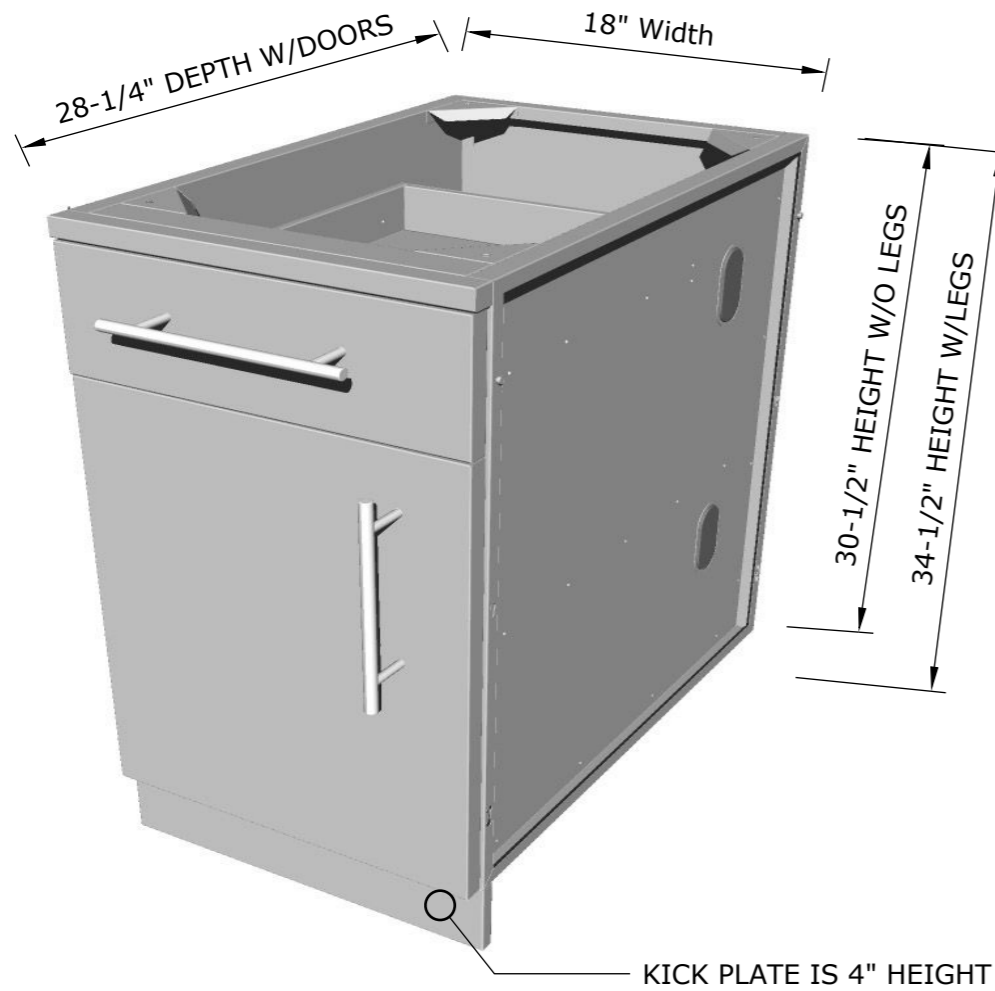
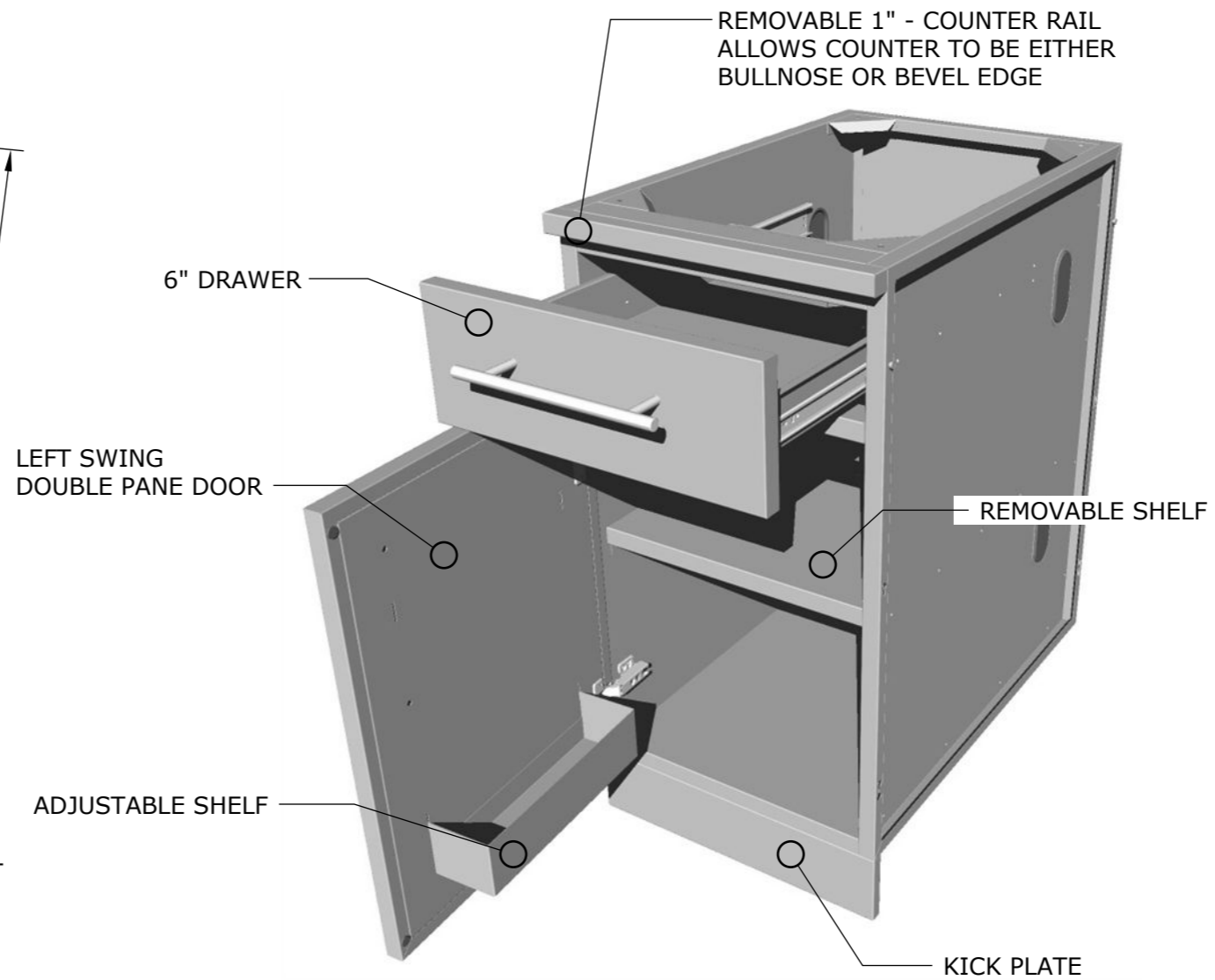


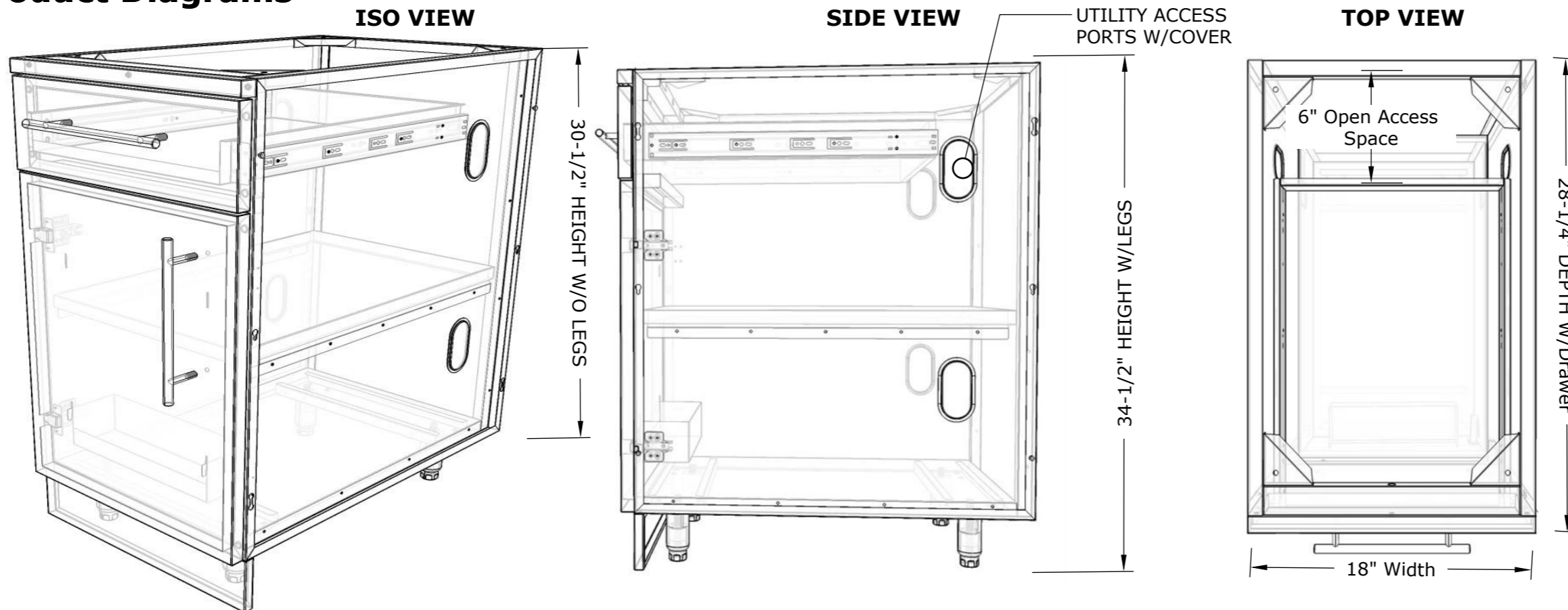
## Product Dimensions



## Product Components



## Product Diagrams



**SUNSTONE METAL PRODUCTS**  
16004 CENTRAL COMMERCE DR.  
PFLUGERVILLE, TEXAS 78660  
Tel: 888.934.9449  
Bus: 512.487.5116  
Fax: 512.487.7016

### PRODUCT

18" Left Swing Door  
w/Top Drawer and Shelf

**Item No.** SBC18CSDL

### DESCRIPTION

18" Left Single Swing Door with  
Cabinet Shelf and Top Drawer.

- Lifetime Structure Warranty
- 304 Stainless Steel Structure
- 304 SS Rod Handles
- Front & Back Kick-Plates
- Easy Pin-Lock Installation
- Soft-Close Drawer Tracks
- Covered Access Ports
- Adjustable Peg-Legs
- Optional Wheel Casters

### PRODUCT DIMENSIONS

18"W x 28-1/4"D (w/Doors) x  
34-1/2"H (w/Legs) or 30-  
1/2"H (no Legs) or Upto 36"  
Max Adjustable Height

### INSERTABLE PRODUCTS

NONE

### MATERIAL SPECS

304 Stainless Steel entire  
structure, 18 Gauge for Door  
Panel, 18 Gauge for Cabinet  
Box, 18 Gauge for Shelf,  
Handles are made of Solid 304  
Stainless Steel Bar.