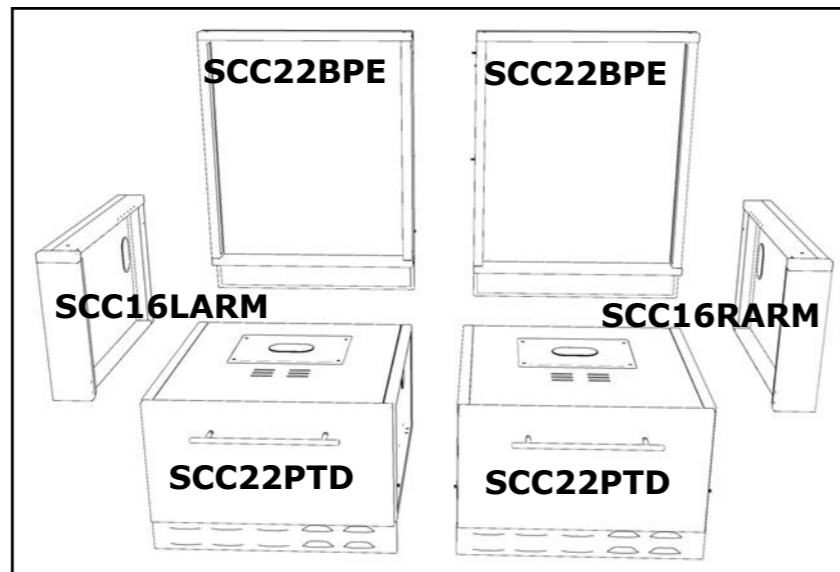
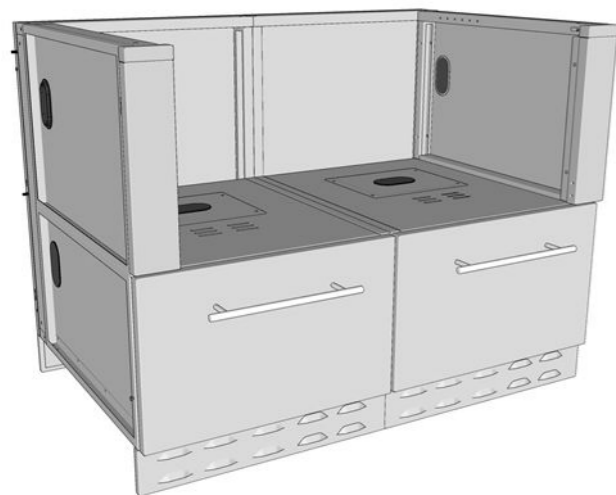
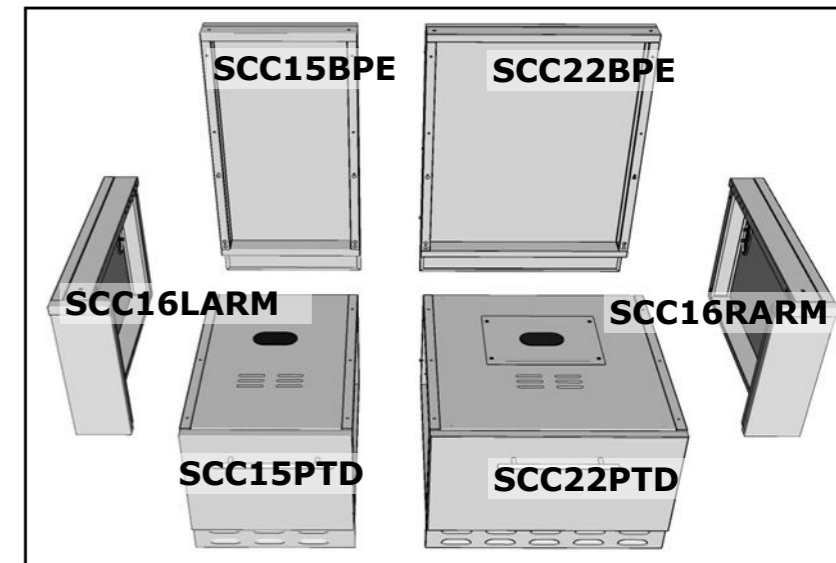
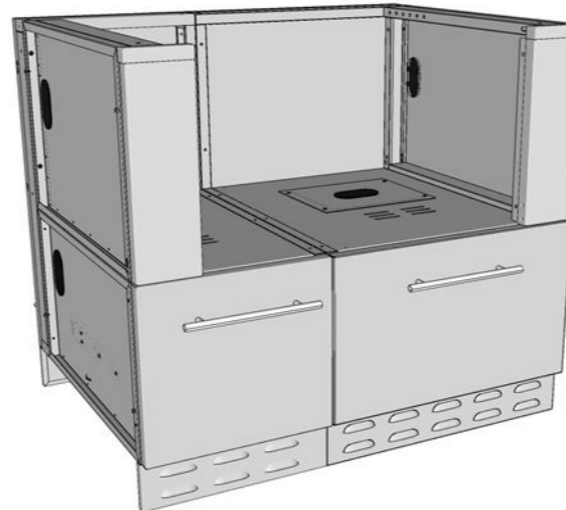


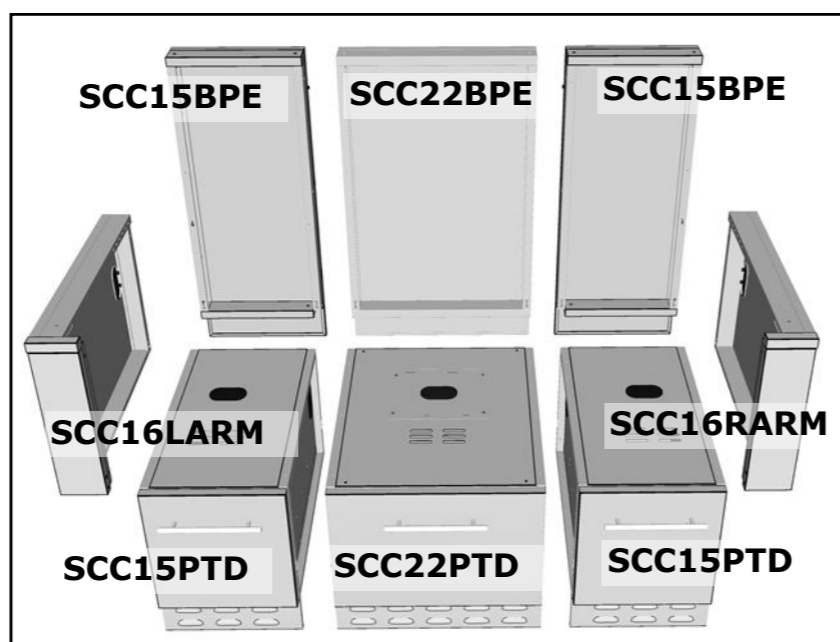
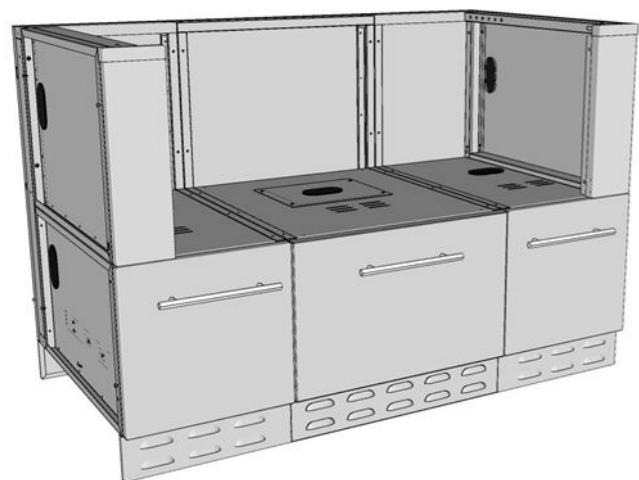
Item No. SAC44HGDC



Item No. SAC37HGDC



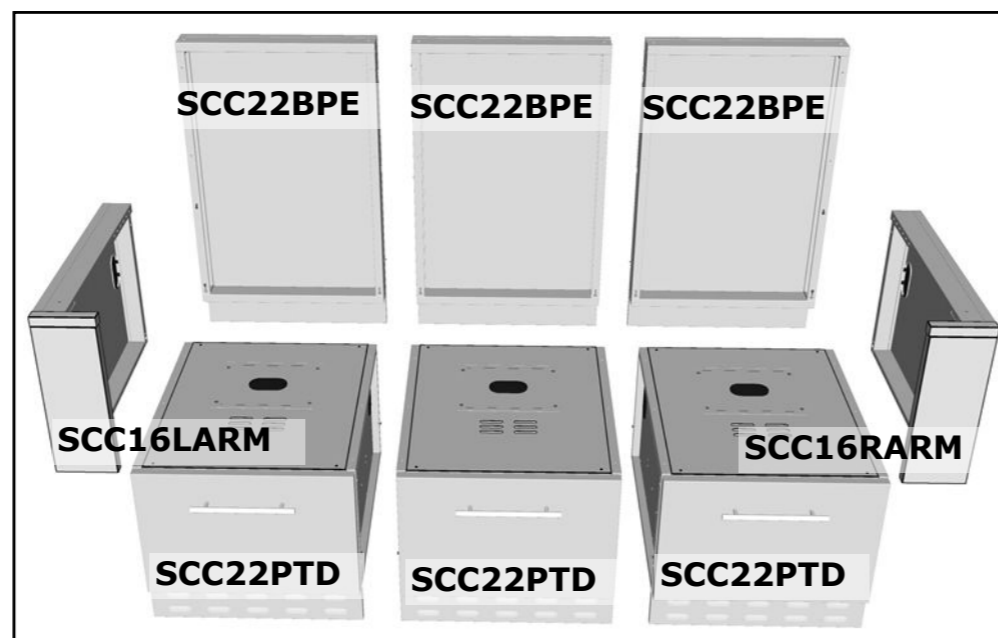
Item No. SAC52HGDC



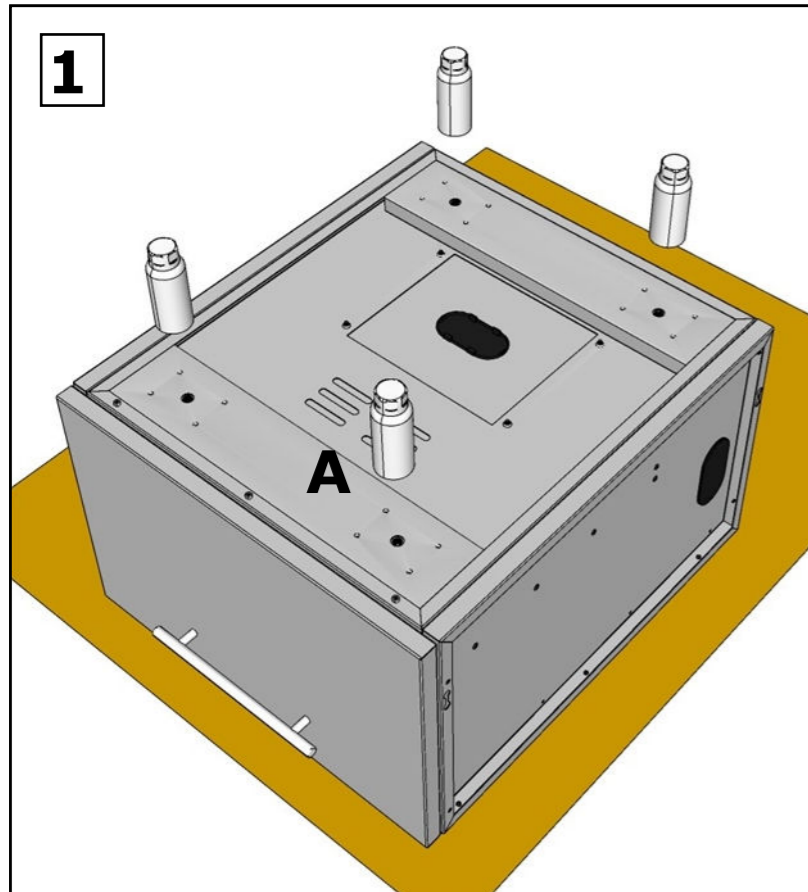
This instructional guide is applicable to all Hybrid Grill Cabinet Configurations. It is important to note that within any of the configurations that utilize a combination of two different sizes of base drawer components, you have the flexibility to reconfigure their positioning according to your preference.

All the components are specifically designed to allow for various combinations, providing you with the freedom to configure them in any way you can imagine. For specific details about each individual product, kindly refer to the Specification Sheet included in your cabinet package.

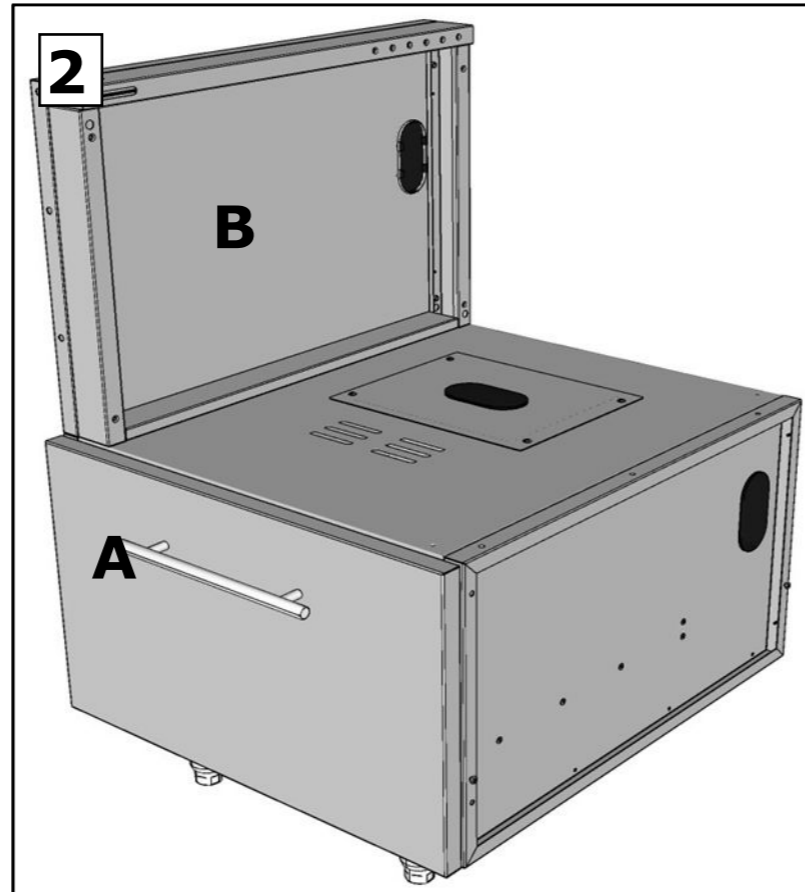
Item No. SAC66HGDC



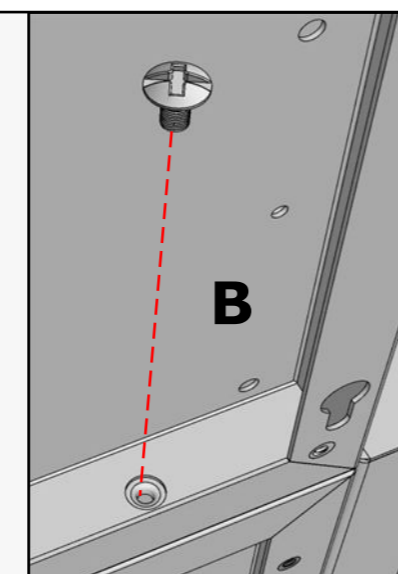
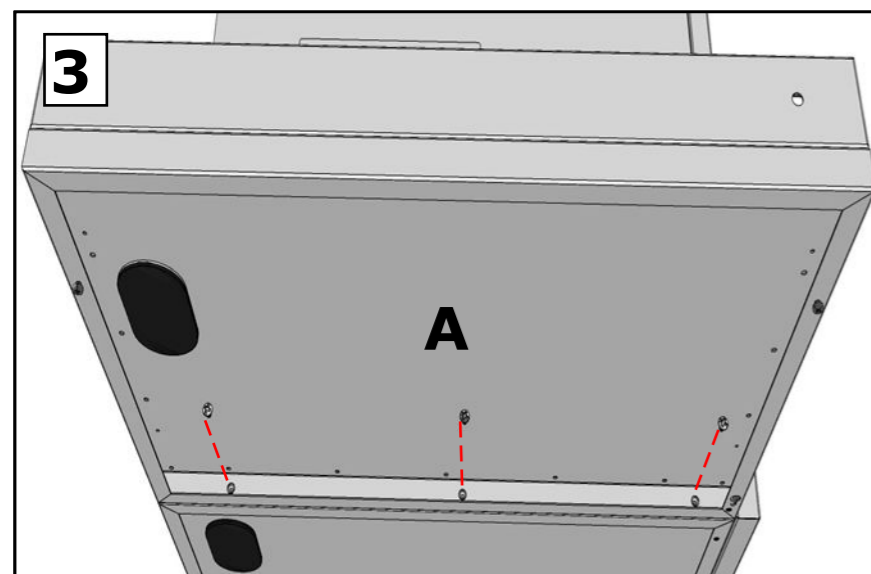
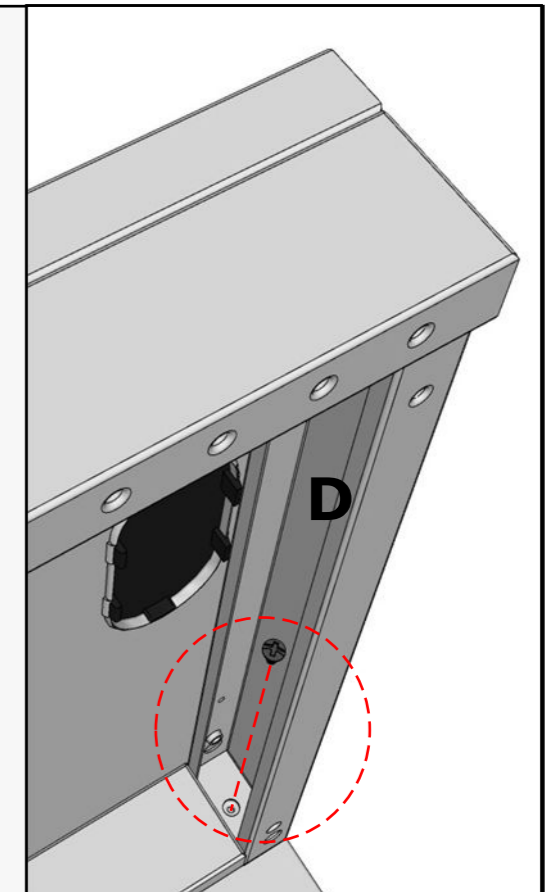
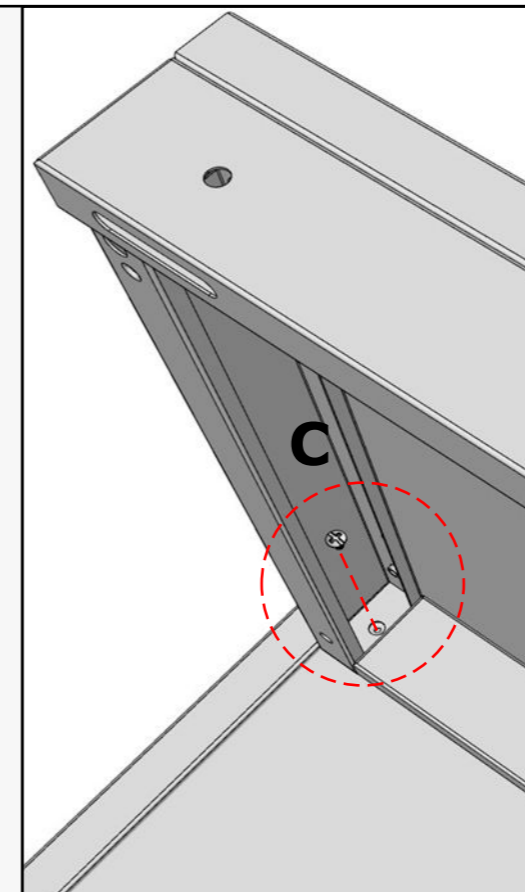
IMPORTANT!! - COMPLETELY READ ALL INSTRUCTIONS BEFORE PROCEEDING



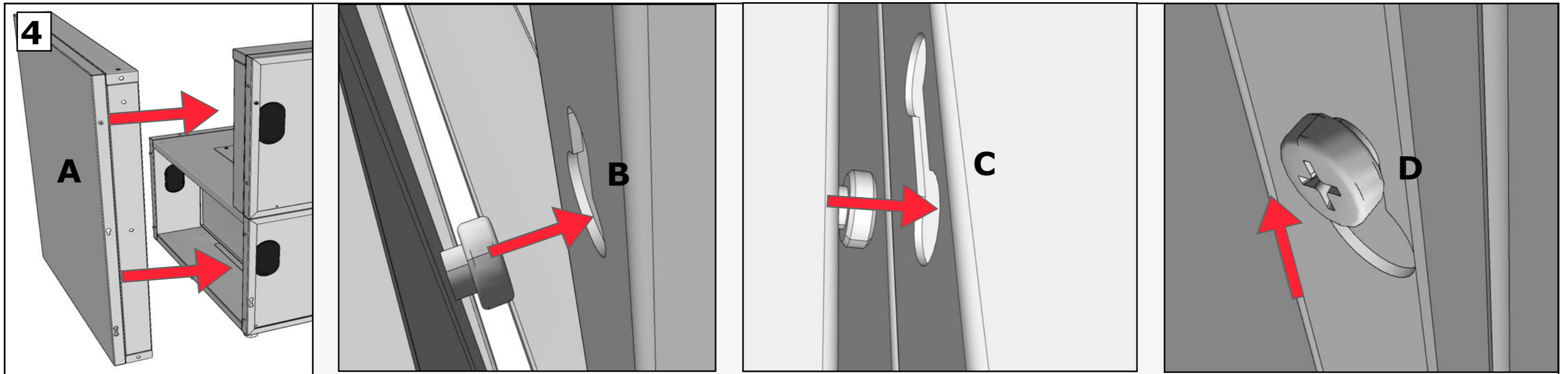
- (A) Remove Base Cabinet SCC22PTD, or SCC15PTD from box. Turn upside-down with cardboard beneath to protect finish.
- (B) Remove the Leg and Vent Panel located in Drawer or in SCC22BPE or SCC15BPE Box.
- (C) Fasten on the Four Peg-Legs, if your using wheel casters, mount with the 4 holes.



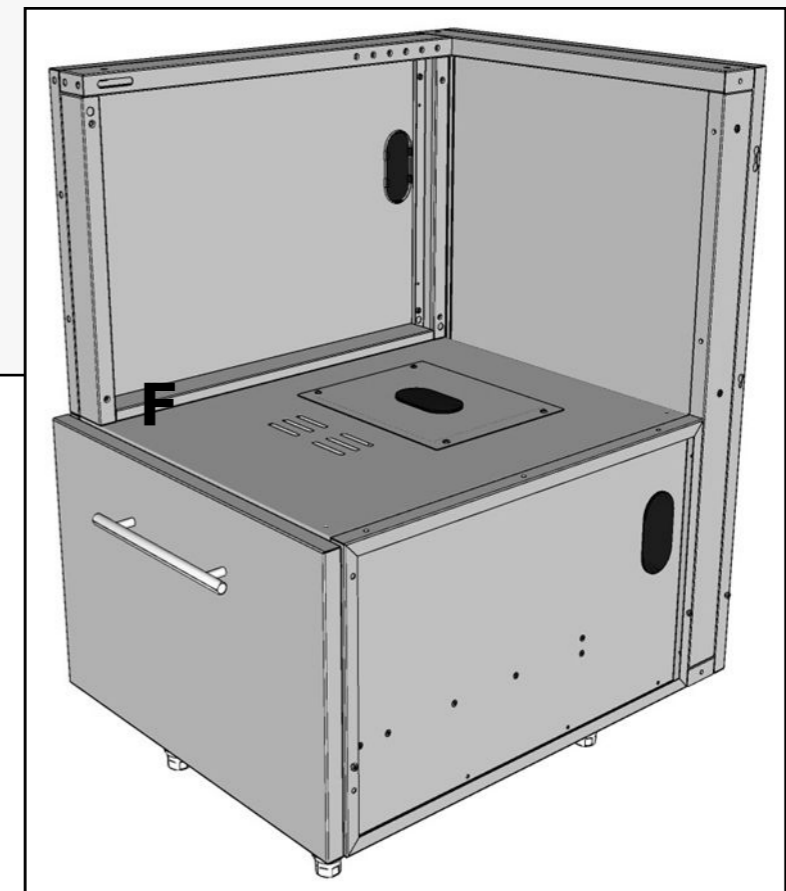
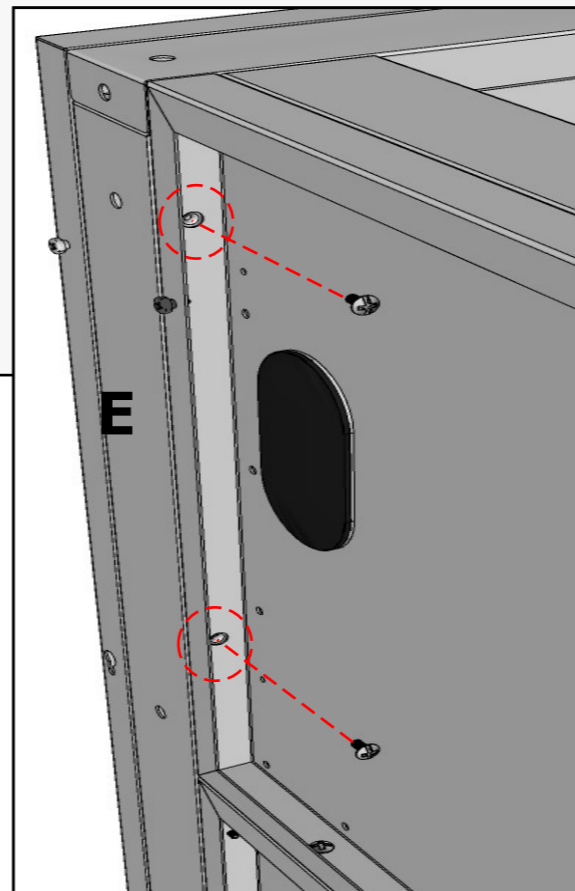
- (A) The picture shows handle in place, you can locate it mounted to the inside back of drawer face. Unscrew the handle and remount it to the front face of drawer panel.
- (B) In the illustration we are placing the SCC16LARM Arm Component which will configure the drawer box to be placed on the left side of grill cabinet configuration. You can alternatively place the SCC16RARM Arm Component on the right side of drawer box and place into the right side of configuration. These instructions work for either SCC15PTD or SCC22PTD drawer boxes.
- (C) Fasten in the screw shown in figure C, this secures the front of component arm. Next fasten in the screw shown in figure D, this secures the back of arm component. All screw holes are threaded, so it is simple to tightly secure components together.

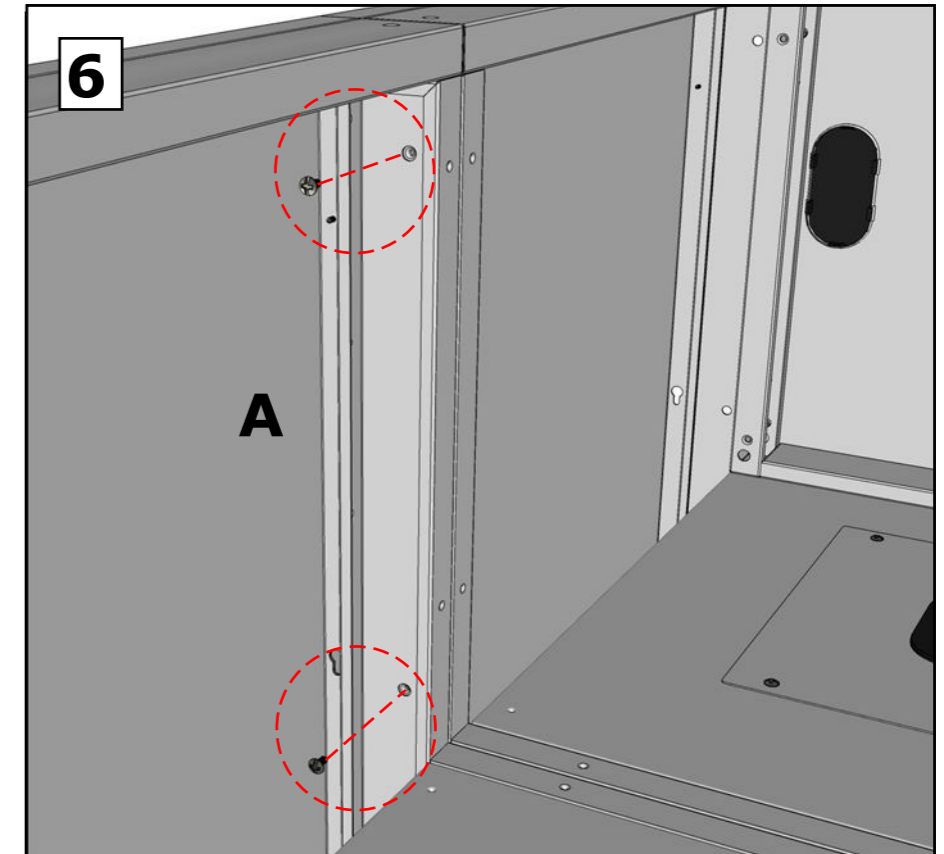
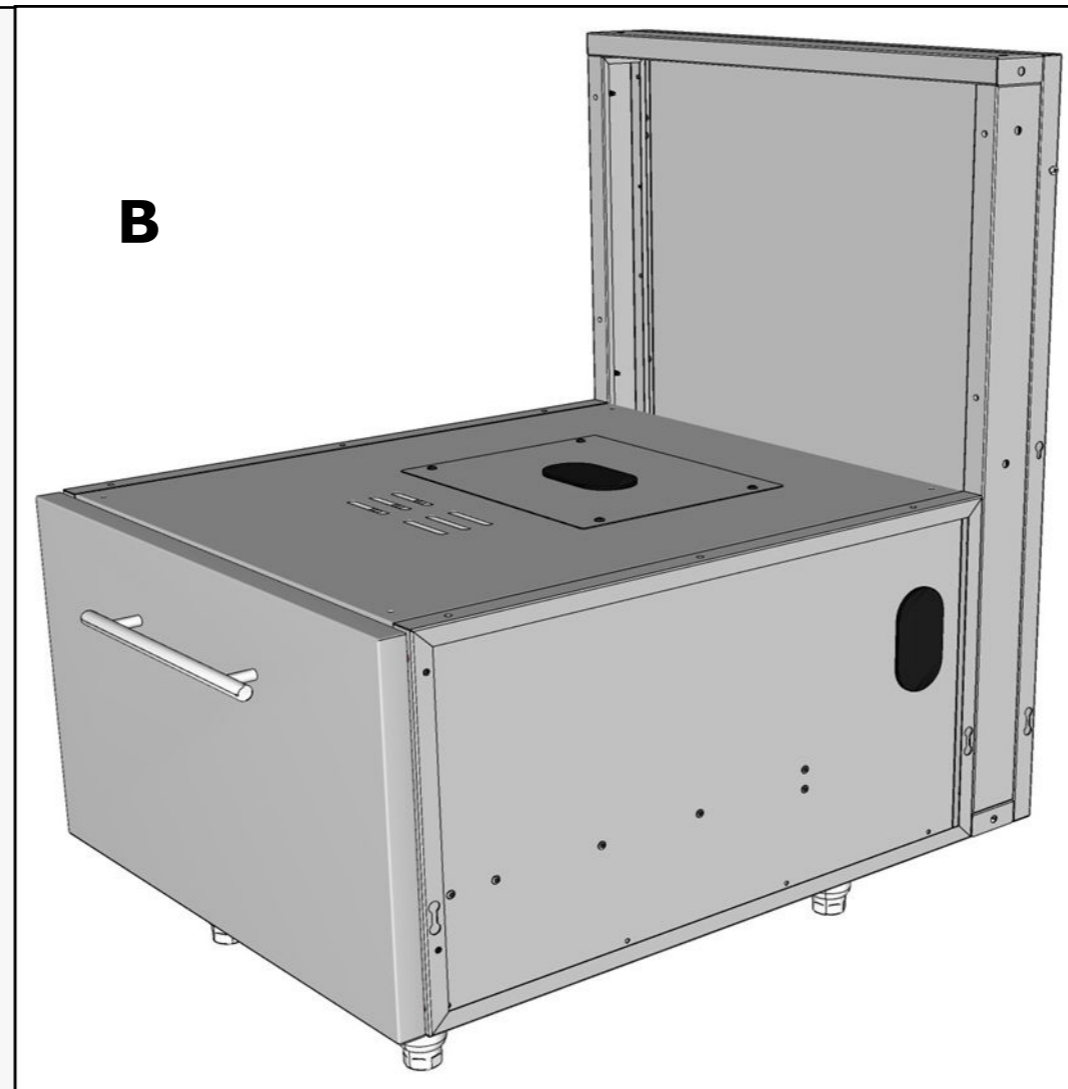
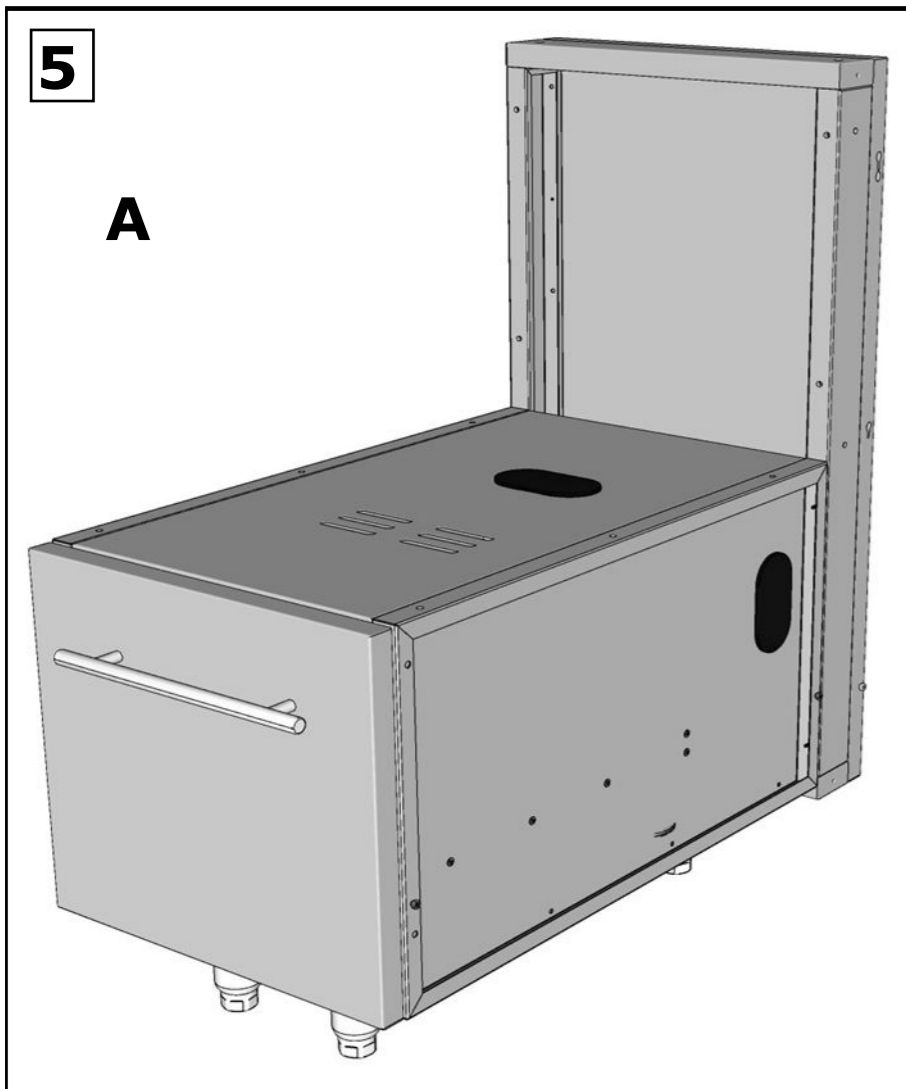


- (A) In illustration 3 there are three additional mounting screws to place on the outer edge. The screw holes are pre-threaded.
- (B) See the close-up image detailing the exact placement of screws. All screws should be **hand-tightened**, using a power drill can damage the thread making it impossible to properly secure each component together.



- 4**
- (A) Match the back panel, either SCC15BPE or SCC22BPE, with its corresponding width drawer component, SCC15PTD or SCC22PTD. Lift the back panel and hinge it onto the back of the drawer box, following the instructions provided in Figure A, B, C.
 - (B) To connect all the cabinet components, start by using the simple Pin-Hinge. Once connected, secure them in place using the adjacent screws. Keep in mind that when the back panel is initially hinged, it will naturally fall into a lowered position.
 - (C) For securing the back panel, lift it slightly and then use the two screws indicated in Figure E. This step ensures proper stability. Figure F illustrates the appearance of the completed left side corner component assembly after following these instructions.





- 5**
- A**
- B**
- (A) The Hybrid Grill Cabinet configurations SAC66HGDC and SAC52HGDC offer the flexibility of combining three or four base drawer components. As demonstrated in the previous page, it is essential to hinge each back panel to its corresponding drawer component. Similarly, the back panel should hang low until all panels are securely fastened together.
- (B) When assembling the cabinet package with two or more center components, it is recommended to begin from the left corner component. Lift and hinge the desired center component to the right in a sequential manner. It is crucial to attach one component at a time, as each component typically requires the assistance of at least two people. Attempting to lift multiple components simultaneously is not advisable due to their considerable weight.

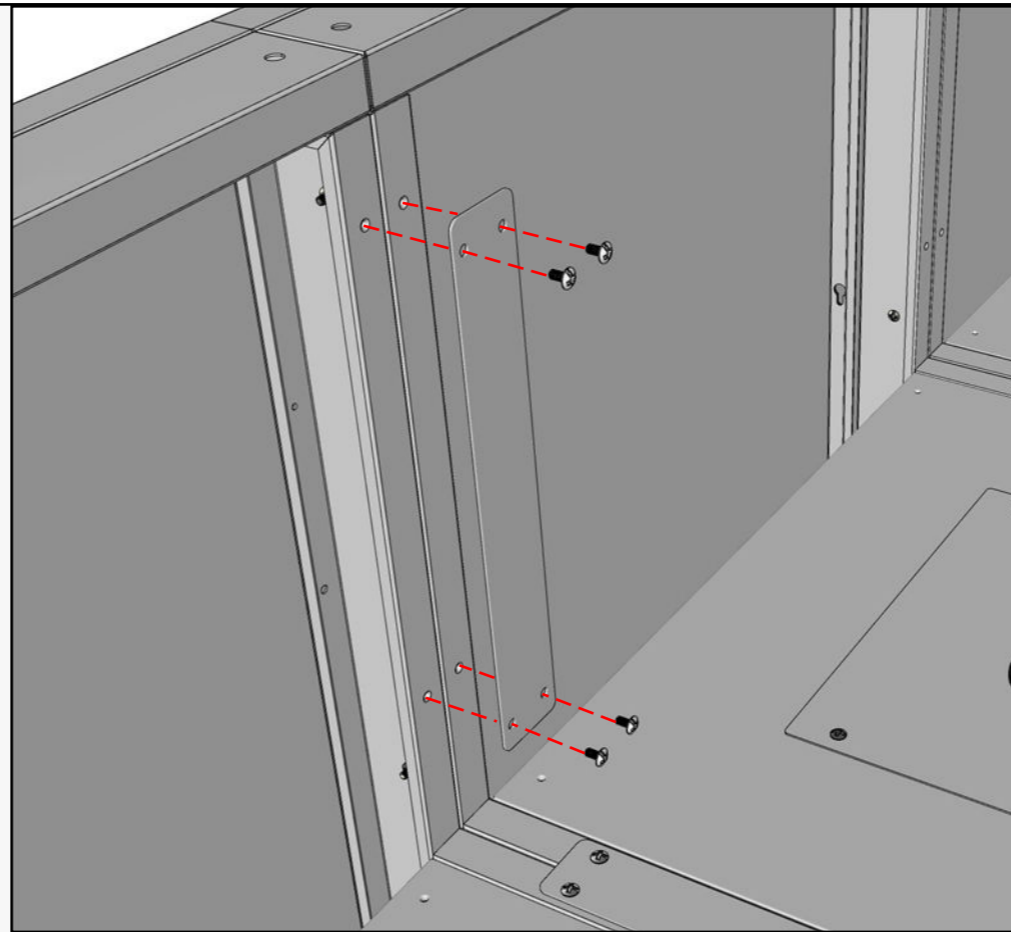
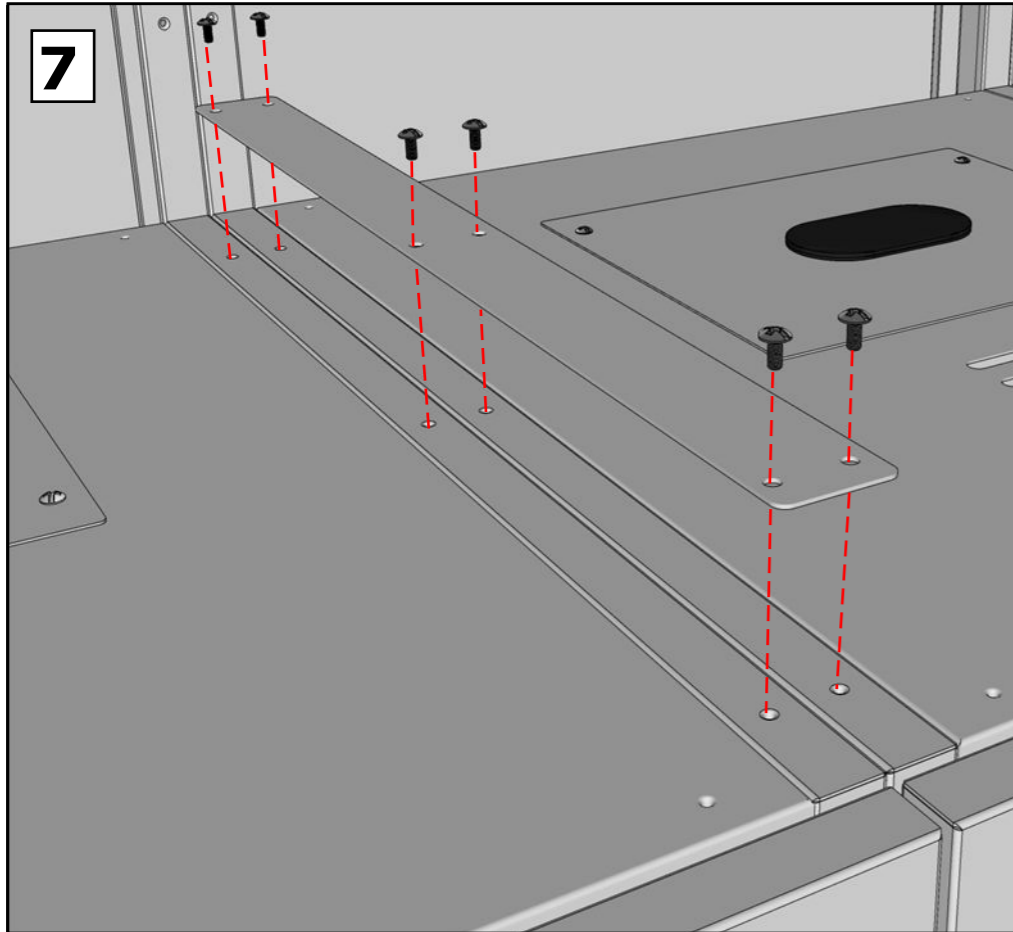
6

A

As shown on the previous page you will need to lift and hinge each adjacent component assembly together and then secure the back panels.

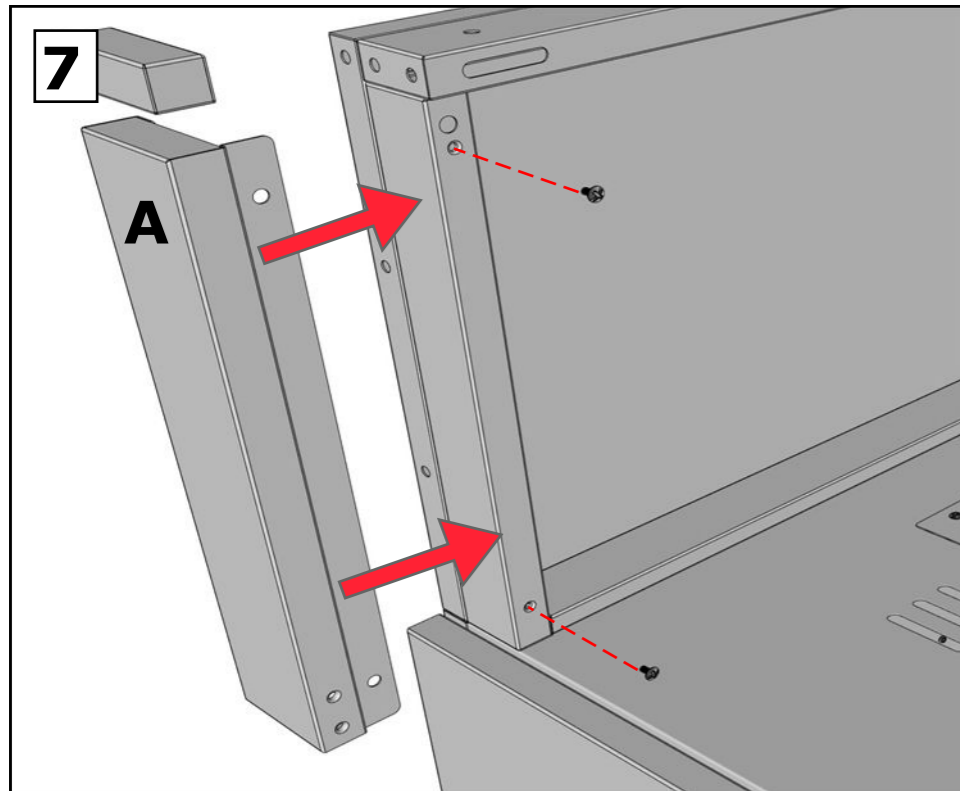
Lift each opposing back panel slightly, not so much that they will fall off the Pin-Hinge, but just enough as to align the screw holes together.

Use the included screws to secure the two adjacent back panels together as shown in figure A. As before the screw holes are threaded in each opposing back panel.

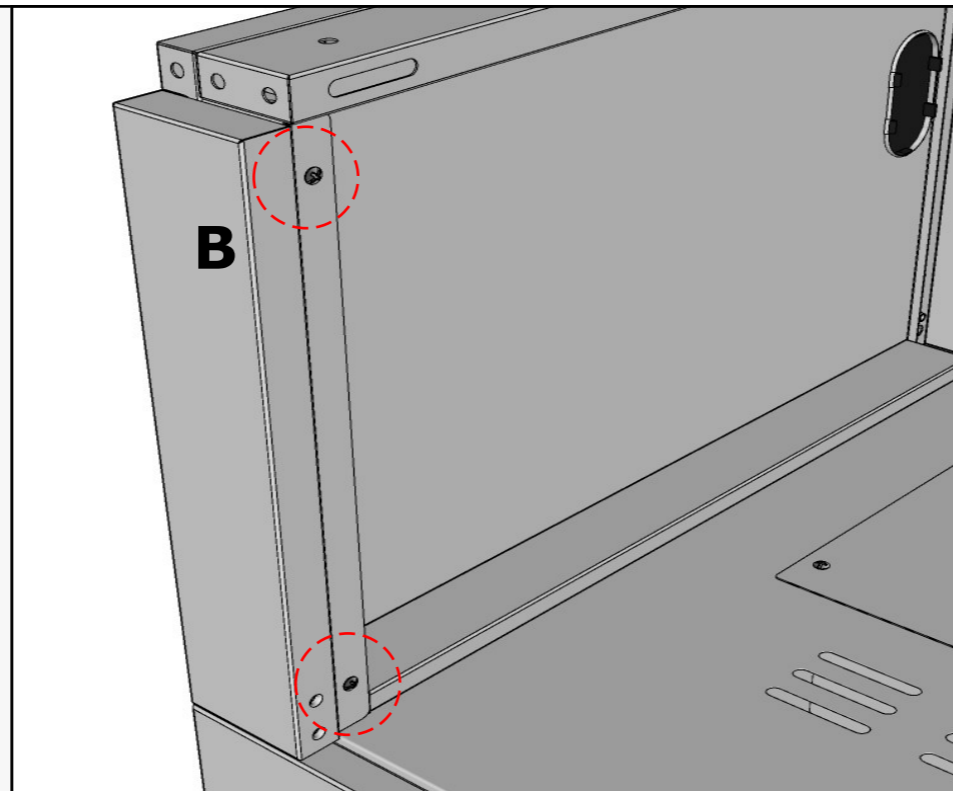


- (A) Locate each of the flat panels included in either the base drawer box or the back panel box. You will find one set of panels for each component. Since you only require a single panel for every two components, you will have extra panels that can be recycled.
- (B) To assemble the base drawer components, position the flat panel with six holes so that they align with the six pre-threaded holes. Each row of three holes should be positioned along the outer edge of either the left or right sides of the components.
- (C) By attaching each flat panel, you provide additional support, which proves particularly beneficial in case of uneven ground elevation or when mounting Wheel Casters to the base of the cabinets. These panels are indispensable in such scenarios.

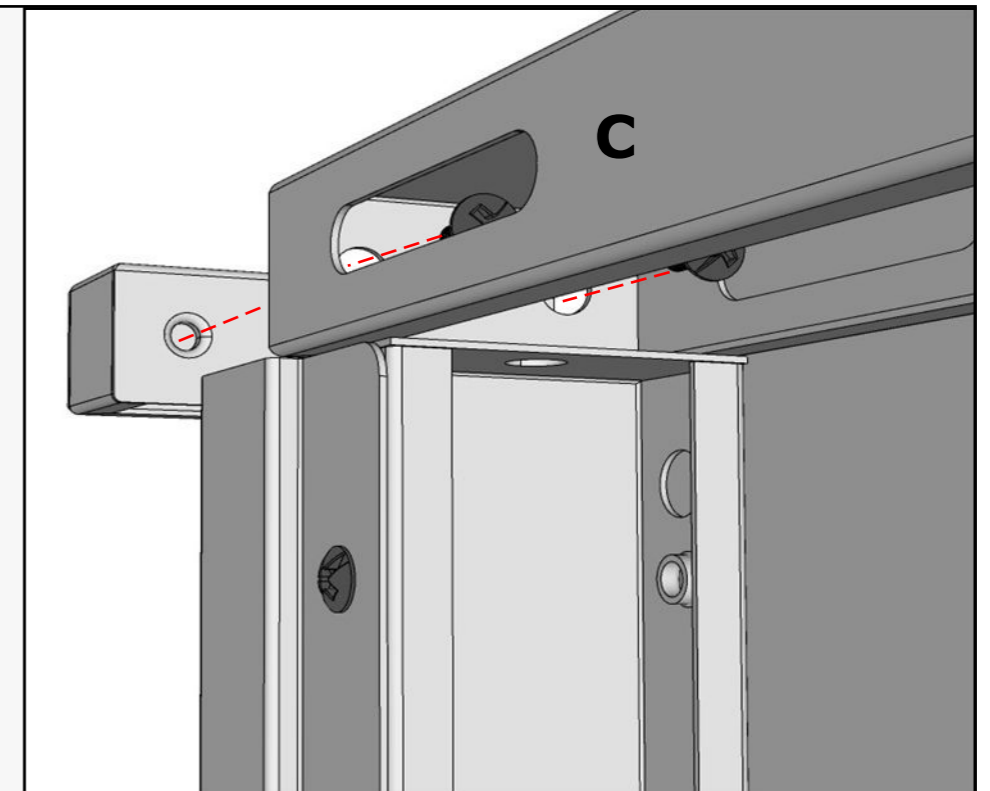
- (A) As depicted in Figure A, please proceed by attaching the second panel to the two adjacent back panels located at the rear. Ensure they are firmly secured together and use the provided screws to tighten them into the pre-threaded holes.



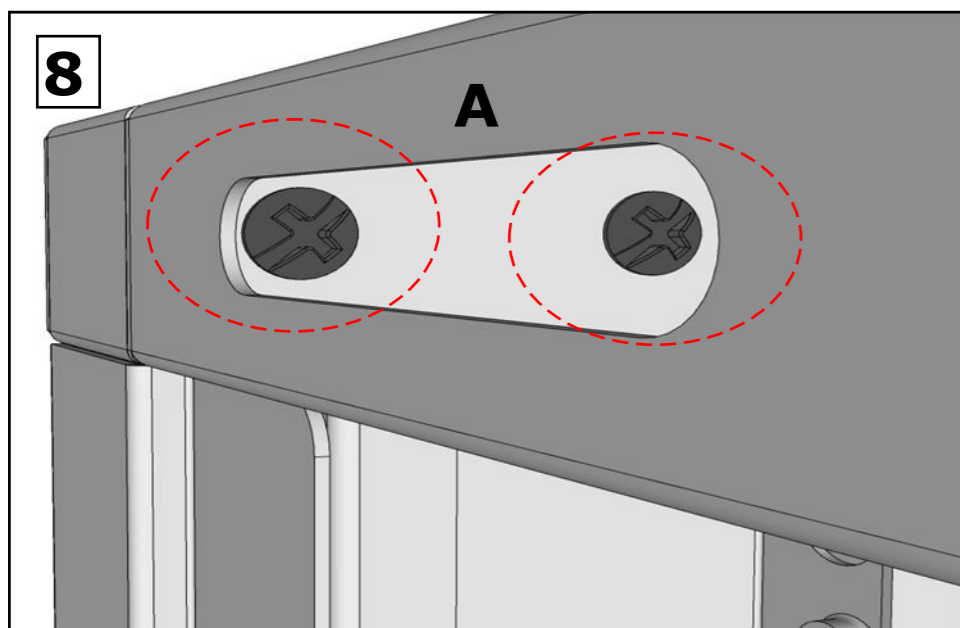
(A) Mount each of the two Trim-Kits included in your specific cabinet package. The Trim-Kit is separated with a large base and a smaller trim panel above called the Counter Rail.



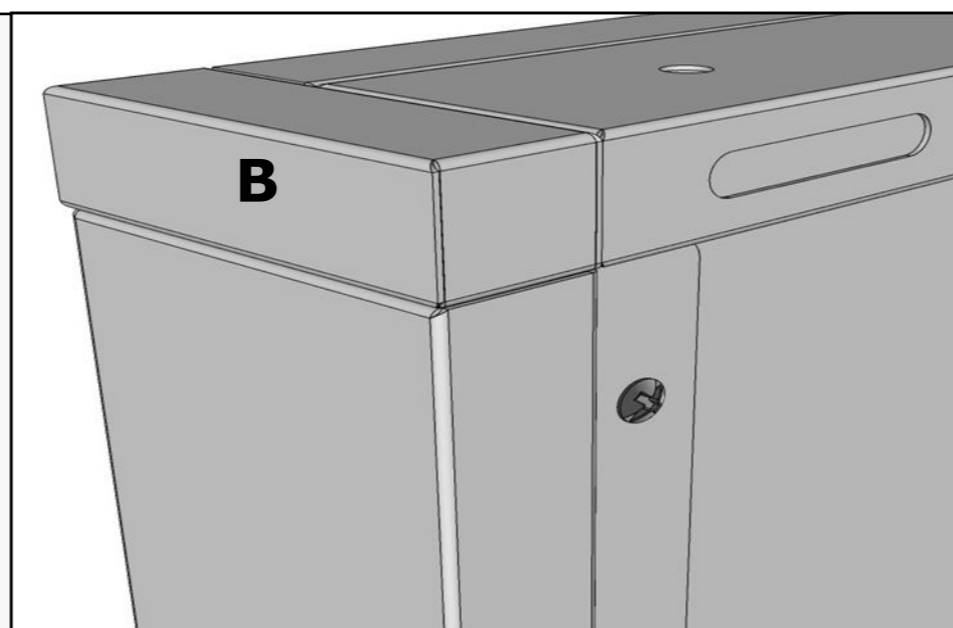
(B) As shown in figure A, fasten in the two included screws into the pre-threaded holes securing on the base Trim-Kit panel.



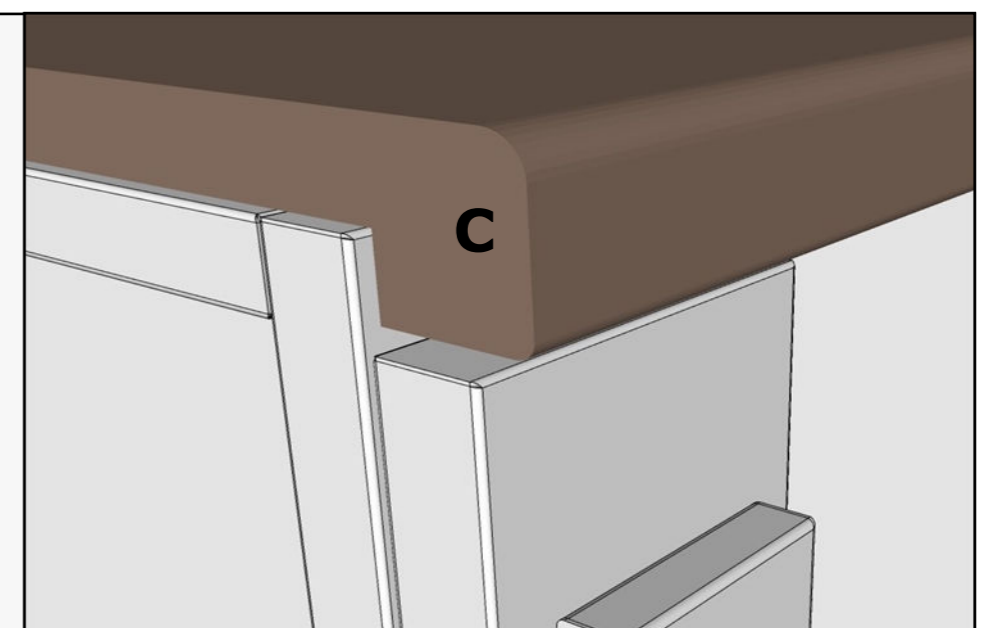
(C) Mount the top Counter Rail, in the adjacent screw holes. These are blind positions, so you will need to feel with your hands then align screw driver up with screws.



(A) Secure each of the screws into the Counter Rail. Sometimes this step is difficult, but must be done before the counter is installed.



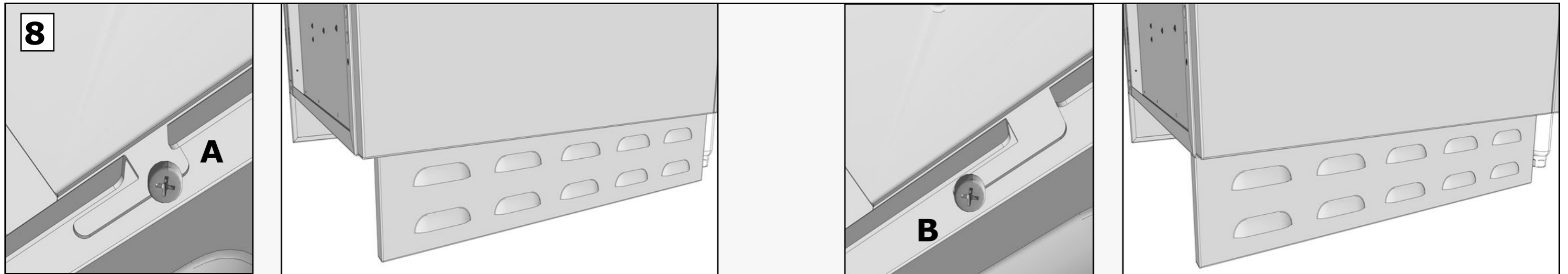
(B) Cabinet Package Trim-Kit should appear like this when finished. Be sure to confirm your grills exact cut-out width, this helps to determine the correct Trim-Kit to use.



(C) As an option you can have a Full Bullnose or Waterfall edge, you can remove the counter rail allowing the counters edge to be near to the cabinet instead of extending beyond.



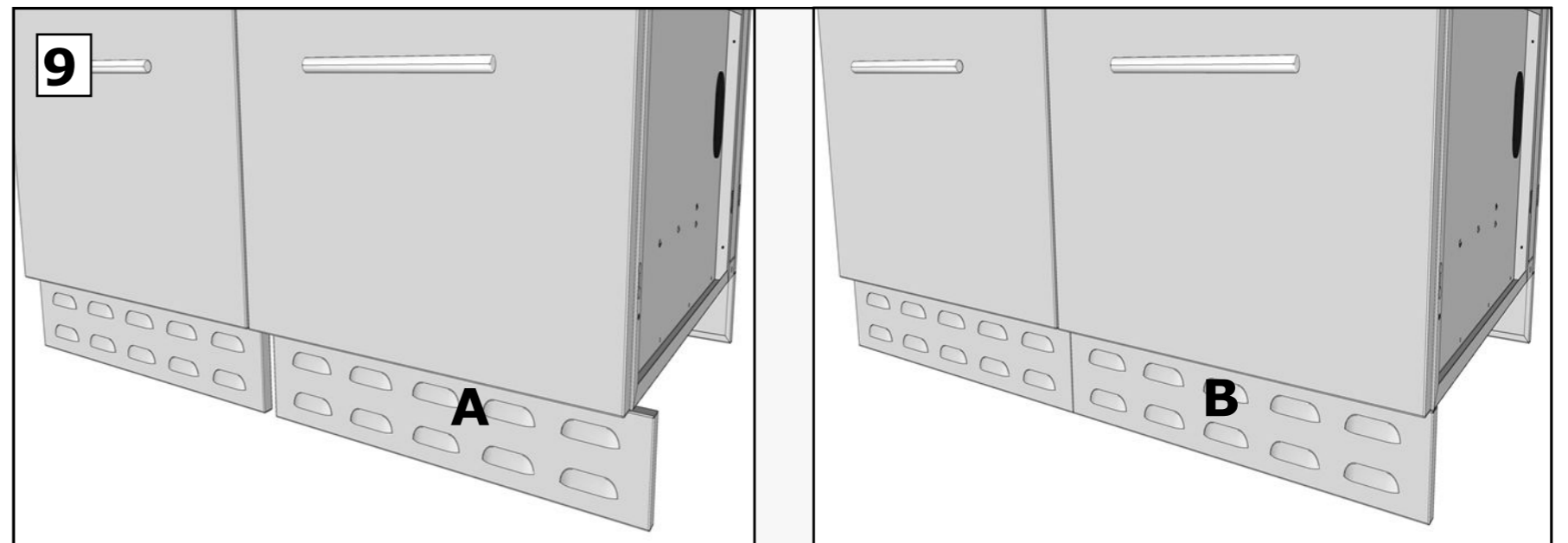
IMPORTANT! Always install Kick-Plates after ALL Cabinets have been completely assembled and leveled. Refer to main cabinet instruction manual for leveling of Peg-Legs. Always install kick-Plates from Left to Right.



(A) Align either the Vented Front Panel or Back Panel to the adjacent Hinge-Bolts. The Kick Plate features an open slot where you can insert panel in then slide through open slot towards the Left.

(C) Figure B illustrates how the Kick Plate should appear after you have inserted it and pushed it along the open slot. It is designed to be free-hanging so to allow it to be removed when needed.

Place Kick-Plates on cabinet by sliding open slots in through the provided small peg bolts, then sliding to the Right. They can be easily removed if you require access to underside of cabinet. Always install Kick-Plates from Left to Right, in any cabinet package the End Kickplates are installed last.



(A) Continue on to the next cabinet from Left to Right and insert Kick Plate as shown before.

(C) Push the following Kick Plate all the way up to the adjacent Kick Plate leaving no gaps.