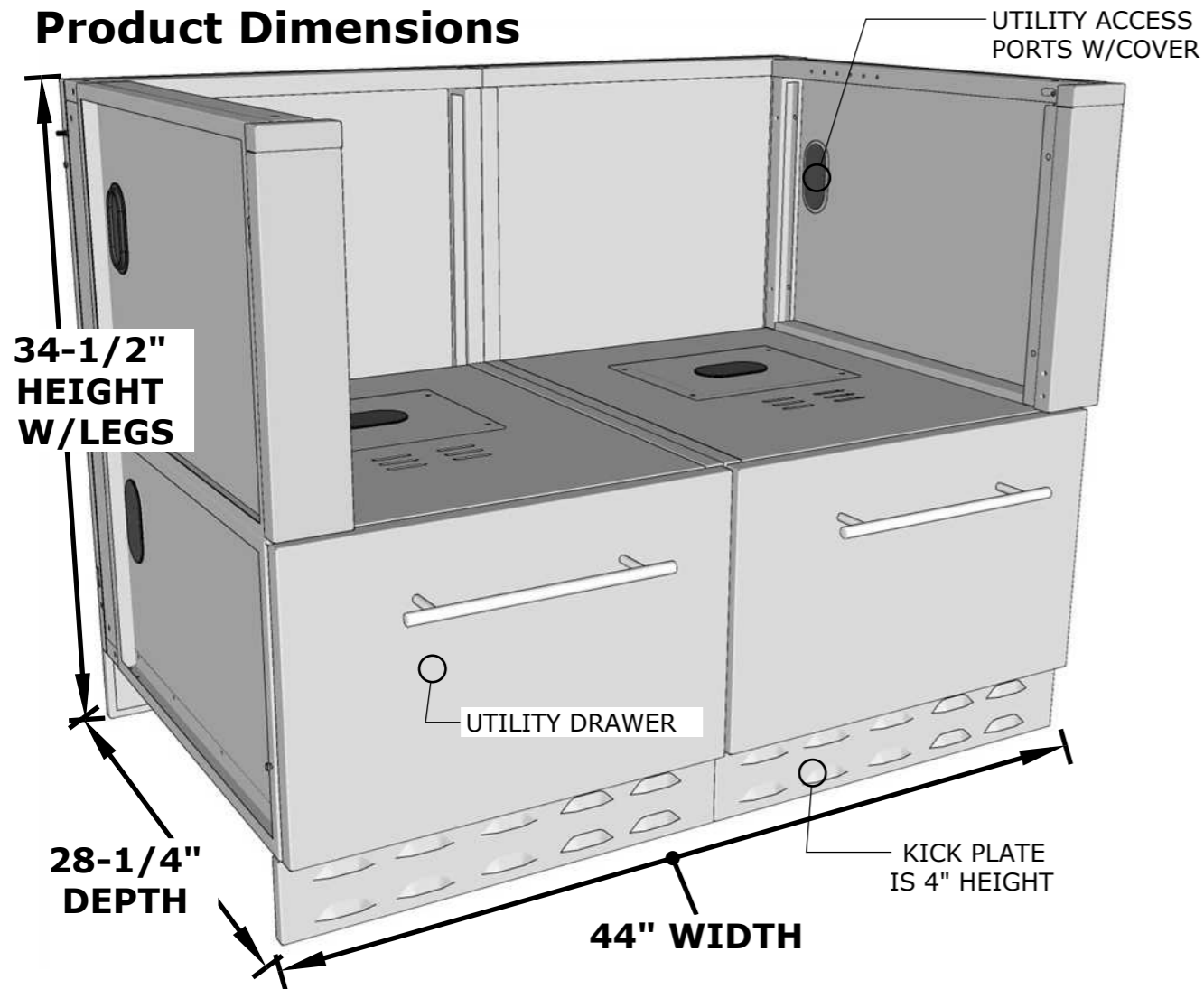
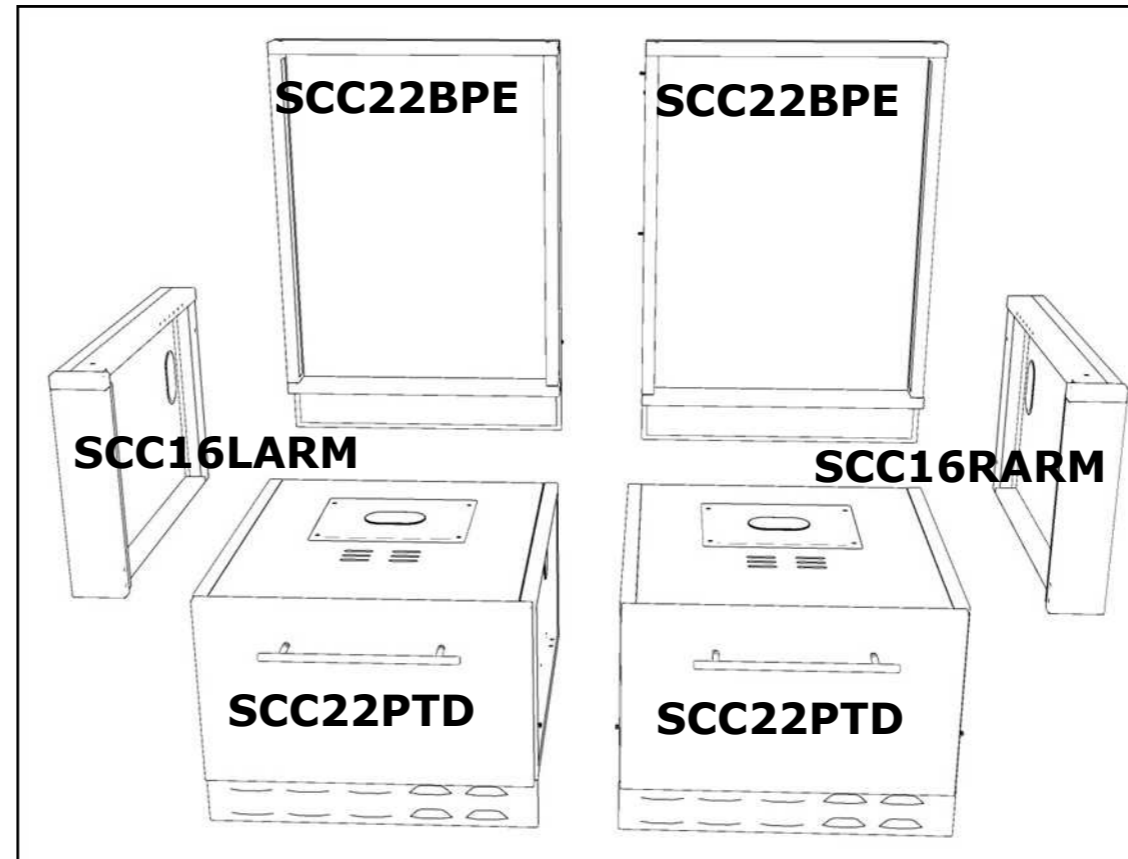


Product Dimensions



Product Components

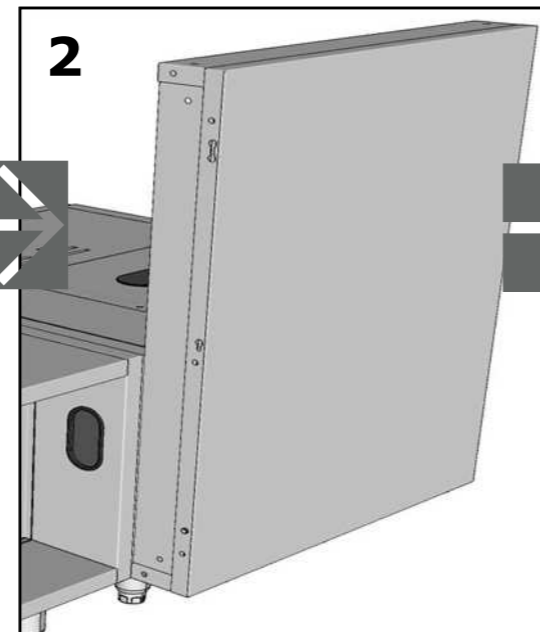


* Reconfigure similar components as you wish into multiple configurations

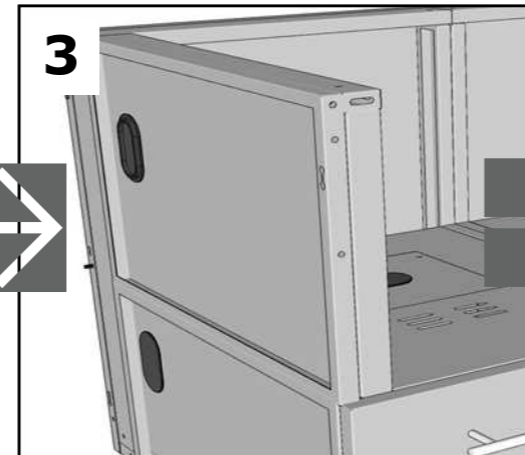
Quick Setup Guide - These Steps are Required to be Completed before connecting cabinet to any adjacent cabinet within your island package.



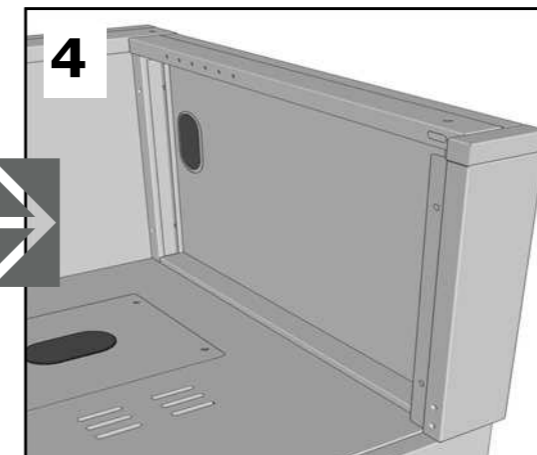
1. Fasten on the included (4) Peg-Legs for each of the SCC22PTD Drawer Bases. Lift and Hinge the cabinets together, then secure with connecting bolts. Fasten on both Handles.



2. Hinge the (2) SCC22BPE cabinet panels to the back connecting (2) SCC22PTD Drawer Bases.



3. Connect each Left and Right Side Arm SCC16LARM & SCC16RARM.



4. Fasten on each Left and Right Side Trim-Kits. Trim-Kits must be installed before cabinet is connected to other opposing cabinets on either side.

SUNSTONE METAL PRODUCTS
16004 CENTRAL COMMERCE DR.
PFLUGERVILLE, TEXAS 78660
Tel: 888.934.9449
Bus: 512.487.5116
Fax: 512.487.7016

PRODUCT

44" Appliance Cabinet for Hybrid Pellet Grills

Item No. SAC44HGDC

DESCRIPTION

44" Appliance Cabinet

- Lifetime Structure Warranty
- 304 Stainless Steel Structure
- 304 SS Rod Handles
- Front & Back Kick-Plates
- Easy Pin-Lock Installation
- Soft-Close Drawer Tracks
- Covered Access Ports
- Adjustable Peg-Legs
- Optional Wheel Casters

INCLUDED COMPONENTS

- (2) SCC22PTD
- (2) SCC22BPE
- (1) SCC16RARM
- (1) SCC16LARM
- (2) Front Vented Kick Plate
- (2) Back Solid Kick Plate
- (8) Adjustable Peg Legs
- (2) 304 SS Rod Handles

PRODUCT DIMENSIONS

44"W x 28-1/4"D (w/Drawers) x 34-1/2"H (w/Legs) or 30-1/2"H (no Legs) or Upto 36" Max Adjustable Height

INSERTABLE PRODUCTS

Sunstone® 44" Pellet Grill
(See next page Trim Kit Guide for other insertable product Brands)

MATERIAL SPECS

304 Stainless Steel entire structure, 18 Gauge for Door Panel, 18 Gauge for Cabinet Box, 18 Gauge for Shelf, Handles are made of Solid 304 Stainless Steel Bar.

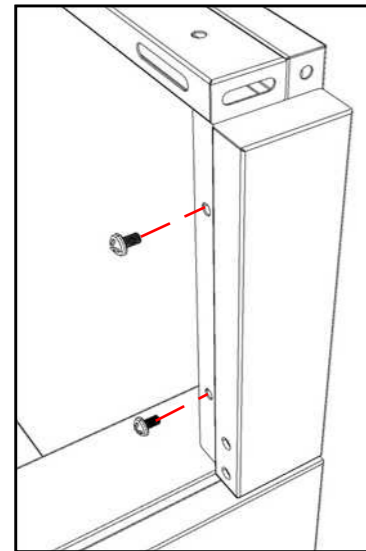
SAC44HGDC TRIM-KIT GUIDE

Disclaimer: The trademarks used in the "Product Option" column below belong to their respective owners who do not sponsor nor are they affiliated with Sunstone Metal Products, L.L.C. The specific product Cut-Out Dimensions have not been directly confirmed by any Sunstone Metal Products LLC, representative or employee. Use own discretion to confirm exact product fit.

Model Number	Sleeve Cut-Out	Product Option
SCCHGCTK3	38" Width x 16-1/4" Height x 24-1/2" Maximum Depth	Sunstone® 40" Pellet Grill, (In Combination w/(2) SCCPTD Base Drawers and other REQ Components)
SCCHGCTK4.75	35" Width x 16-1/4" Height x 24-1/2" Maximum Depth	Coyote® 36" Pellet Grill, Twin Eagles® 36" Pellet Grill, AMC® 36" Hybrid Grill,
SCCHGCTK6.25	26-3/4" Width x 16-1/4" Height x 24-1/2" Maximum Depth	No Known Models

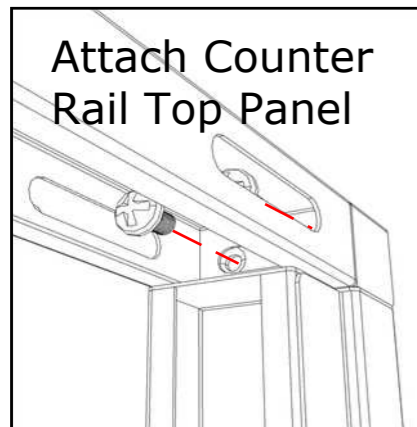
1.

Attach each Trim Kit Panel to each side

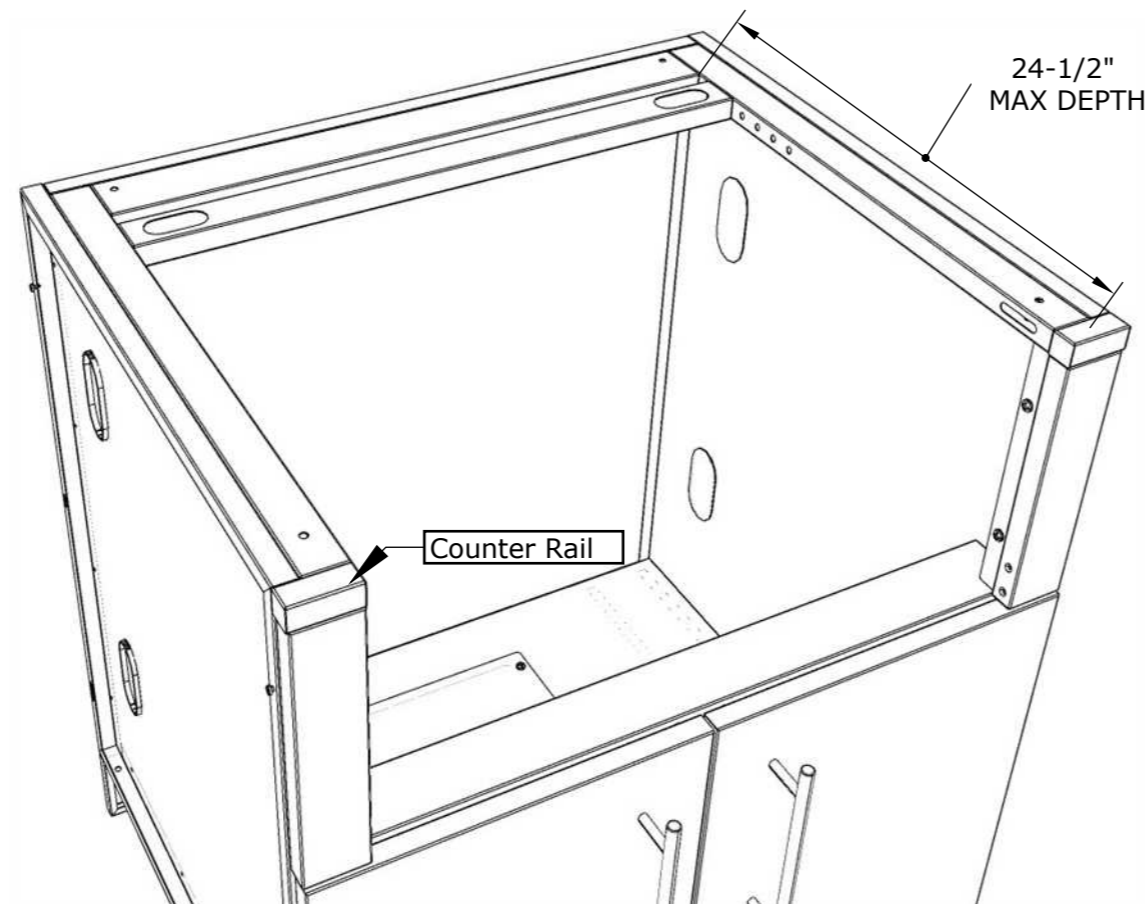


2.

Attach Counter Rail Top Panel



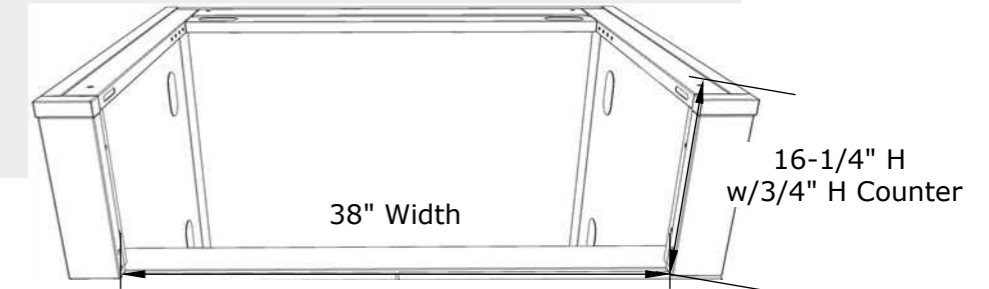
CALL OUR TECH. SUPPORT 888-934-9449



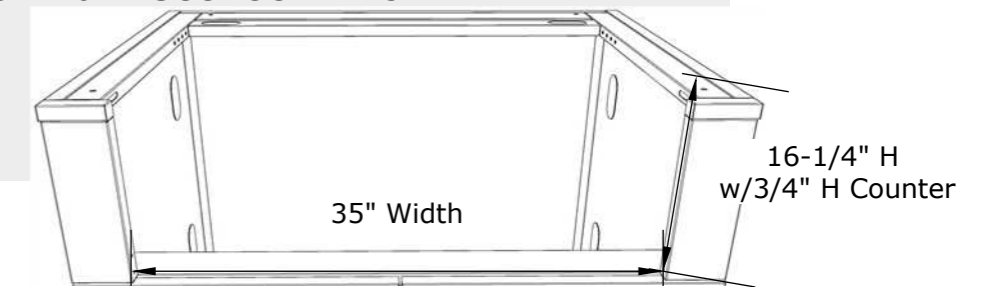
Trim-Kit Sleeve Dimensions

Compatible between 26-3/8 In. Width and 38 In. Width x 16-1/4 In. Height x 24-1/2 In. Depth Max Height with counter at 3/4 In. Height (Additional Height can be adjusted by Removing Bottom Filler Rail or by adding a Thicker Counter or Backer Board)

Item No. SCCHGCTK3



Item No. SCCHGCTK4.75



Item No. SCCHGCTK6.25

