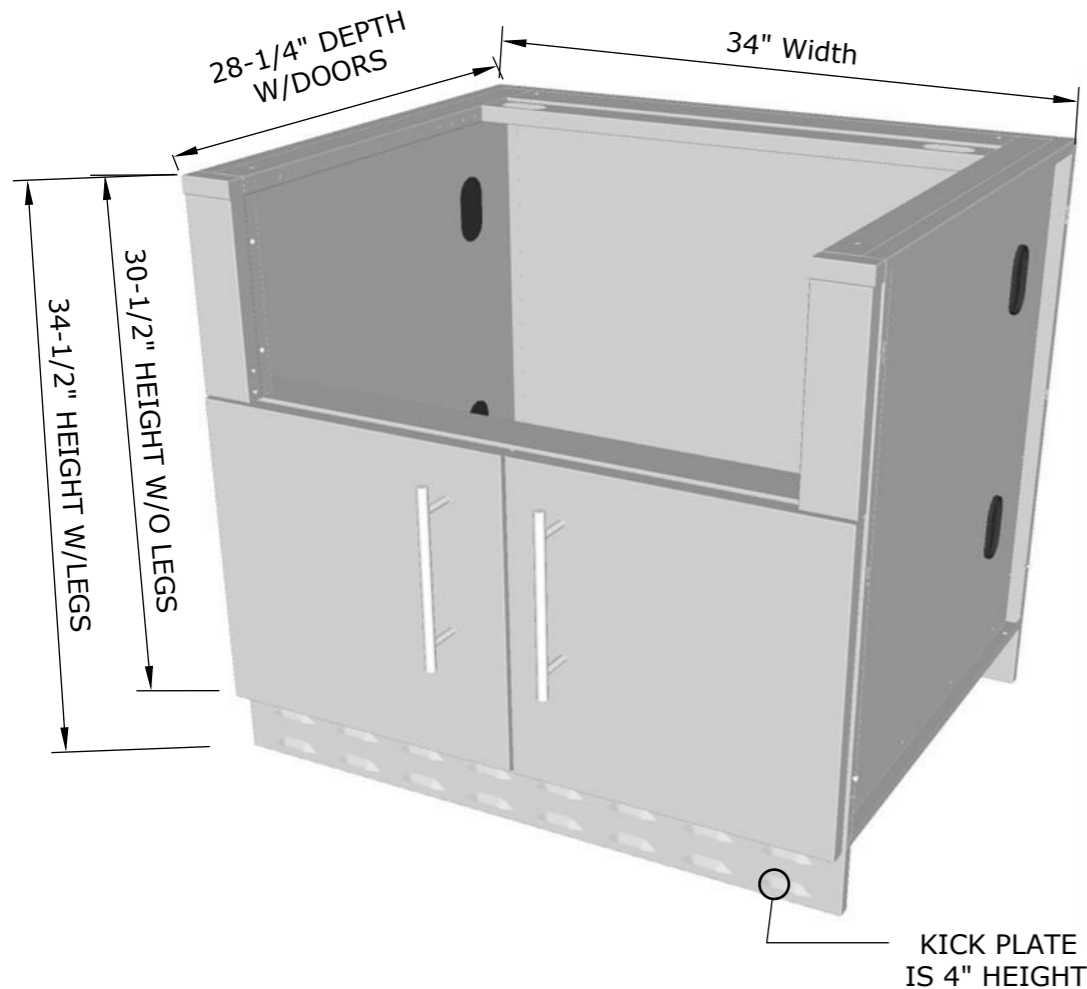
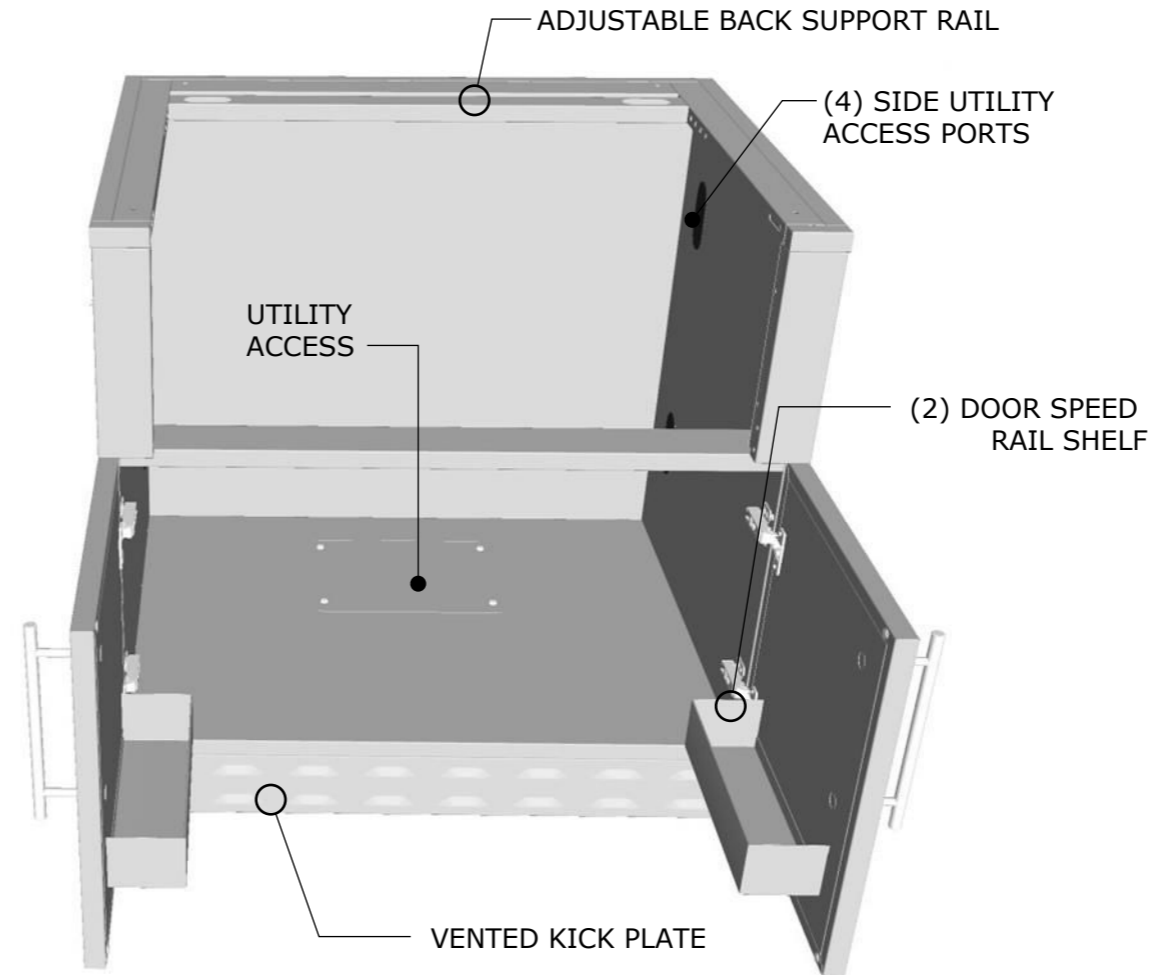


Product Dimensions



Product Components



SUNSTONE METAL PRODUCTS
 16004 CENTRAL COMMERCE DR.
 PFLUGERVILLE, TEXAS 78660
 Tel: 888.934.9449
 Bus: 512.487.5116
 Fax: 512.487.7016

PRODUCT

34" Appliance Cabinet for Item No. SUNCHDZ28 & SUNCHSZ30

Item No. SAC34CGDC

DESCRIPTION

- Lifetime Structure Warranty
- 304 Stainless Steel Structure
- 304 SS Rod Handles
- Front & Back Kick-Plates
- Easy Pin-Lock Installation
- Soft-Close Drawer Tracks
- Covered Access Ports
- Adjustable Peg-Legs
- Optional Wheel Casters

INCLUDED COMPONENTS

- Front Vented Kick Plate
- Back Solid Kick Plate
- (4) Adjustable Peg Legs
- Trim-Kit - SCC34CTK3.75

PRODUCT DIMENSIONS

34"W x 28-1/4"D (w/Doors) x 34-1/2"H (w/Legs) or 30-1/2"H (no Legs) or Upto 36" Max Adjustable Height

INSERTABLE PRODUCTS

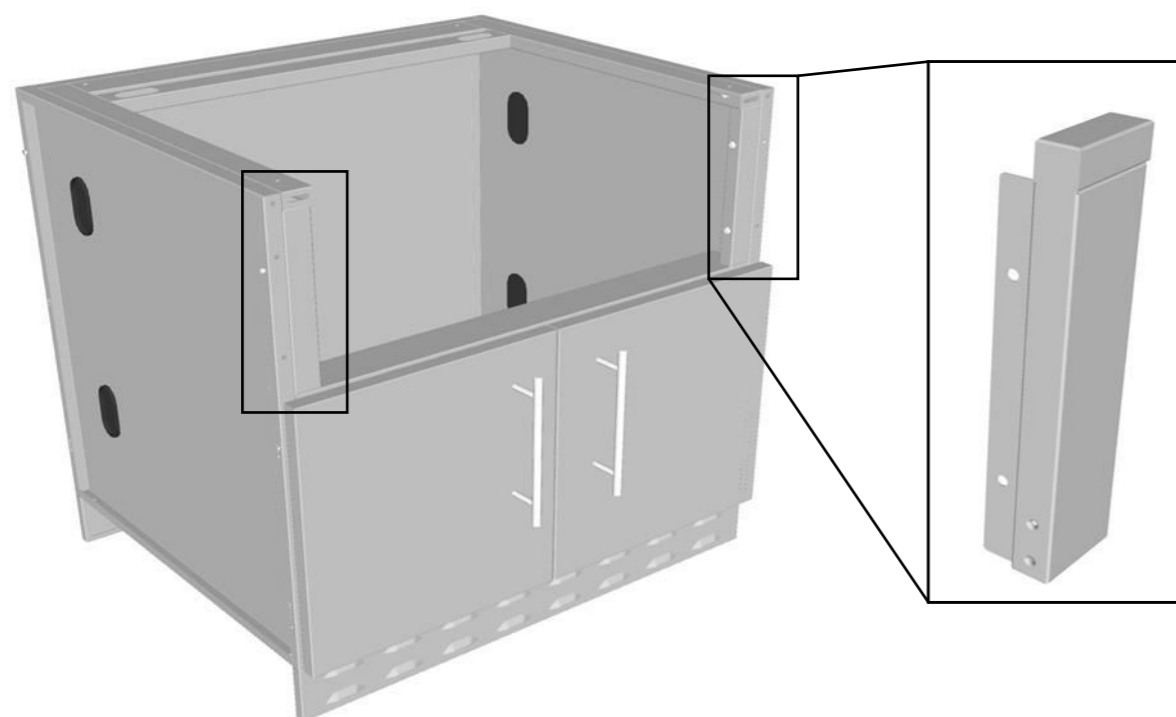
SUNCHDZ28 & SUNCHSZ30

(See next page Trim Kit Guide for other insertable product Brands)

MATERIAL SPECS

304 Stainless Steel entire structure, 18 Gauge for Door Panel, 18 Gauge for Cabinet Box, 18 Gauge for Shelf, Handles are made of Solid 304 Stainless Steel Bar.

CALL OUR TECH. SUPPORT 888-934-9449



TRIM-KIT REQUIRED FOR CABINET
 SEE 2ND PAGE FOR MORE INFO

Appliance Cabinet is shipped without the required Trim-Kit, this is because the cabinet accommodates multiple appliance sizes. If you have received the Trim-Kit it will be located in a separate package. If you do not have the Trim-Kit you must contact our technical support at 888-934-9449

service@sunstonemetalproducts.com

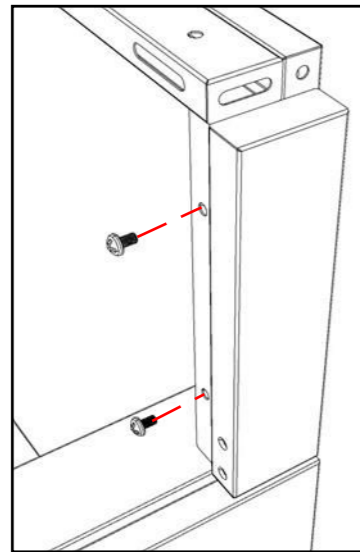
SAC34CGDC TRIM-KIT

Disclaimer: The trademarks used in the "Product Option" column below belong to their respective owners who do not sponsor nor are they affiliated with Sunstone Metal Products, L.L.C. The specific product Cut-Out Dimensions have not been directly confirmed by any Sunstone Metal Products LLC, representative or employee. Use own discretion to confirm exact product fit.

Model Number	Sleeve Cut-Out	Product Option
SCC34CTK2.5	29" Width x 12-3/4" Height x 24-1/2" Maximum Depth	PCM® 30" Charcoal, Twin Eagles® 30" Charcoal, Vintage® 30" Charcoal, Alfresco® 30" Varsa Apron Sink, Solaire® 30" Bar Station, Bull® 30" Bar Center, Beefeater® 30" Bar Center, Lynx® 30" Bar Center
SCC34CTK3.25	27-1/2" Width x 12-3/4" Height x 24-1/2" Maximum Depth	PGS® 27" Beverage Center, Sunstone® 30" Hybrid Grill
SCC34CTK3.75	26-3/8" Width x 10-3/8" Height w/Rail or 12-3/4" Height wo/Rail x 24-1/2" Maximum Depth	Sunstone® 28" Charcoal, Fire Magic® Aurora® Grill
SCC34CTK4.5	25" Width x 10-3/8" Height w/Rail or 12-3/4" Height wo/Rail x 24-1/2" Maximum Depth	
SCC34CTK5	23-7/8" Width x 10-3/8" Height w/Rail or 12-3/4" Height wo/Rail x 24-1/2" Maximum Depth	PGS® 24" Beverage Center, Solaire 24" Bartending Station,

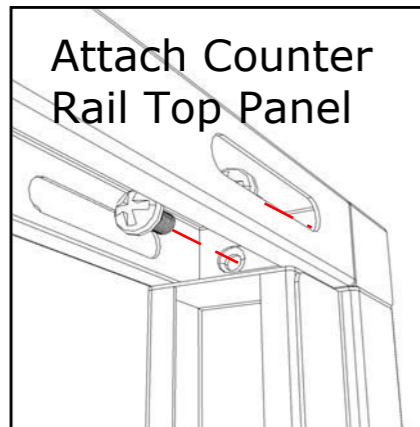
1.

Attach each Trim Kit Panel to each side

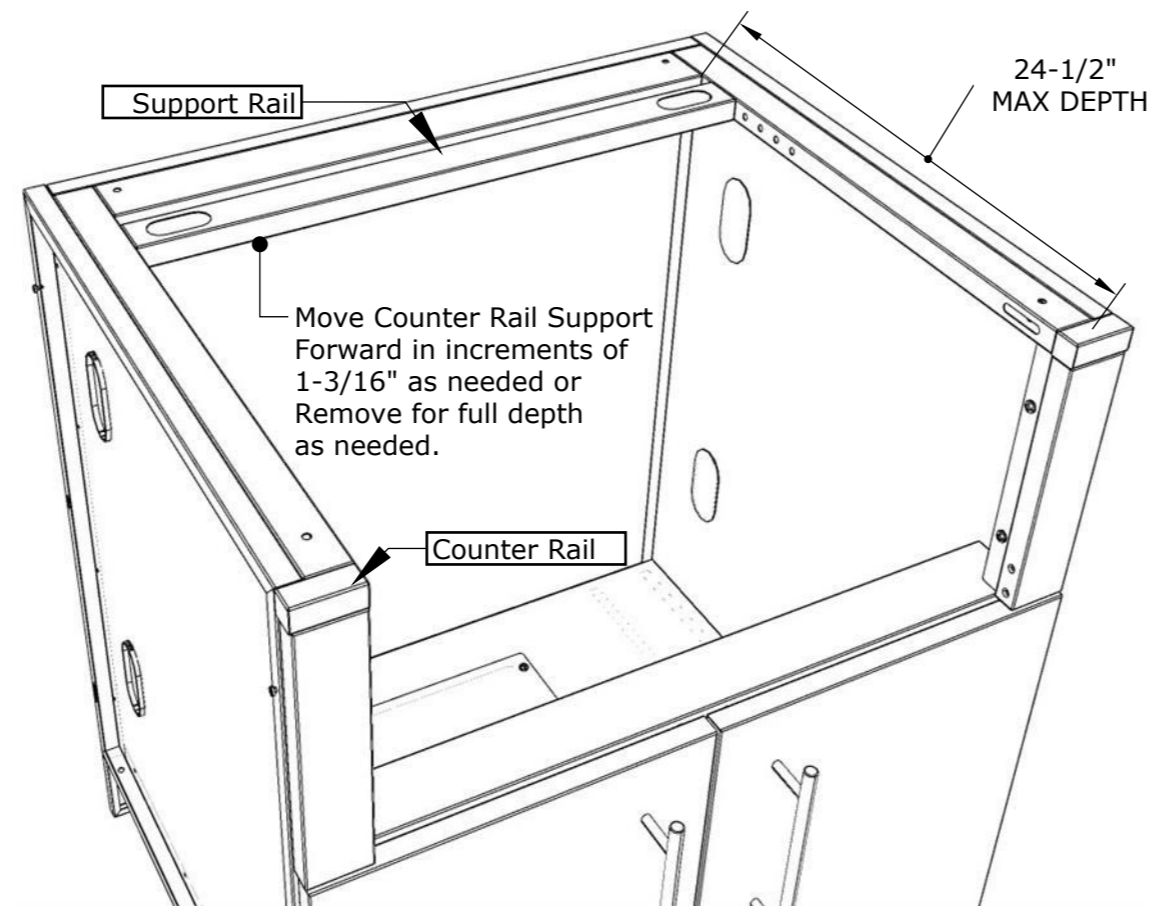


2.

Attach Counter Rail Top Panel



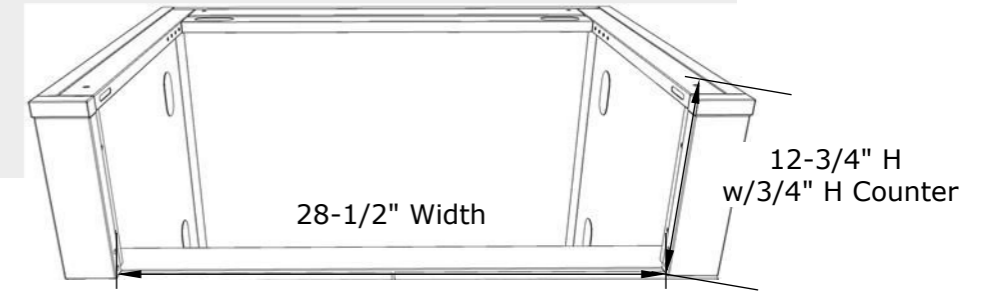
CALL OUR TECH. SUPPORT 888-934-9449



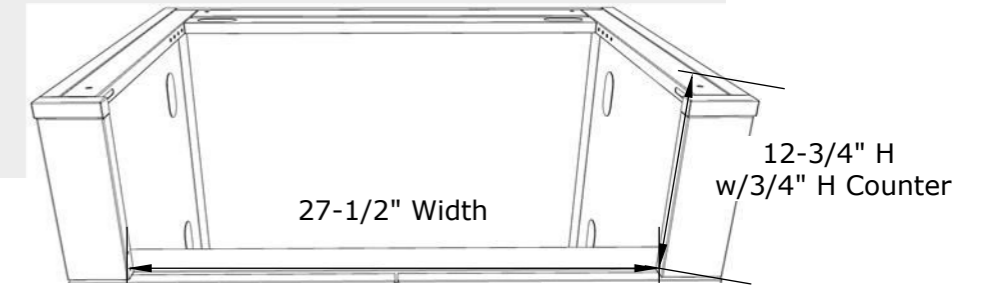
Trim-Kit Sleeve Dimensions

Compatible between 23-7/8" to 28-1/2", 10-3/8" to 12-3/4" Max Height with counter at 3/4" Height with Filler Rail installed or removed. (Additional Height can be adjusted by Removing Bottom Filler Rail or by adding a Thicker Counter or Backer Board)

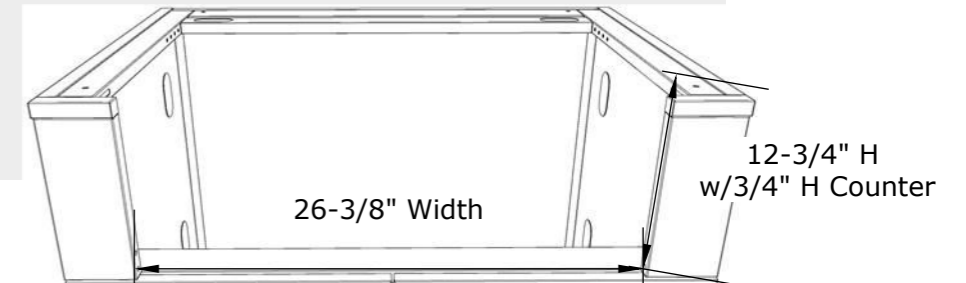
Item No. SCC34CTK2.5



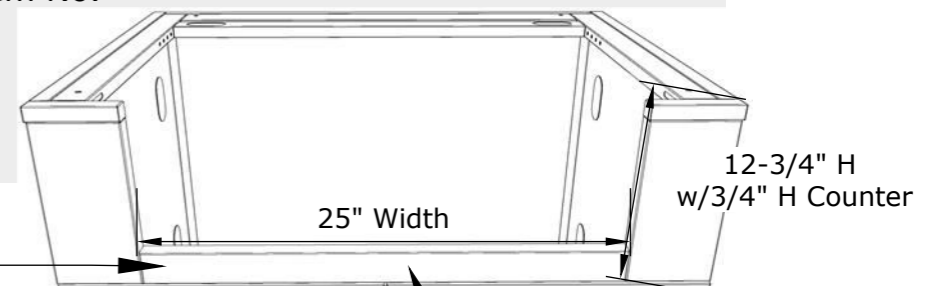
Item No. SCC34CTK3.25



Item No. SCC34CTK3.75



Item No. SCC34CTK4.5



Removable Filler Rail makes Height 10-3/8" H w/Counter

Item No. SCC34CTK5



Removable Filler Rail makes Height 10-3/8" H w/Counter