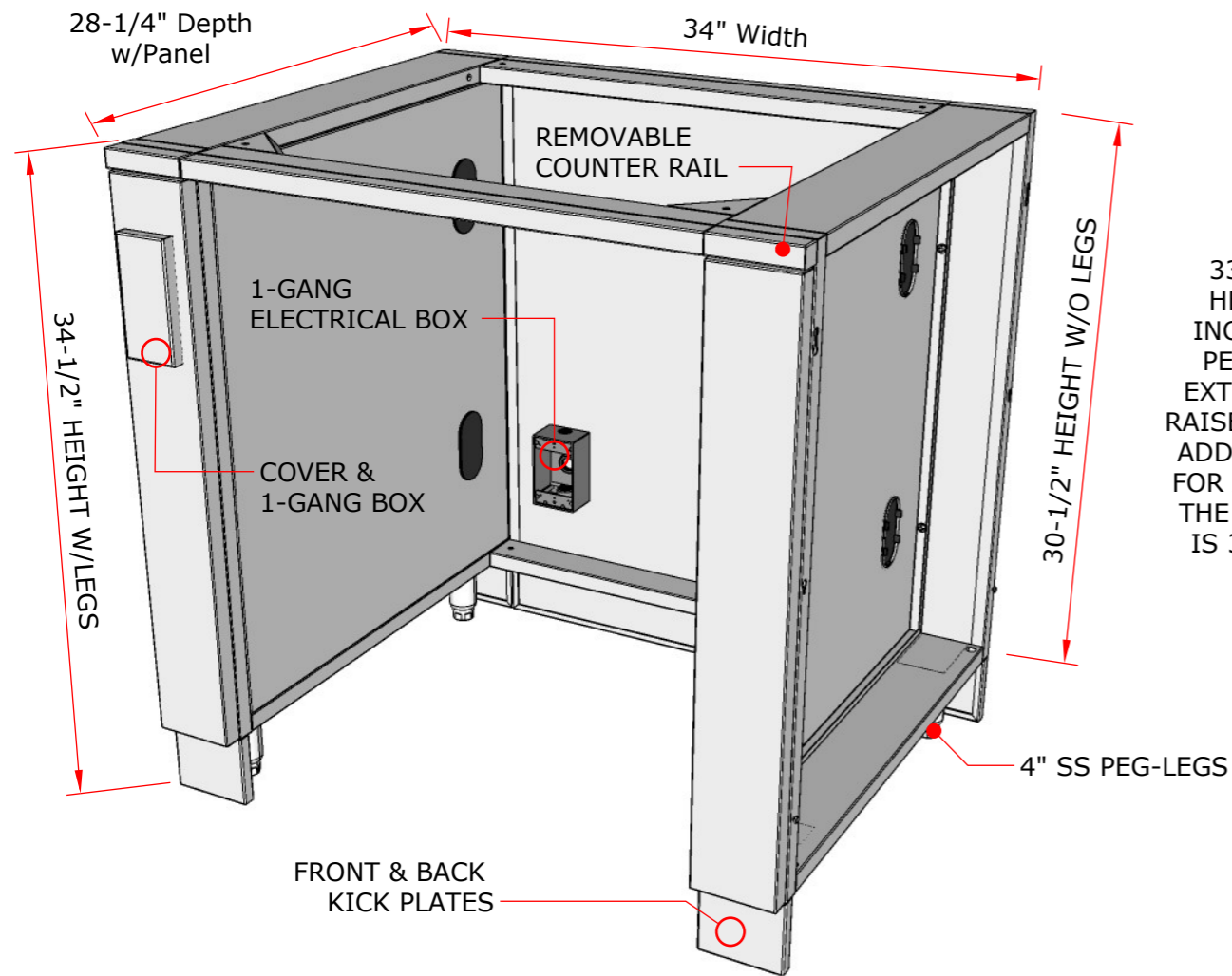
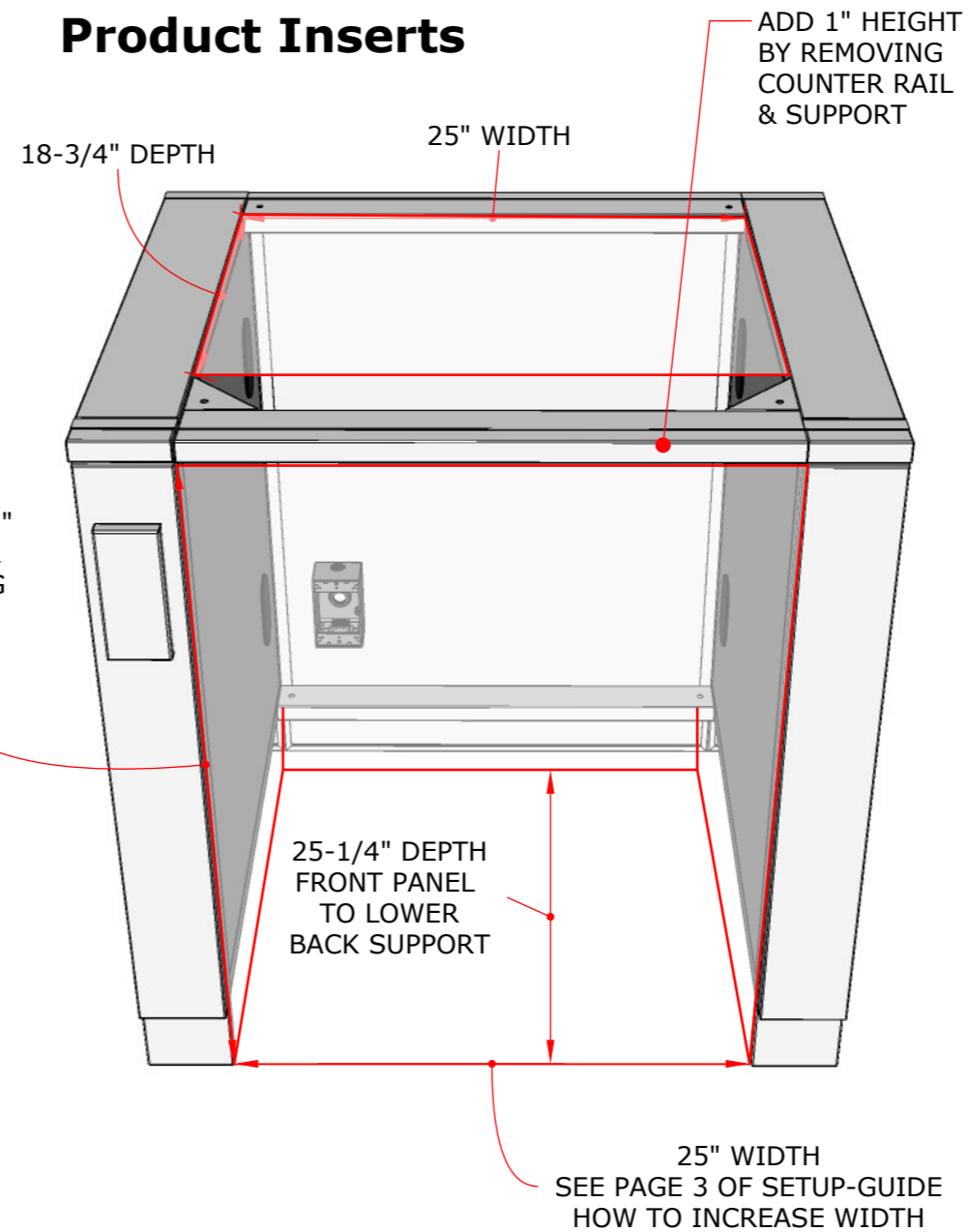


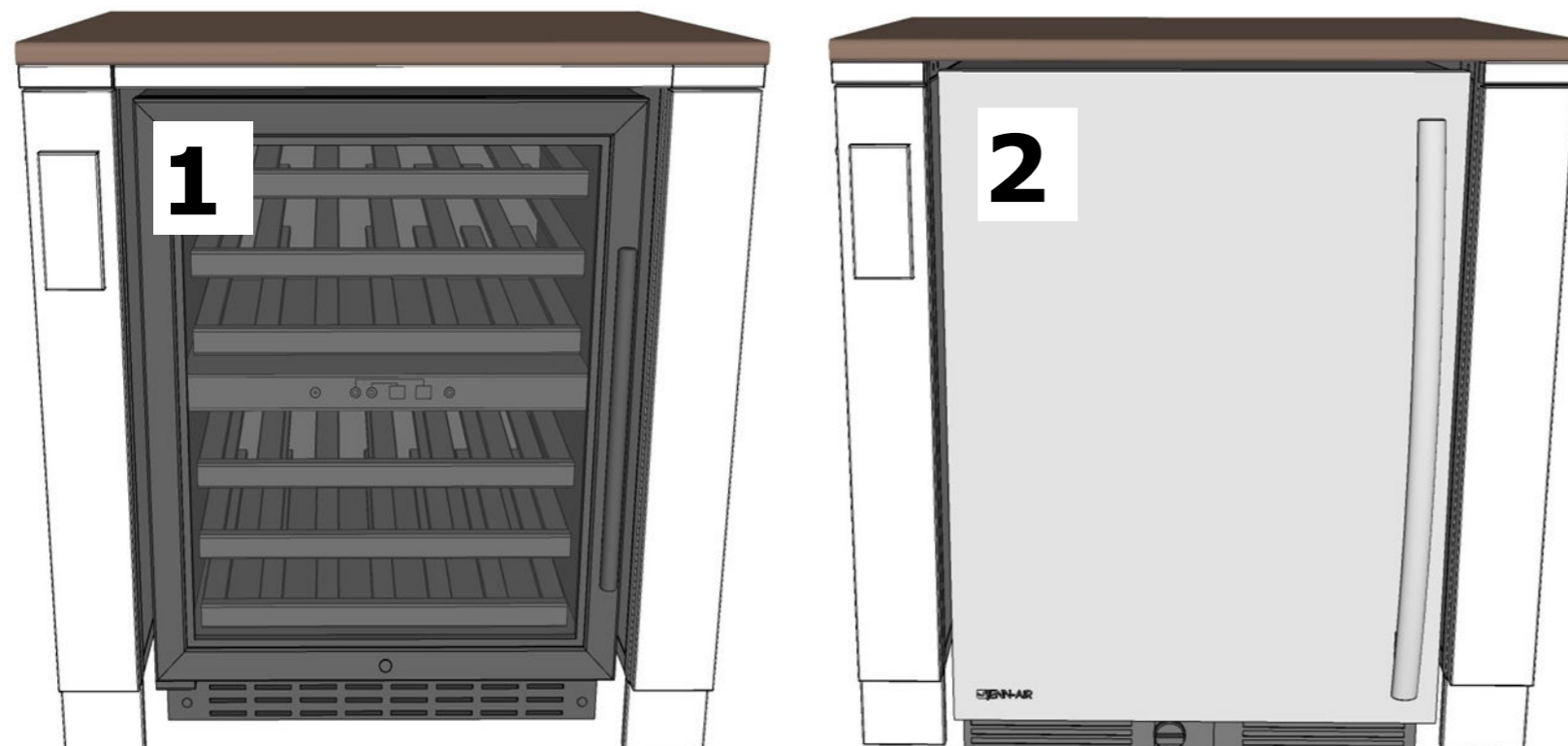
Product Dimensions



Product Inserts



Configuration Options



1. Standard Appliance insert is 25" Width by 34" Height - leave min. 1/2" clearance all sides.

2. Remove top Counter Rail & Support to give additional 1" Height for taller appliance. Adjust Peg-Leg Upto 1-1/2" for increased height allowance.

SUNSTONE METAL PRODUCTS
16004 CENTRAL COMMERCE DR.
PFLUGERVILLE, TEXAS 78660
Tel: 888.934.9449
Bus: 512.487.5116
Fax: 512.487.7016

PRODUCT

34" Appliance For up to 25" Wide Fridge

Item No. SAC34APC

DESCRIPTION

34" Appliance Cabinet for up to 25" Fridges & Ice Makers w/Convenient front Electrical Cover & Interior Back Panel 1-Gang Electrical Box

- Lifetime Structure Warranty
- 304 Stainless Steel Structure
- Front & Back Kick-Plates
- Easy Pin-Lock Installation
- Covered Access Ports
- Adjustable Peg-Legs
- Optional Wheel Casters
- Assembly Required

INCLUDED COMPONENTS

- Front Kick Plates
- Back Solid Kick Plate
- (4) Adjustable Peg Legs
- Front Electrical Cover
- Back Panel Electrical Box

PRODUCT DIMENSIONS

34"W x 28-1/4"D (w/Panel) x 34-1/2"H (w/Legs) or 30-1/2"H (no Legs) or Upto 36" Max Adjustable Height

INSERT DIMENSIONS

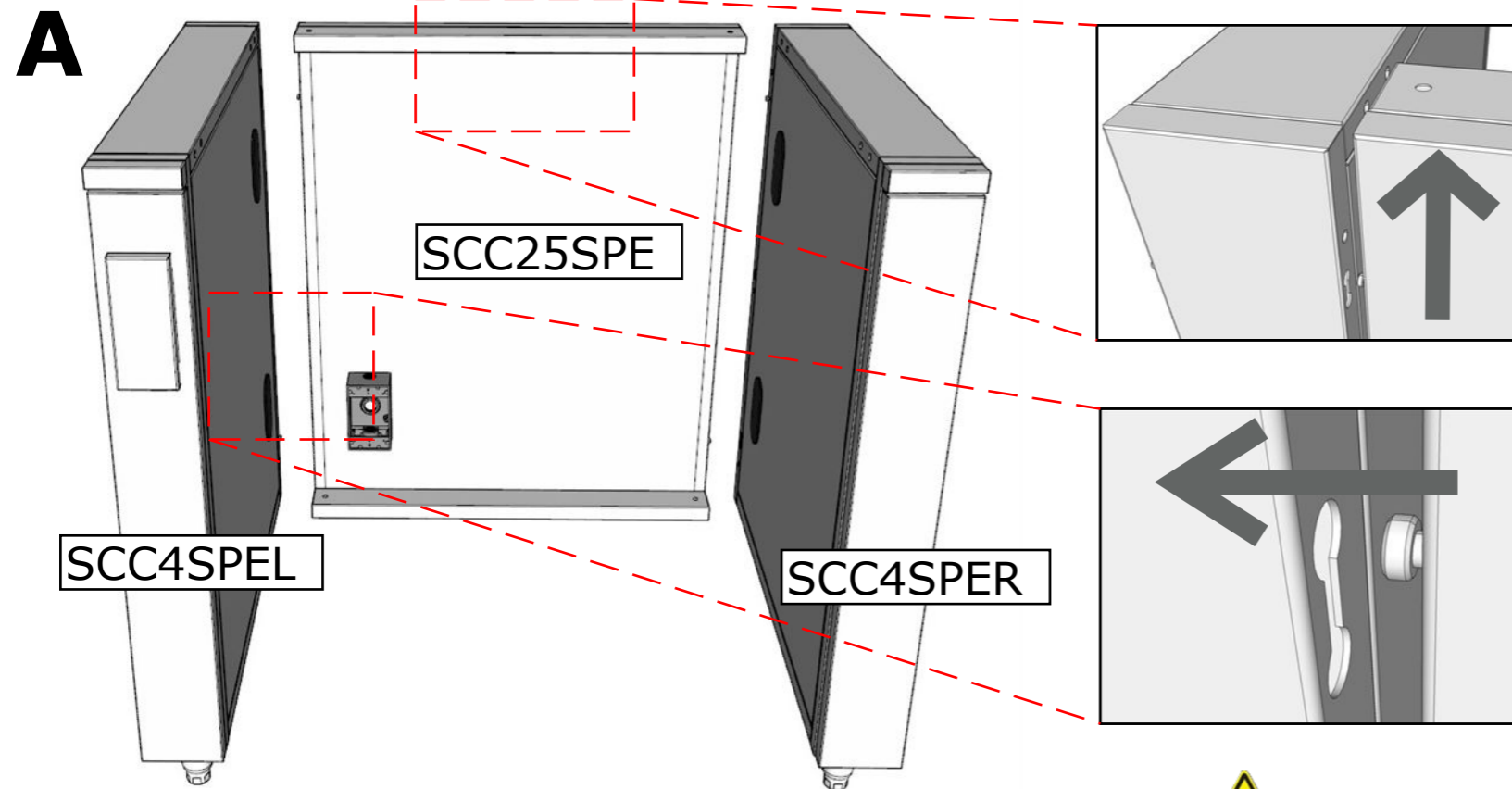
25" Width x 33-1/4" Height x 25-1/4" Depth

INSERTABLE PRODUCTS

Works with up to 25" Wide x 35-1/2" Height Fridges, Wine Coolers & Ice Makers

MATERIAL SPECS

304 Stainless Steel entire structure, 18 Gauge for Door Panel, 18 Gauge for Cabinet Box, 18 Gauge for Shelf, Handles are made of Solid 304 Stainless Steel Bar.

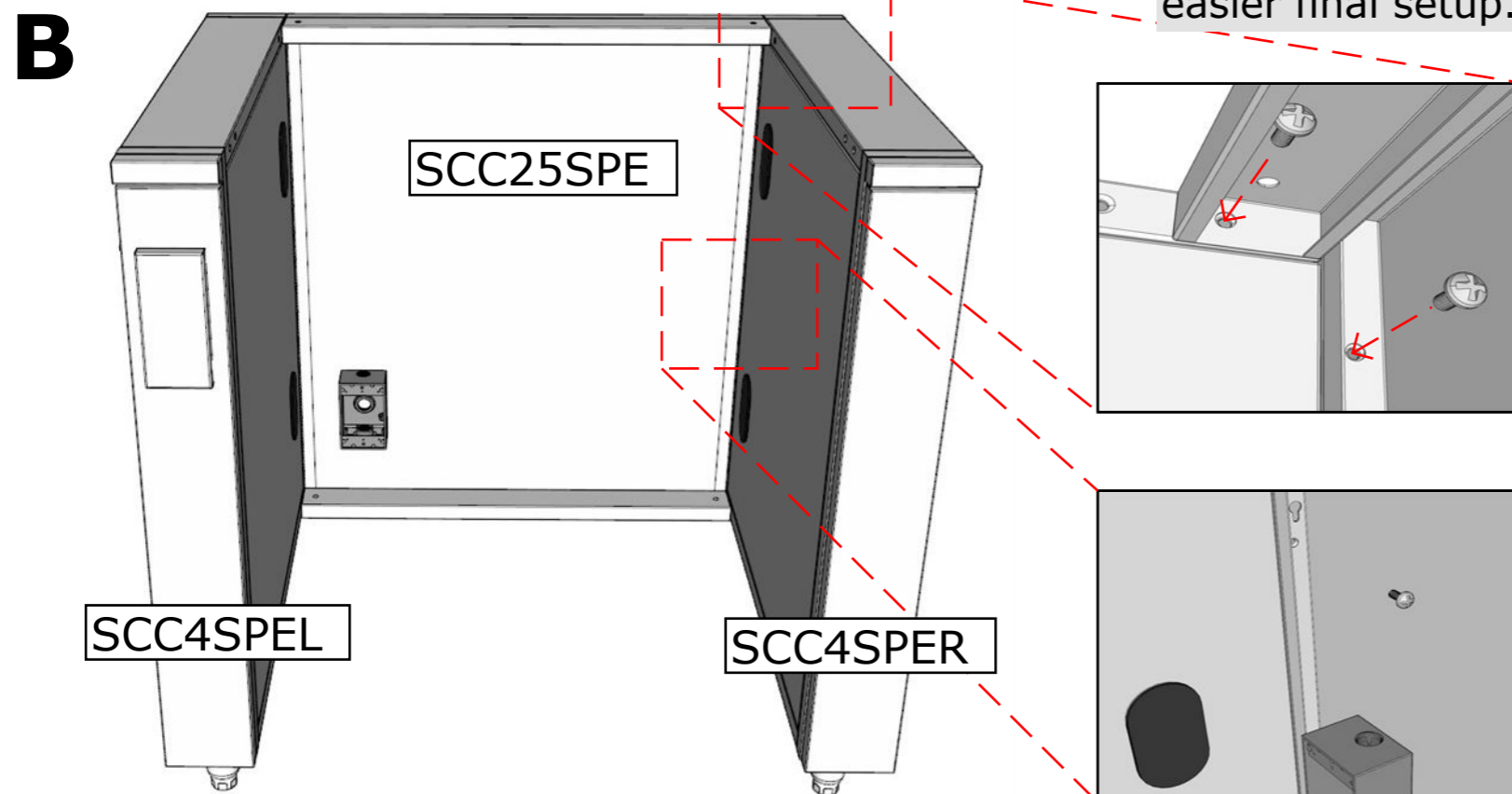


Before proceeding, review the individual Specification Sheets of each Panel, follow any base setup instructions - do not install any kickplates.

Bring all three panels together Item Numbers SCC25SPE, SCC4SPEL & SCC4SPER while supporting each in hand upright, elevate the back panel SCC25SPE so the individual Pins align up to the adjacent notches and the back panel attaches to each side item SCC4SPEL on left and SCC4SPER on right.



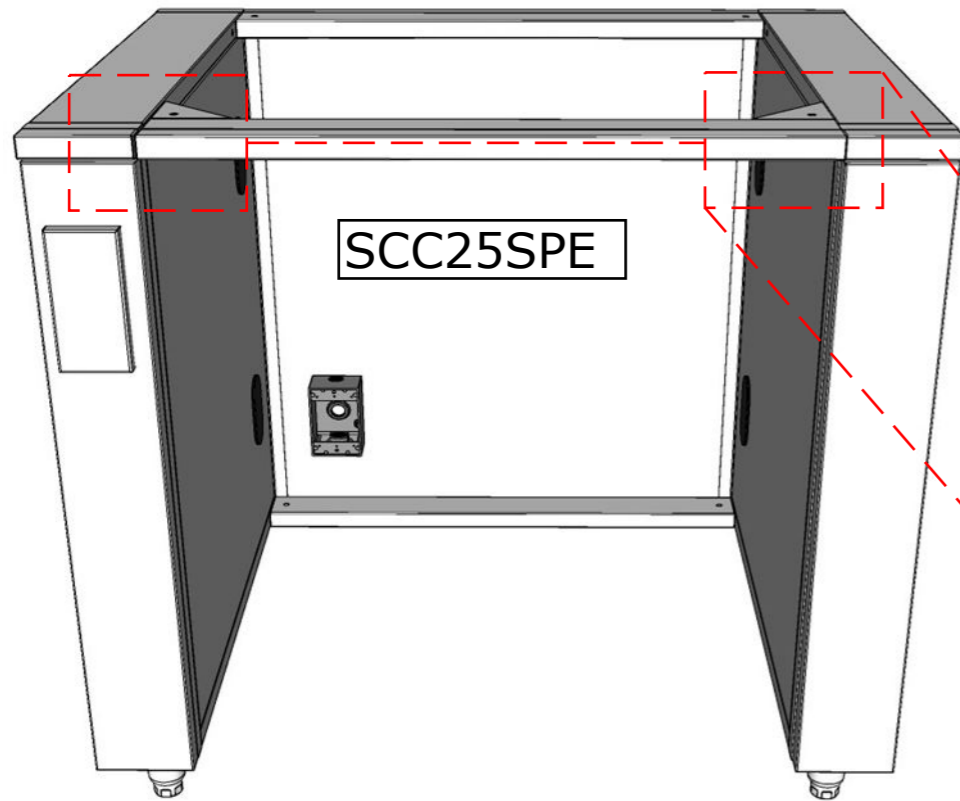
IMPORTANT! Be sure all front facing Electrical which do not have visible access after cabinets are attached, are wired before you attach cabinets - for easier final setup.



There are Four pre-drilled holes in each back end side of each panel - the holes on either the SCC4SPEL & SCC4SPER are threaded. Using a Philips Screw Driver hand screw in Four provided screws on either side, two at the top one in the middle and one at the bottom.

IMPORTANT!! - COMPLETELY READ ALL INSTRUCTIONS BEFORE PROCEEDING

C



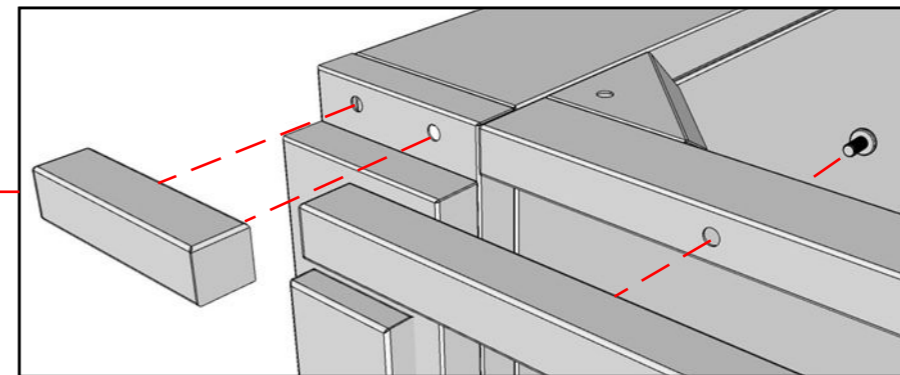
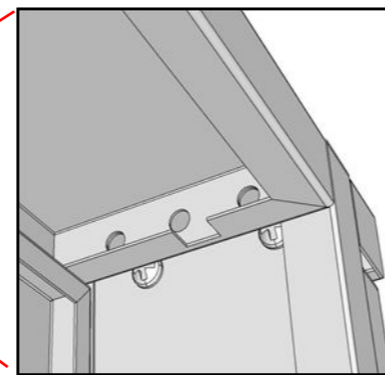
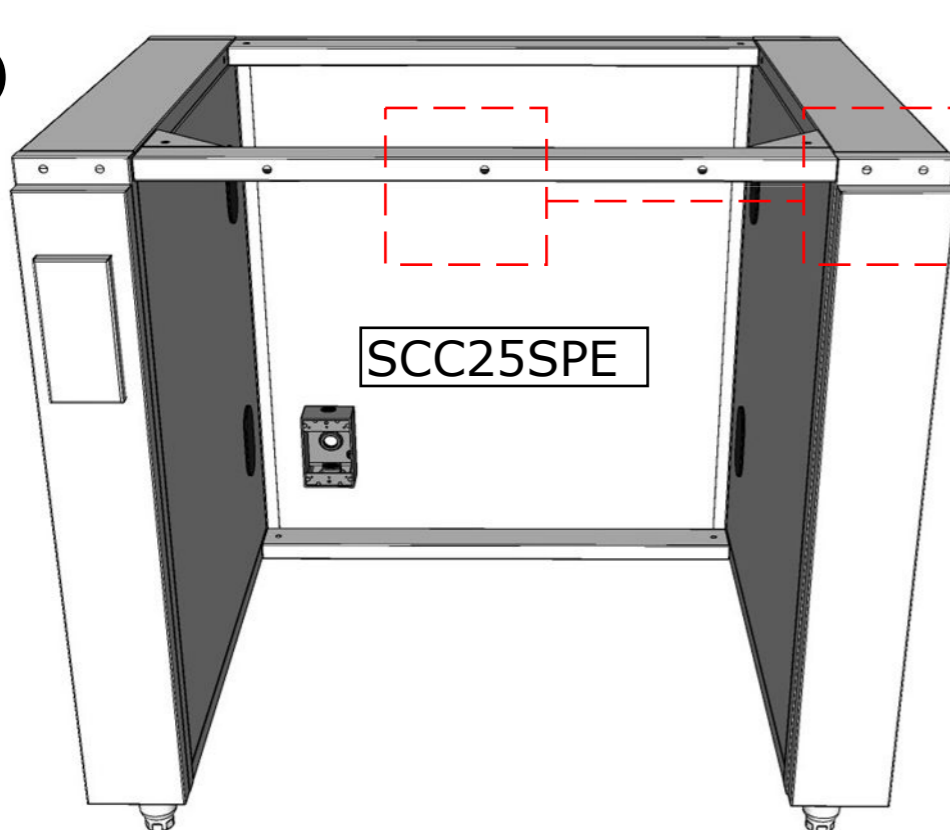
IMPORTANT! If you are placing any appliance which product height is higher than 34-1/2", you can either increase the height of Peg-Leg up to an additional 1-1/2" higher, or simply do not install the Support Arm giving you an immediate 1" additional height clearance.

Packaged with the back panel item no. SCC25SPE there is a cross-beam support with counter rail attached. This support beam supports the counter front. Using included screws mount this panel at the Left & Right Side as shown in figure C to left.

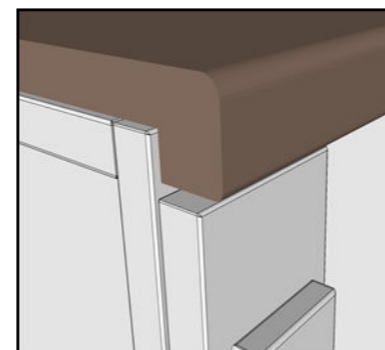


IMPORTANT! If you are planning to remove Counter Rails for Full Bullnose or Waterfall Counter Edge, you **MUST** remove all Counter Rails **BEFORE** cabinets are connected to each other and **BEFORE** counter is installed.

D

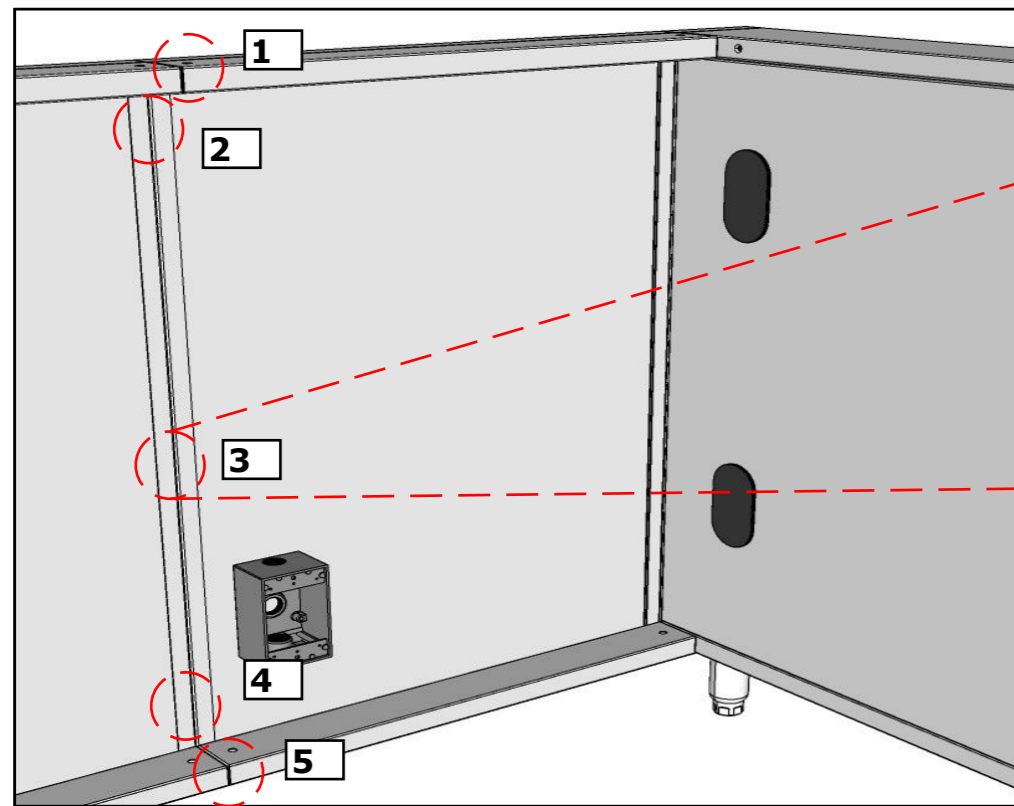


WATERFALL EDGE EXAMPLE

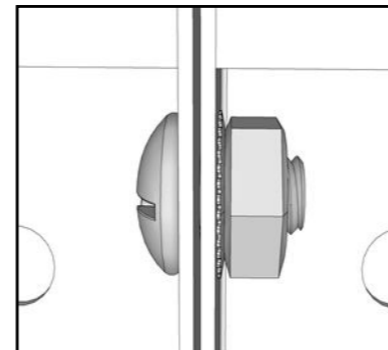
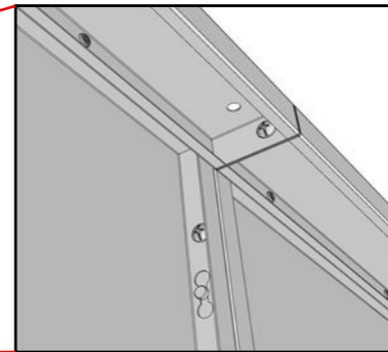


If you intend to have your counter to include a type of Full Bullnose or Waterfall edge, you can remove the counter rail allowing the counters edge to be near to the cabinet instead of extending beyond the front panel wall.

E

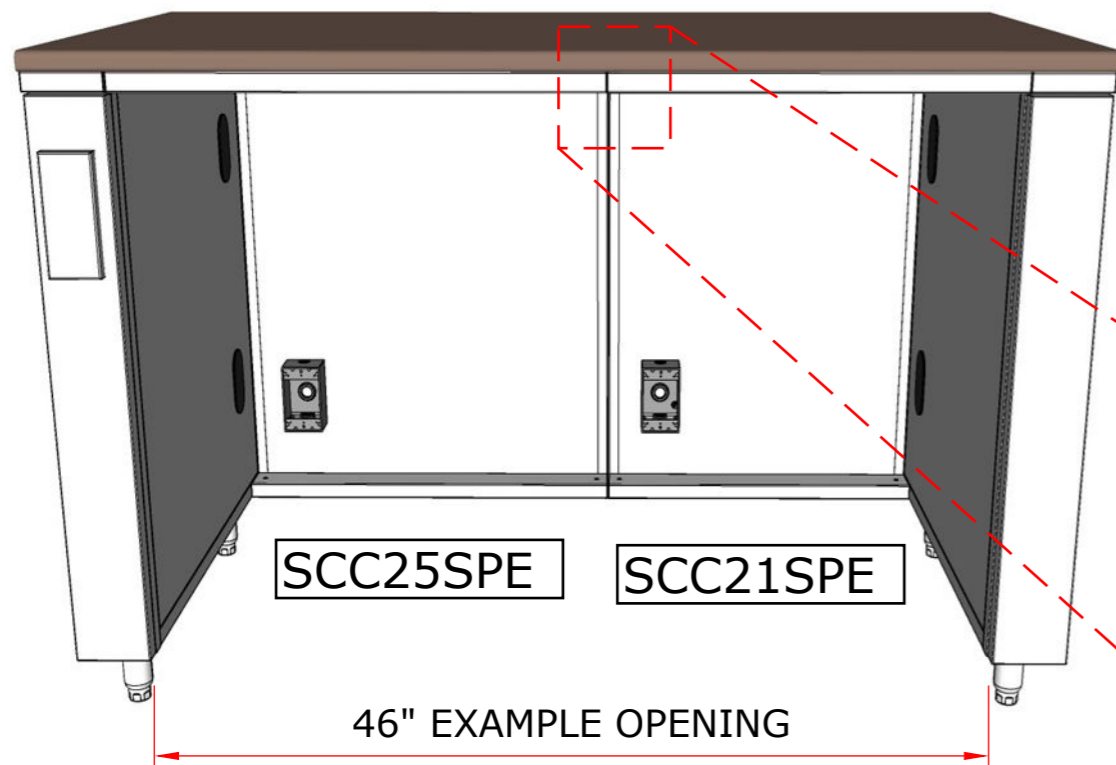


CREATE MULTIPLE APPLIANCE RUN BY ADDING ADDITIONAL BACK PANELS.

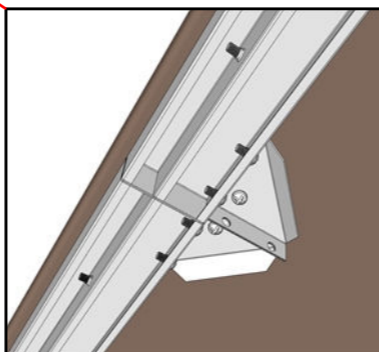


Connect multiple back panels to create multi-fridge Runs use Item No. SCC25SPE for Fridges up to 25" Width, SCC21SPE for Fridges up to 21" Width, and SCC15SPE for Fridges up to 15" Width. When connecting panels together you must use bolts in conjunction with the Lock-Nuts.

F

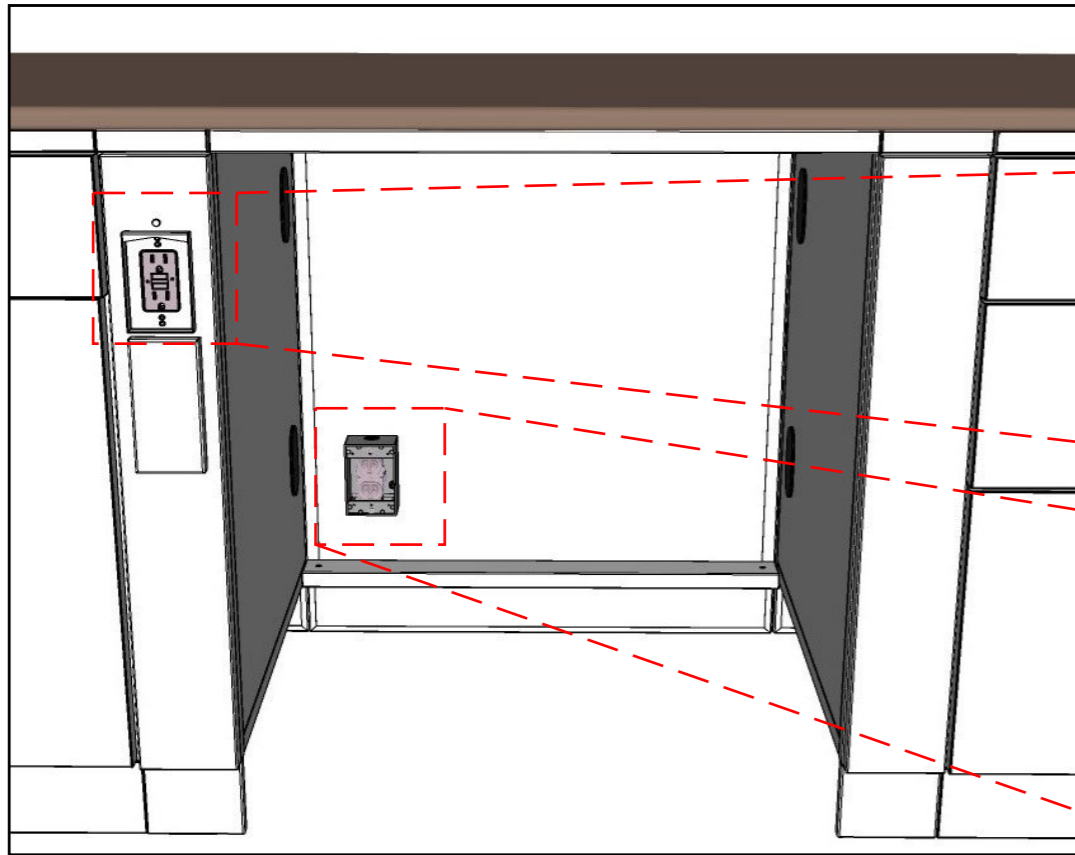


IMPORTANT! When extending the counter across open reaches, when nothing is supporting beneath, the counter installer may need to install special Steel Rod recessed into the underside of counter, consult with your counter installer for more information.

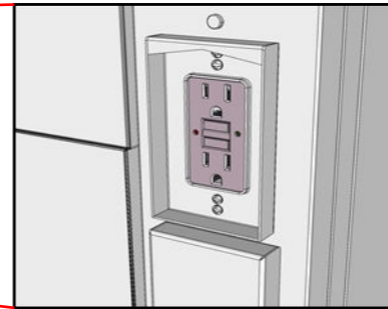


Attach multiple front support arms to underside of counter which helps to create a continuity to the cabinet front trim panels. There are pre-drilled holes in each corner panel - this is where the counter installer can bolt from underside securing support arms in place.

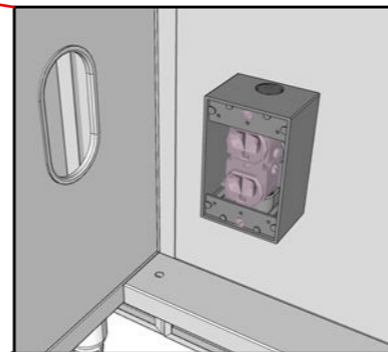
G



IMPORTANT! Install All Electrical Boxes, & Peg Legs before proceeding further, follow these instructions. Electrical Wires are installed after all cabinets are connected but before counter is installed.

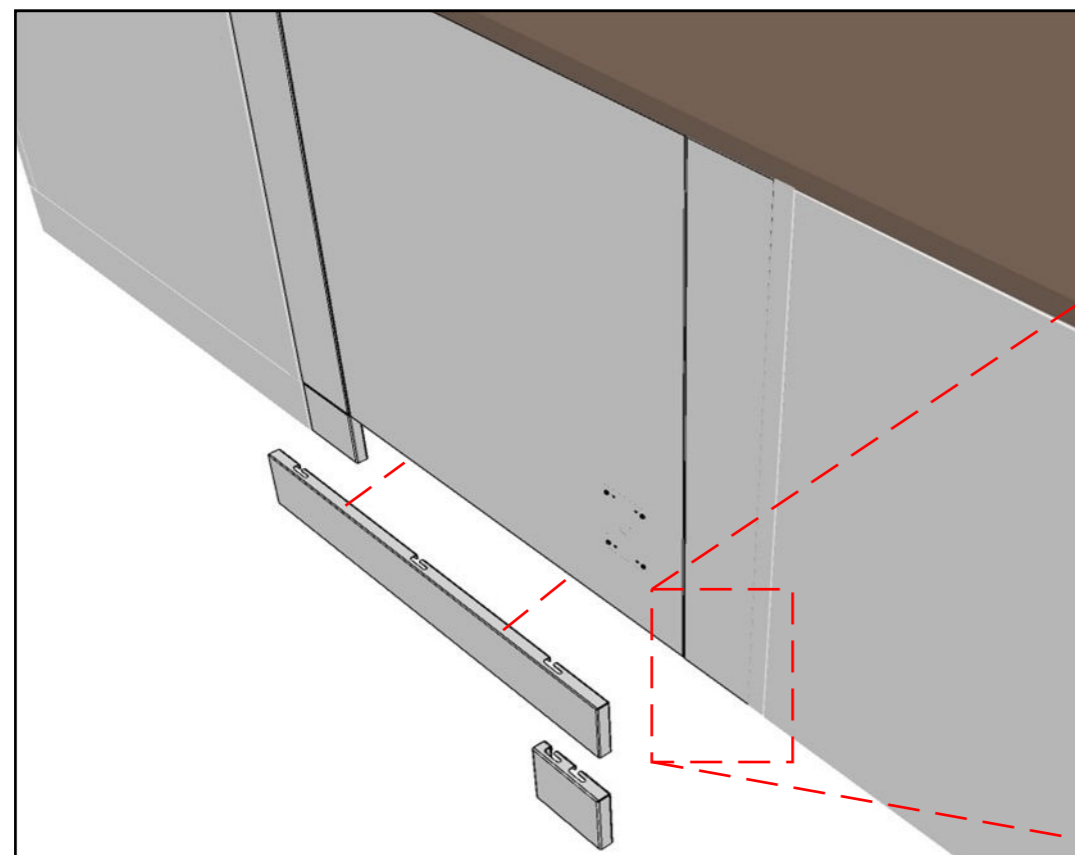


Always use GFCI 2 way Electrical Outlet in front facing panel, standard electrical can be placed on the interior. See cover panel can be removed and hung below when electrical is in use.

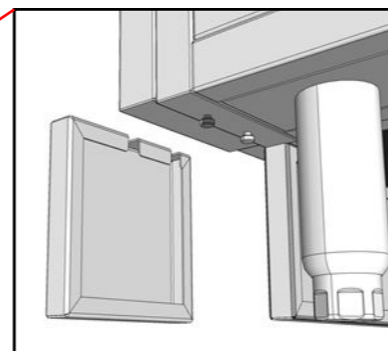


Punch out the adjacent black plastic utility cover port - through these you can pull any necessary electrical wires, gas lines or water lines through each consecutive cabinets.

H



IMPORTANT! Always install Kick-Plates after ALL Cabinets have been completely assembled and leveled. Refer to main cabinet instruction manual for leveling of Peg-Legs. Always install kick-Plates from Left to Right.



Place Kick-Plates on cabinet by sliding open slots in through the provided small pegs, then sliding to the Left. They can be easily removed if you require access to underside of cabinet. Always install Kick-Plates from Left to Right, in any cabinet package the End Kickplates are installed last.

