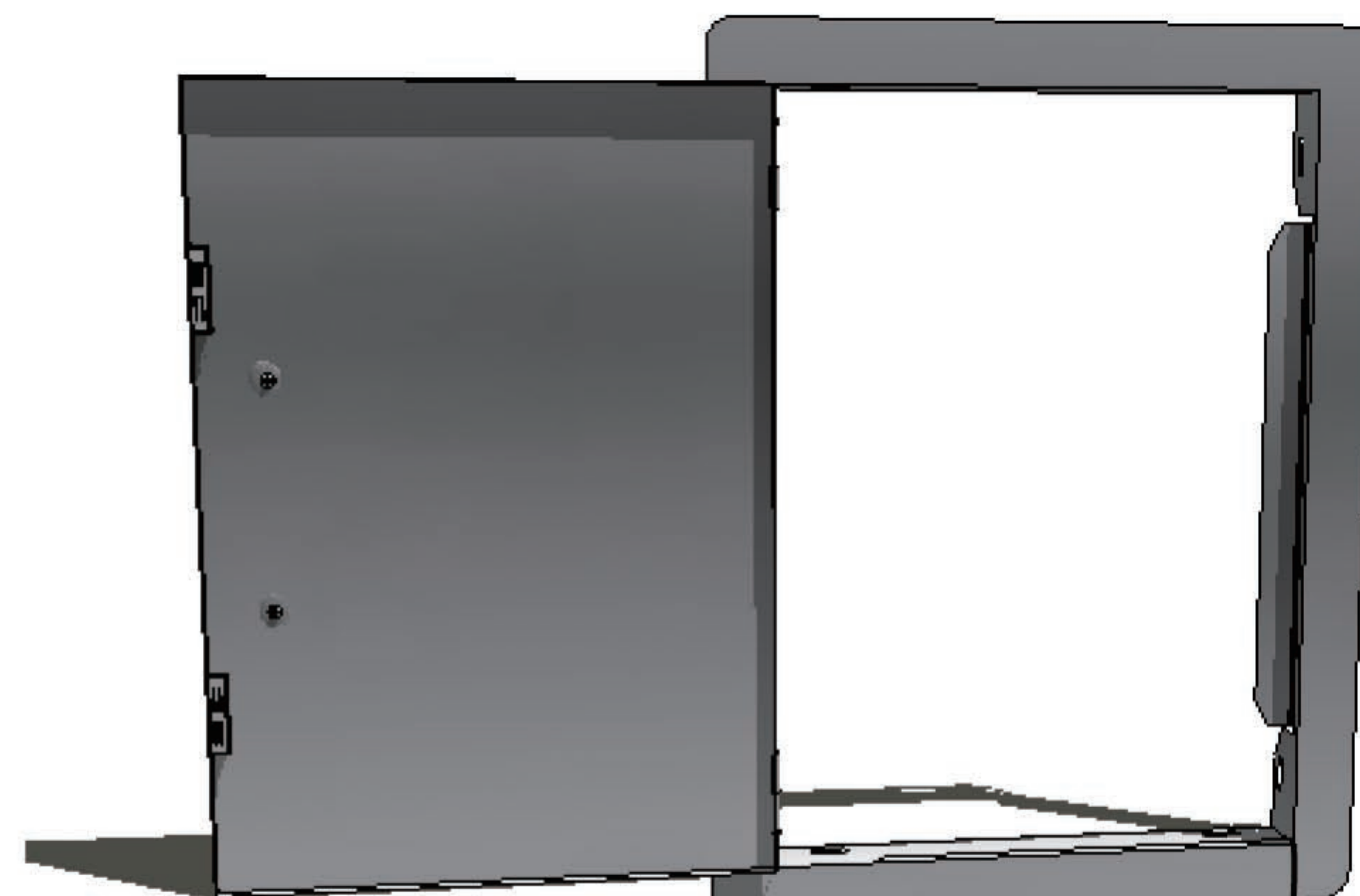


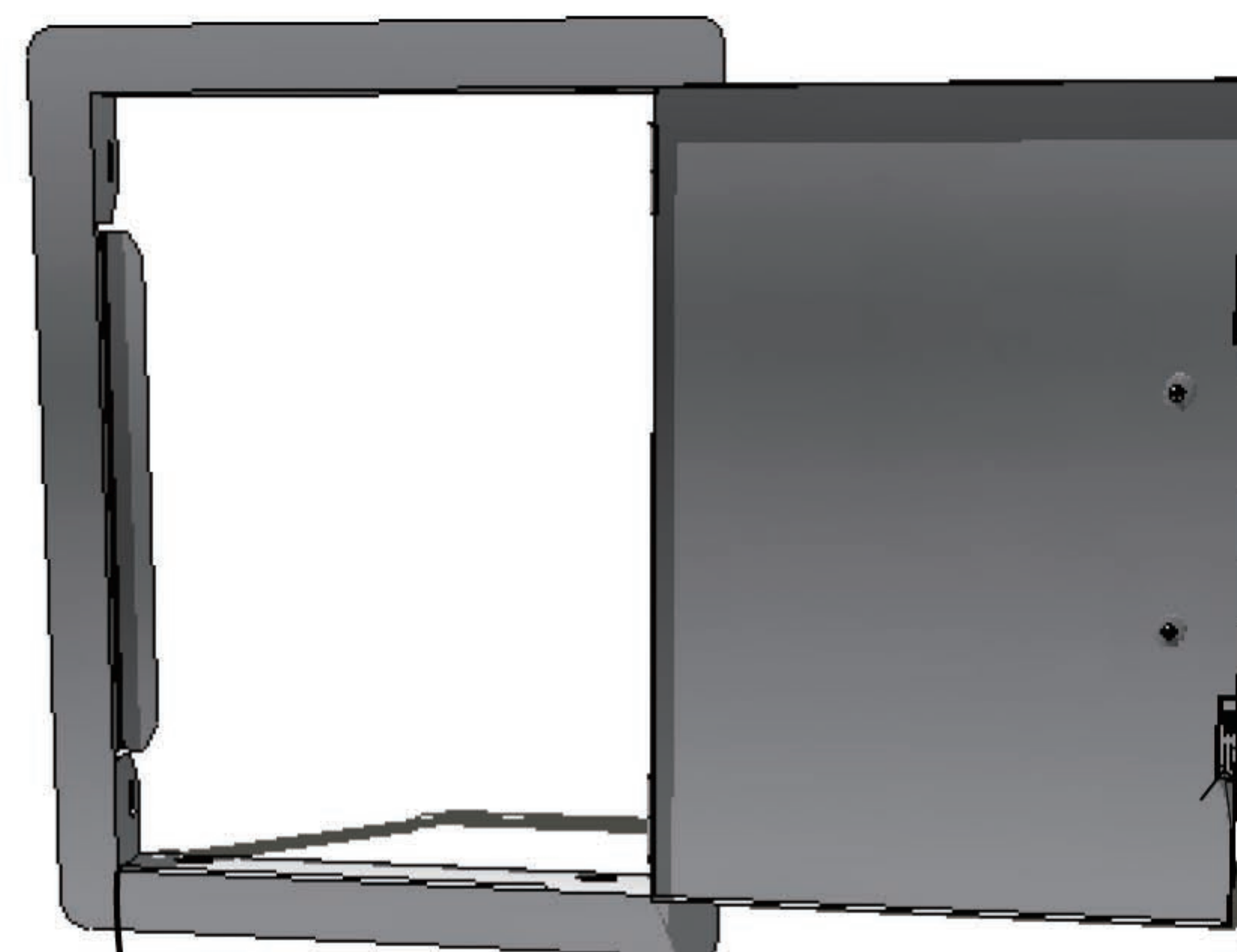


Sturdy handle made of Zinc Alloy, Chrome Plated

Open Door Left



Open Door Right



Open 180 Degree

Open 180 Degree

Sunstone Metal Products
16004 Central Commerce Dr
Pflugerville TX 78660
Tel: 888.934.9449
Bus: 512.487.5116
Fax: 512.487.7016

PRODUCT
24" x 17" Verticle Door
Item No. DV1724

DESCRIPTION
24" x 17" Vertical Single Door
This model can Be installed
eighter Left or Right Swing

24" x 17" Verticle Door
20"W x 27"H x 1 5/8" D(Product Size)
17 1/4"W x 24 1/4"H (Cut-out)
11.5 LBS (Weight)

Material Specifications:
16 Gauge 304 Stainless Steel,
Handles are made of Zinc Alloy,
Chrome Plated.

Top and Bottom Magnets to
secure the door close, for
Left or Right Positions

430 Stainless
Steel Plate cover
for Magents to
secure to

Reversable Hinge
so Door stays Secure
for Opening Left
or Right

Product Dimension

20" Width

27" Height

Cut-out Dimension

17 1/4" Width

24 1/4" Height

1 5/8" Depth

Flange
Dimension

Top, Bottom and Side Mounting Holes

