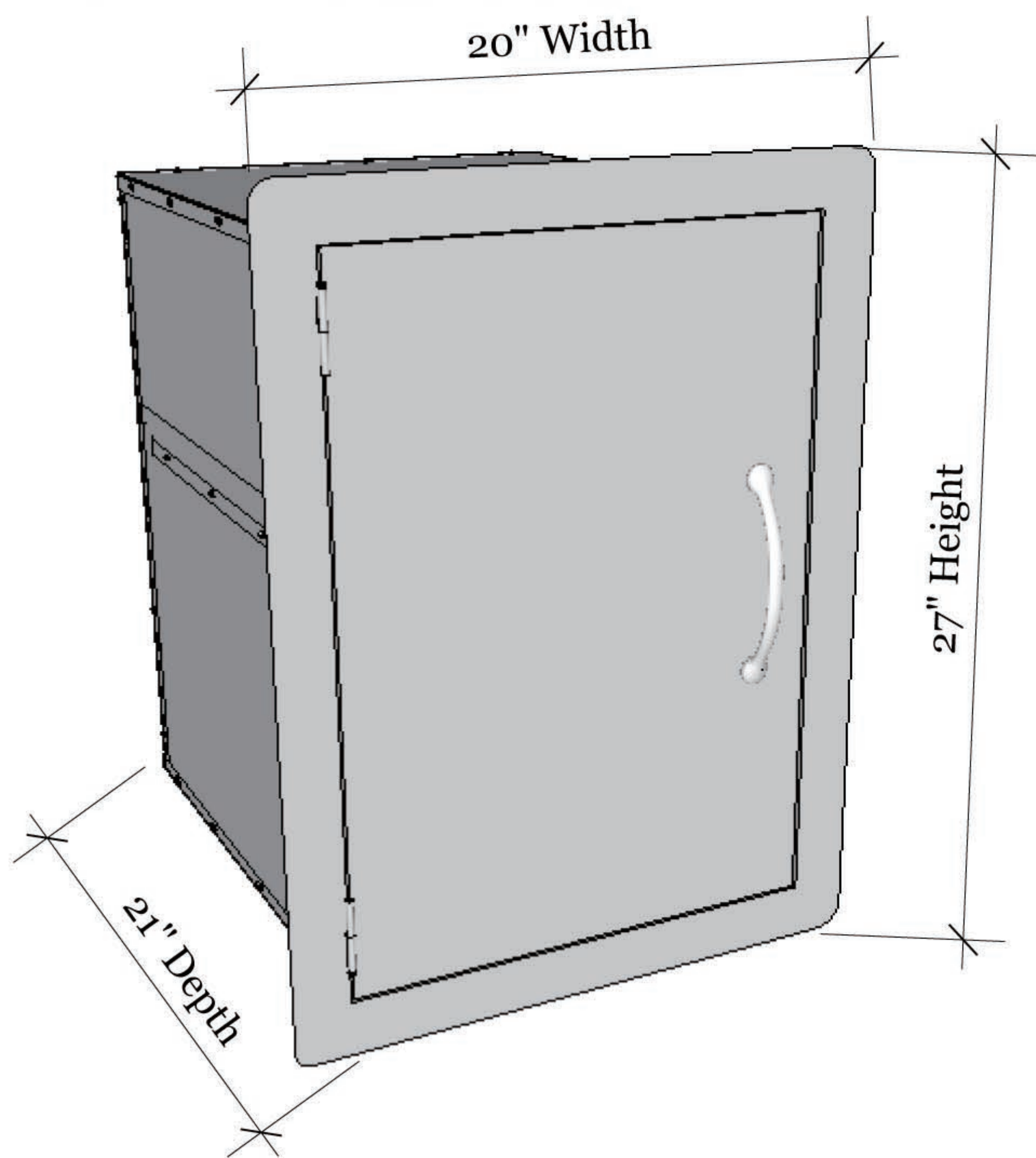
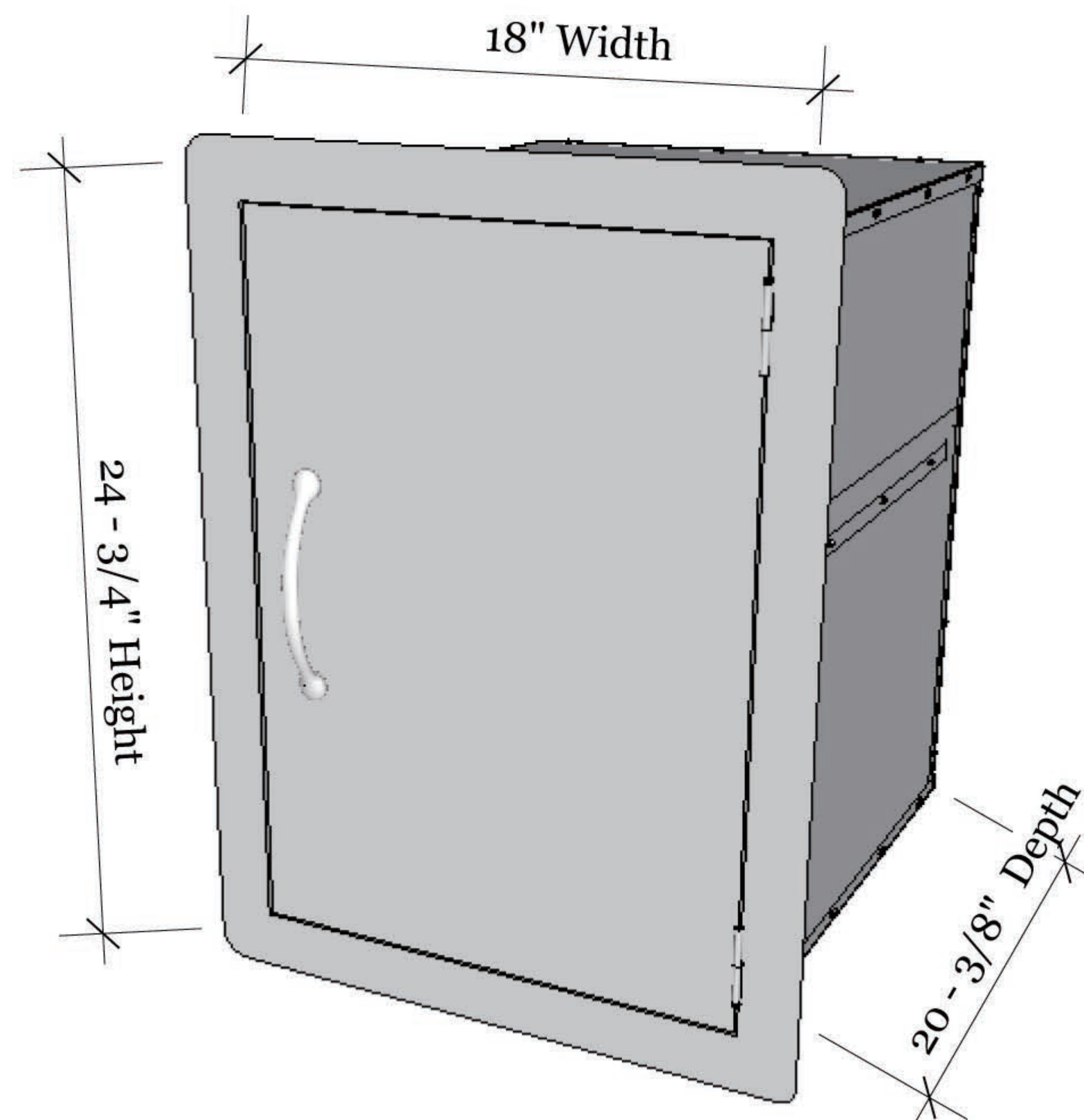


Product Dimensions



Cut-Out Dimensions



Sunstone Metal Products
 16004 Central Commerce Dr
 Pflugerville TX 78660
 Tel: 888.934.9449
 Bus: 512.487.5116
 Fax: 512.487.7016

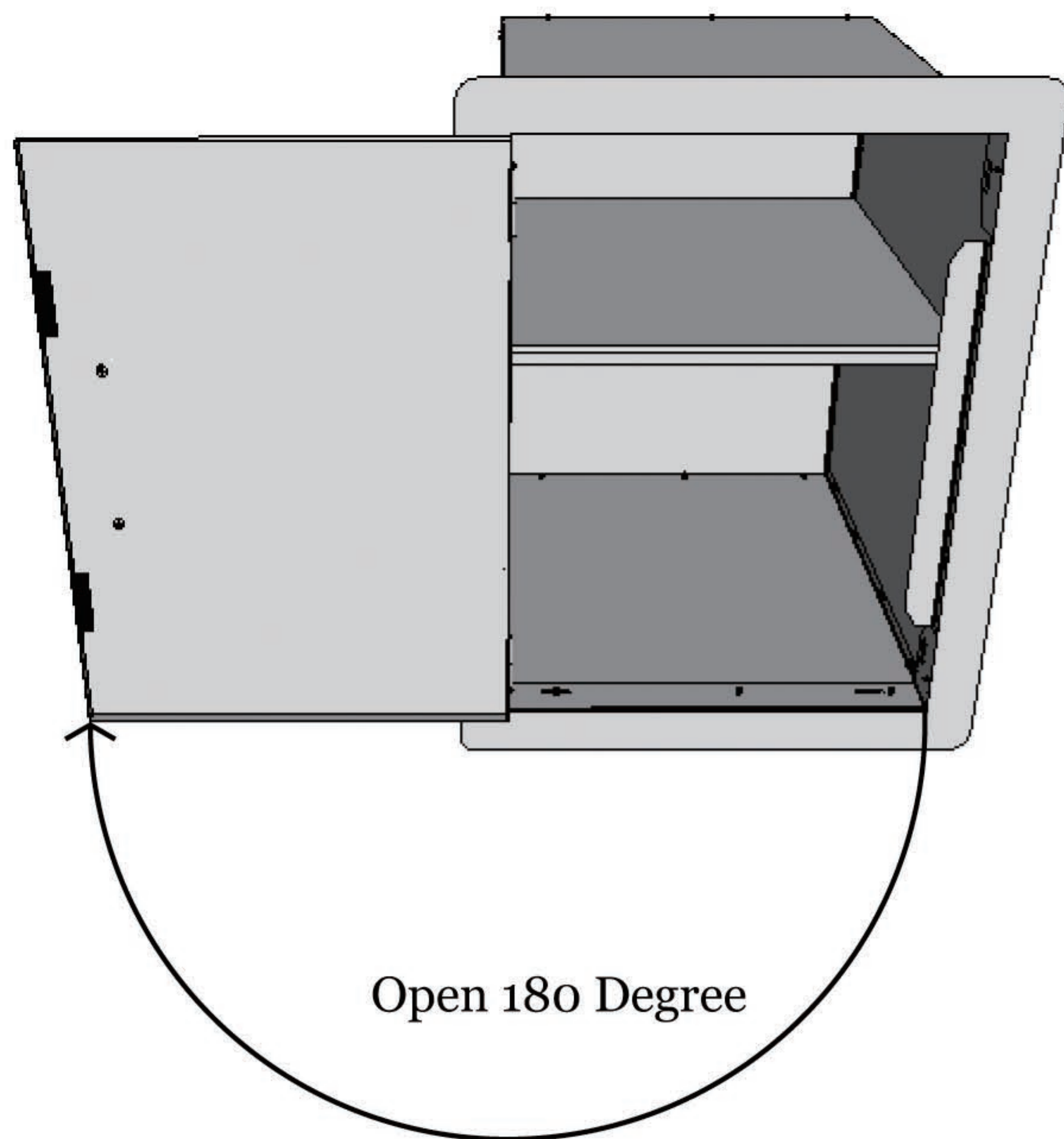
PRODUCT
 24" X 17" VERTICAL DRY STORAGE
 PANTRY W/SHELF
 Item No. DSV2417

DESCRIPTION
 304 stainless construction, flush
 mounted Polished Look. Cabinet
 is fully inclosed air tight.

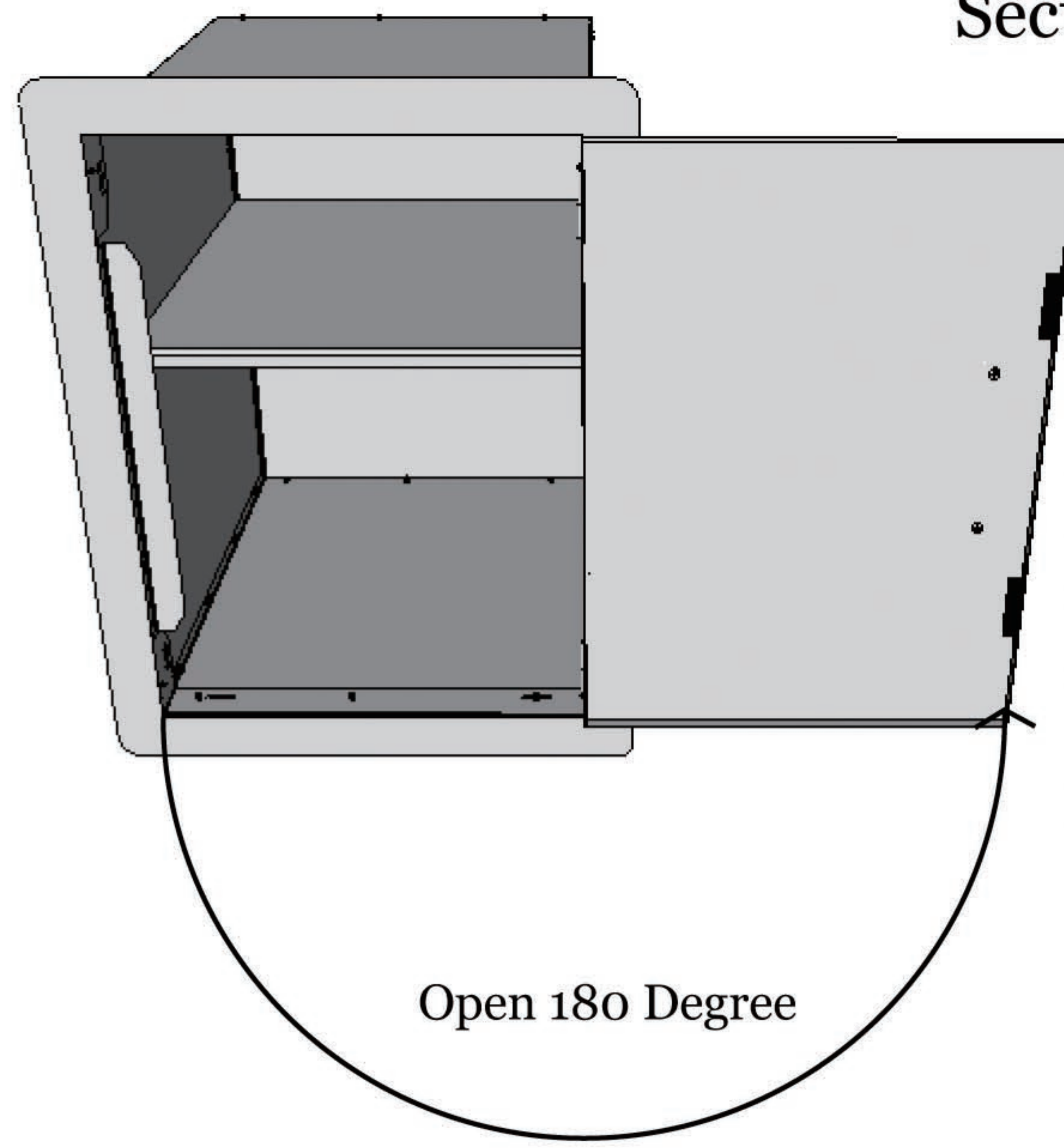
24" X 17" Vertical DryStorage Pantry
 20"W x 27"H x 21"D (Product Size)
 18"W x 24-3/4"H (Cut-out)
 43 LBS (Weight)

Material Specifications:
 16 gauge 304 stainless steel for door
 18 gauge galvanized sheet for the box
 Handles are made of zinc alloy,
 chrome plated.

Open Left



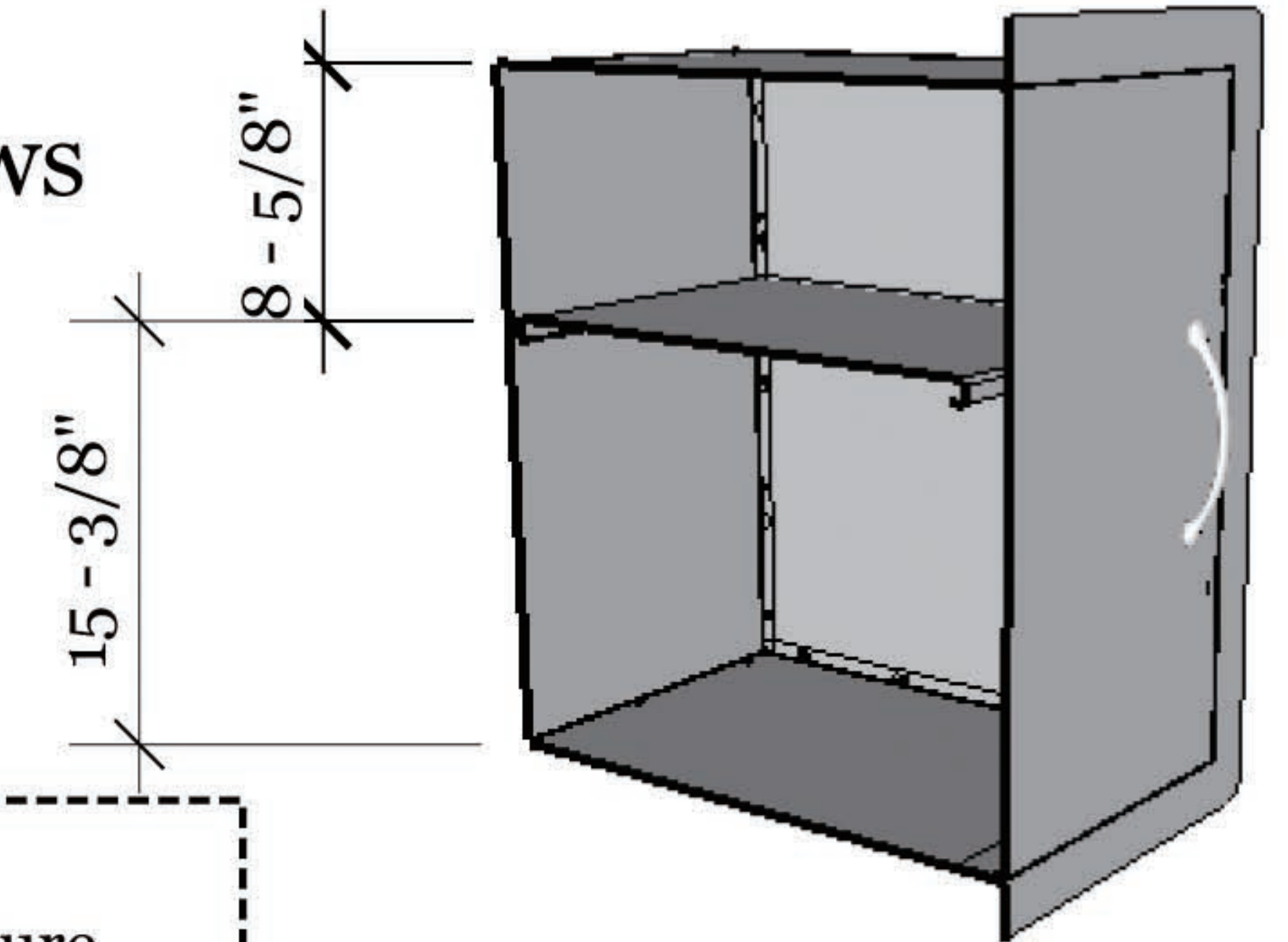
Open Right



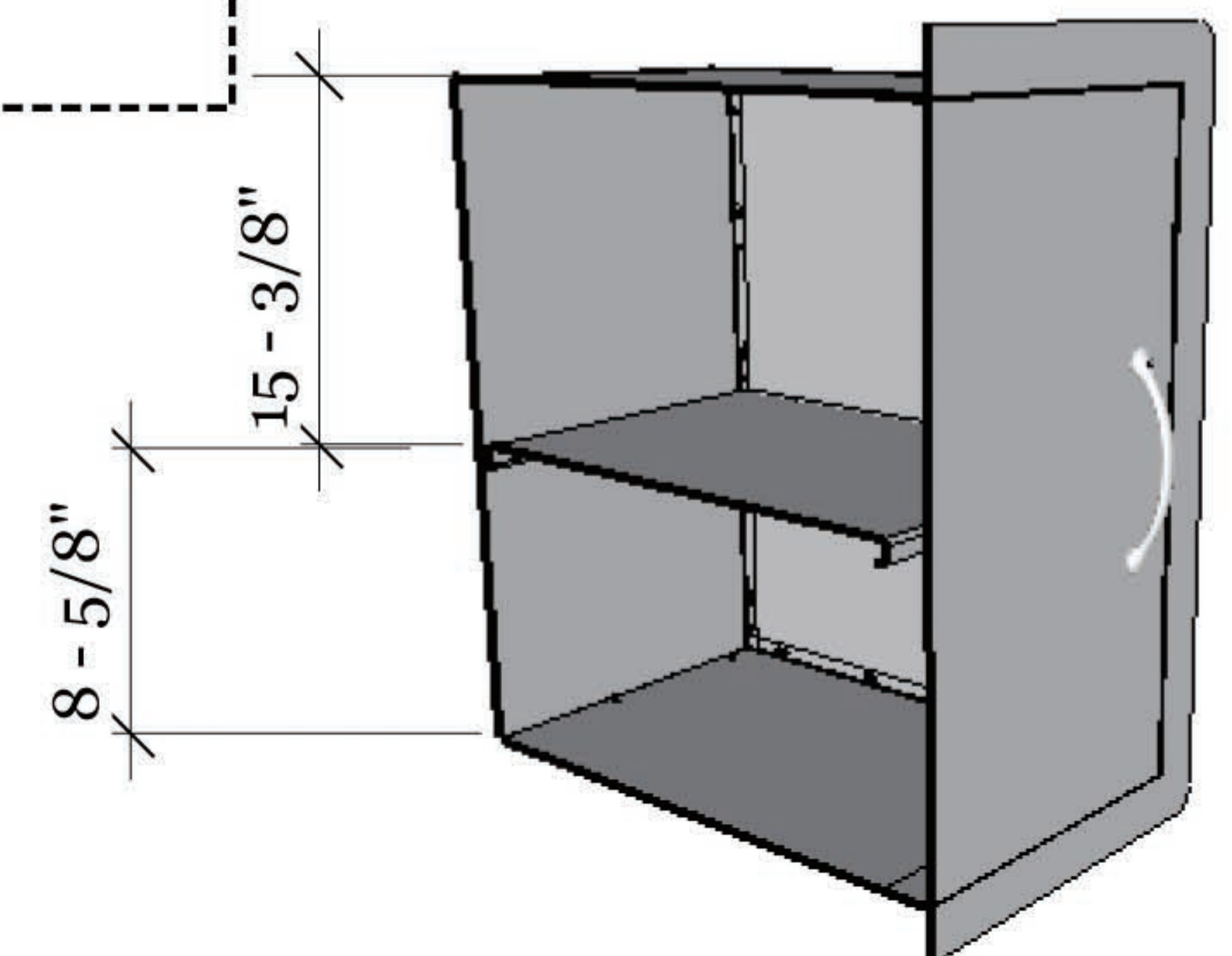
Section Cut-Views

With the Vertical
 Dry Storage enclosure
 you can set it up for
 LEFT or RIGHT positions
 and with the interior shelf
 on the UPPER or LOWER
 position.

Shelf Position 1: UPPER



Shelf Position 2: LOWER



SOME ASSEMBLY REQUIRED