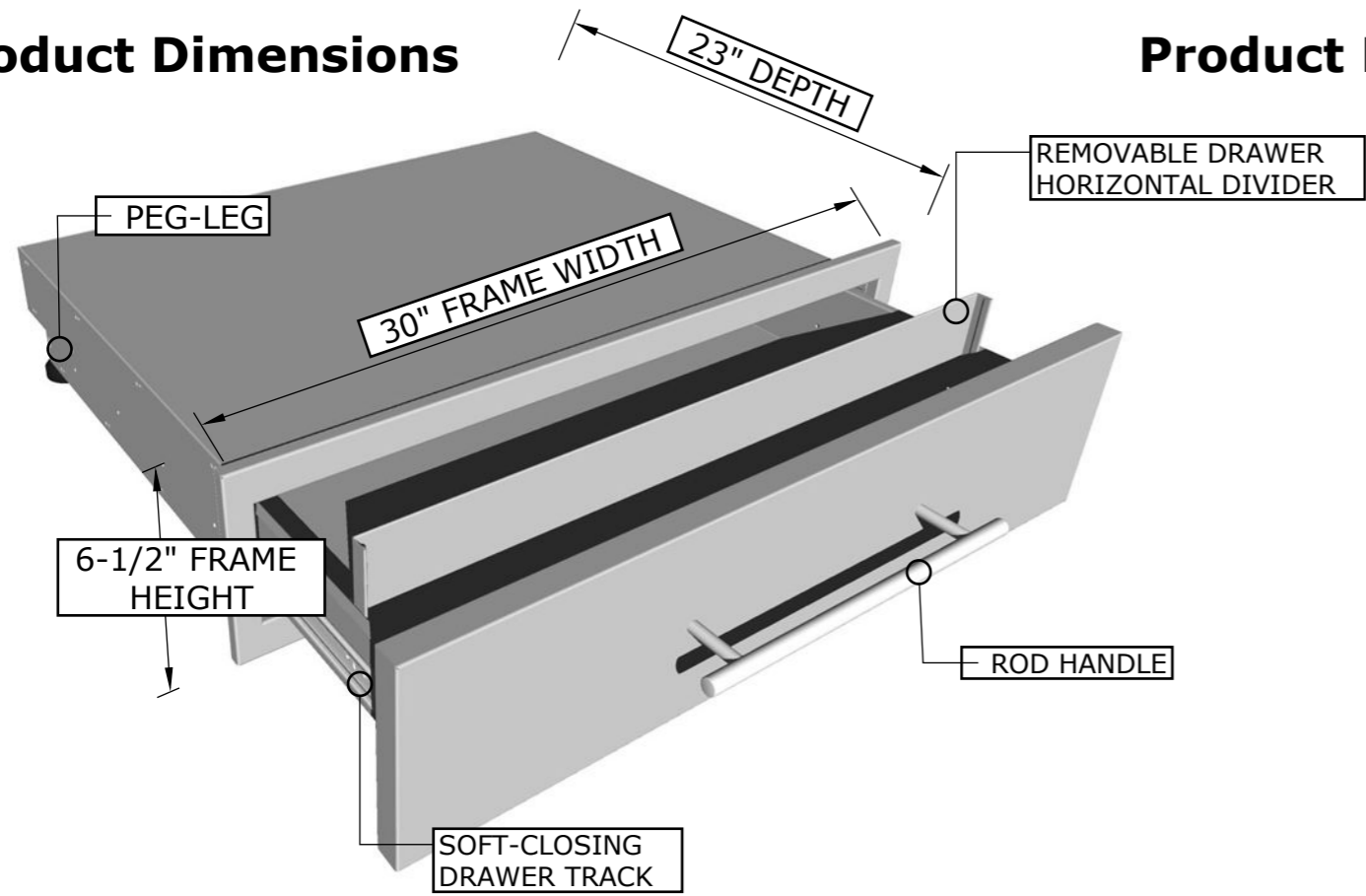
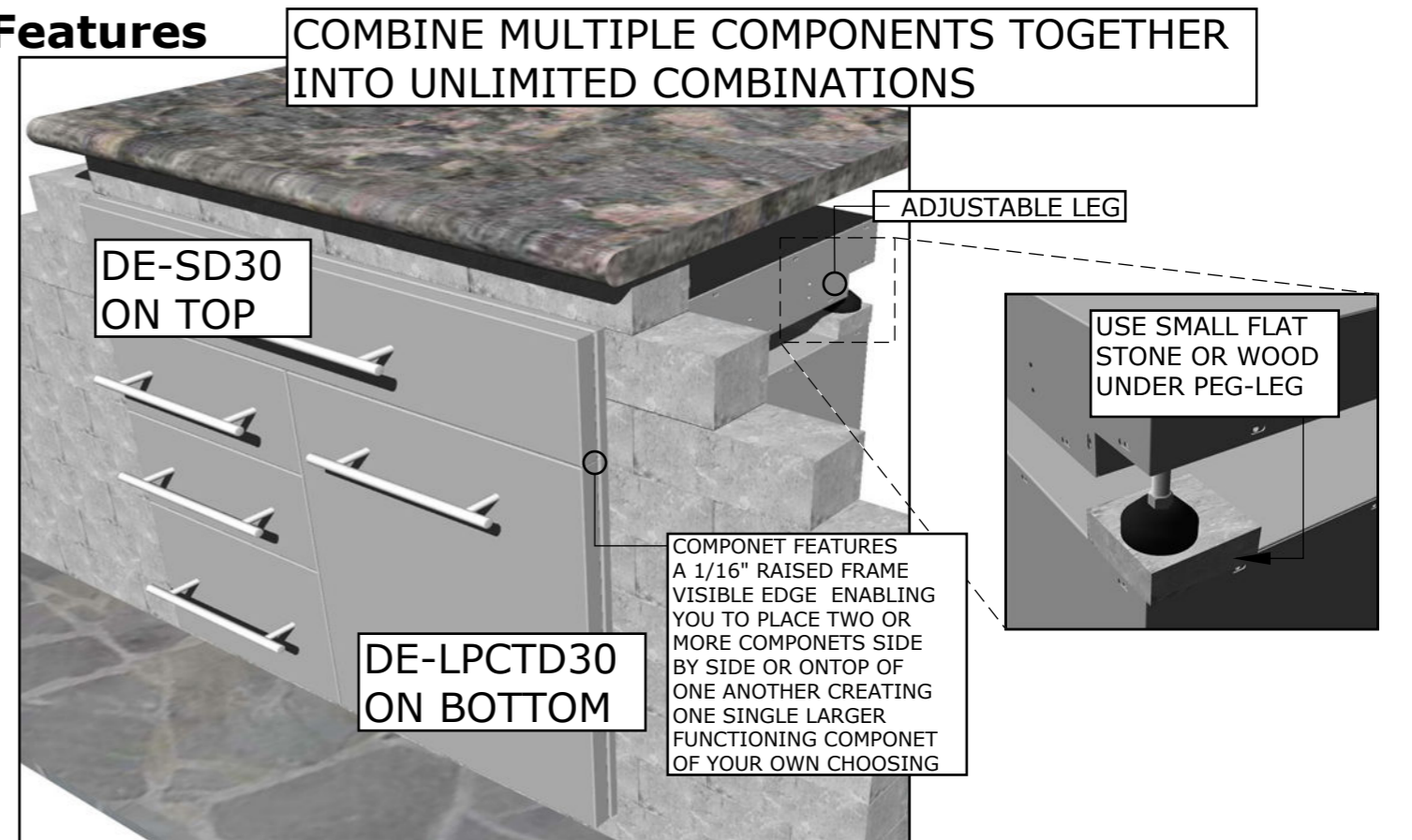
 <p>Designer Series CUSTOM CONFIGURABLE COMPONENTS</p>	<p>PRODUCT 30" Wide x 6-1/2" Height Single Drawer</p> <p>Item No. DE-SD30</p>	<p>DESCRIPTION Designer Series, Raised Style - 30" Wide x 6-1/2" Height Single Drawer w/Divider & Peg-Legs</p>	<p>PRODUCT DIMENSIONS 30" WIDTH x 6-1/2" HEIGHT x 23" DEPTH (PRODUCT SIZE) 28-1/2" WIDTH x 5-3/4" HEIGHT x 22" DEPTH (CUT-OUT)</p>	<p>SPECIFICATIONS Frame is made from 16 gauge 304 SS, and panel's are made from 18 gauge 304 SS. Inside Drawer Box is made with 20 gauge 201 SS. Handle is Solid 304 SS.</p>	<p>WARRANTY</p> <ul style="list-style-type: none"> • EXTERIOR FINISH -----3 YEARS • ROD HANDLES-----3 YEARS • DRAWER TRACK----- 1 YEAR • PEG-LEGS----- 1 YEAR
--	---	---	---	---	--

Product Dimensions



Product Features



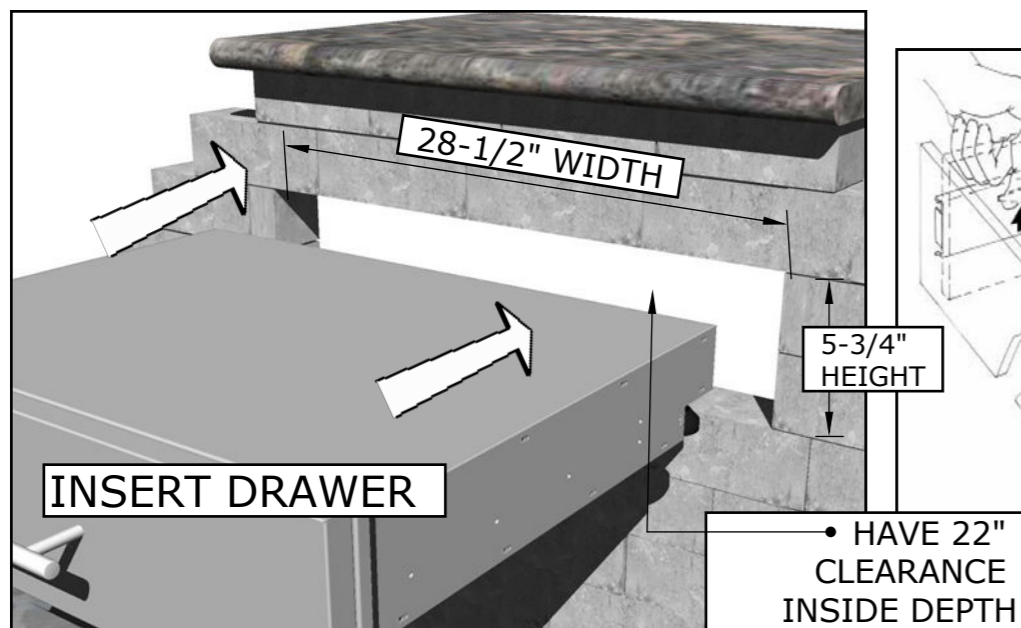
Product Installation

ISLAND WALL CUT-OUT SIZE IS
28-1/2" WIDTH BY 5-3/4" HEIGHT BY 22" DEPTH

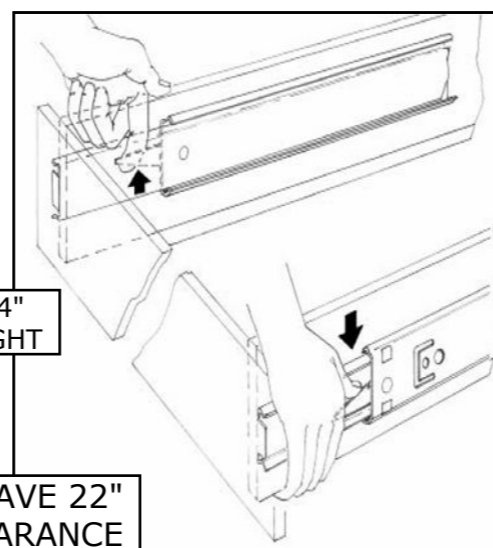
IMPORTANT!! - ROD HANDLES ARE MOUNTED TO INSIDE OF EACH PANEL, YOU MUST UNSCREW EACH ONE AND MOUNT ON OUTSIDE OF DRAWER OR DOOR PANEL.

See SUNSTONE manufacture website for additional product support and product tutorials:
www.sunstonemetalproducts.com

1. INSERT COMPONENT



2. REMOVE DRAWERS



REMOVE DRAWERS IN ORDER TO MOUNT BOX

- Pull the drawer fully open so Levers are visible.
- Push "DOWN" on the right lever, and "UP" on the left lever.
- Holding levers in place, pull drawer toward you.

3. MOUNT DRAWER & LOWER LEGS

