



PRODUCT
30" Wide x 10" Height
Single Drawer
Item No. DE-MD30

DESCRIPTION
Designer Series, Raised Style - 30"
Wide x 10" Height Single Drawer
w/Divider & Peg-Legs

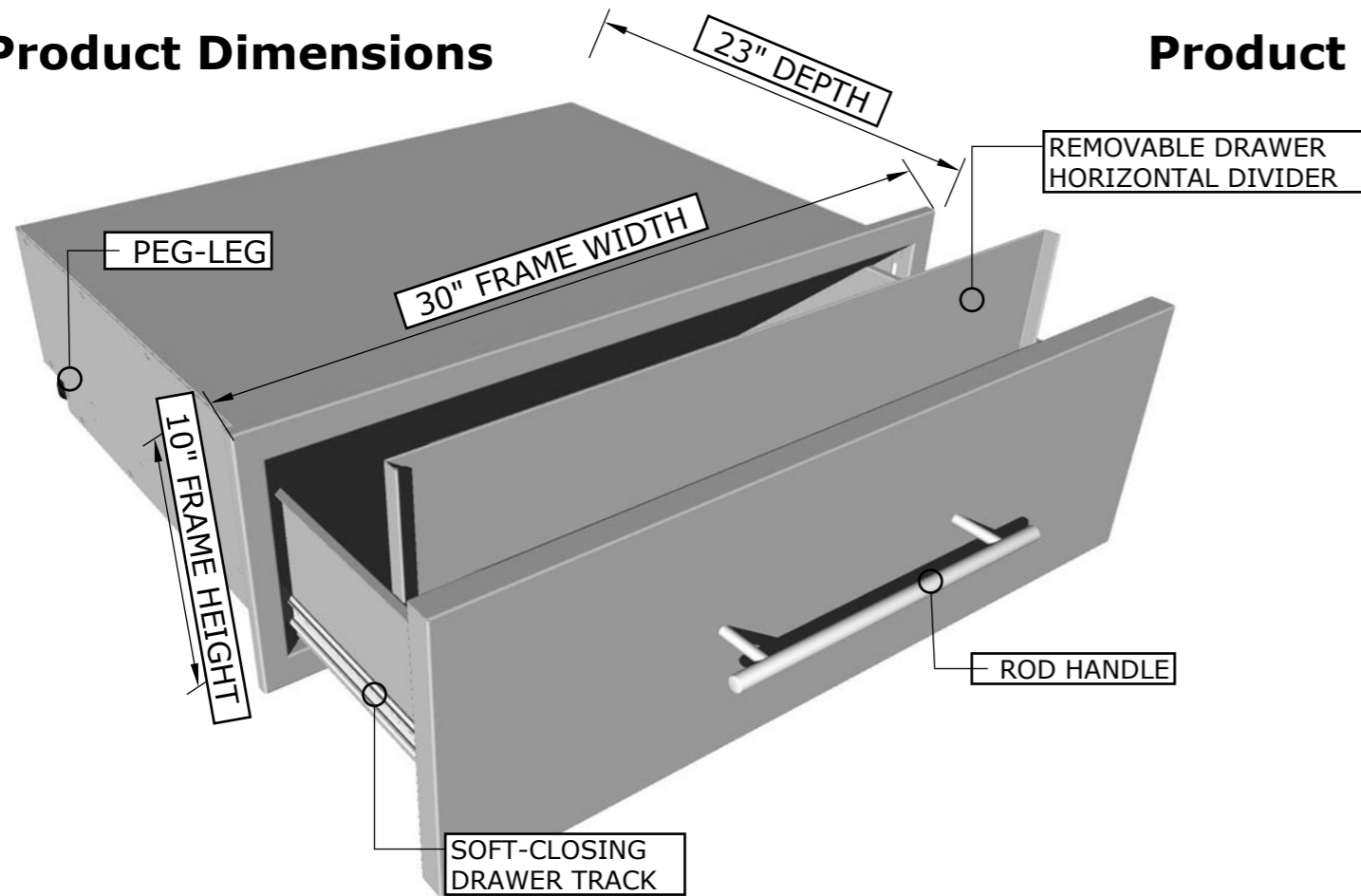
PRODUCT DIMENSIONS
30" WIDTH x10" HEIGHT x23"
DEPTH (PRODUCT SIZE) 28-1/2"
WIDTH x8" HEIGHT x22" DEPTH
(CUT-OUT)

SPECIFICATIONS
Frame is made from 16 gauge 304 SS,
and panel's are made from 18 gauge
304 SS. Inside Drawer Box is made with
20 gauge 201 SS. Handle is Solid 304
SS.

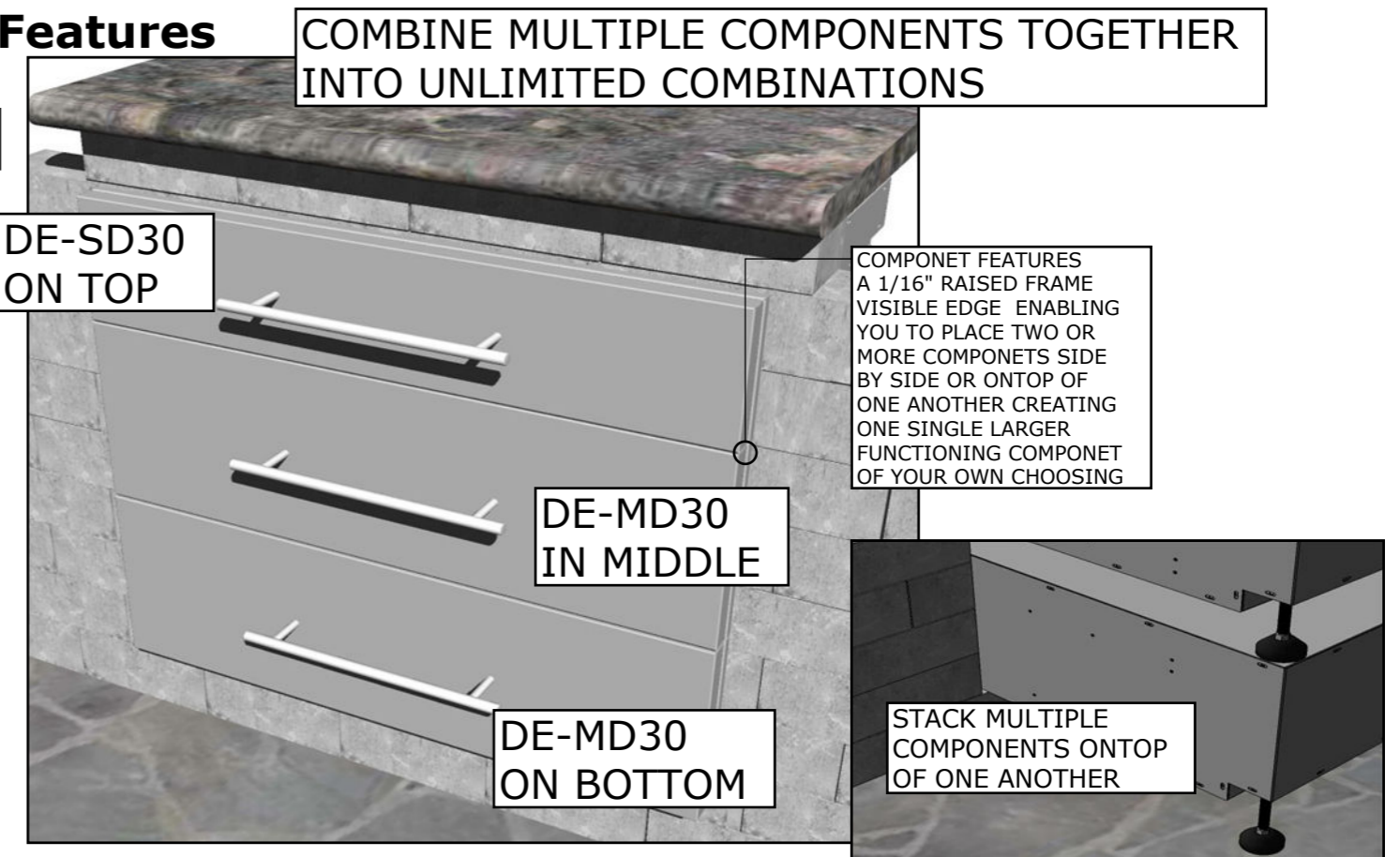
WARRANTY

- EXTERIOR FINISH -----3 YEARS
- ROD HANDLES-----3 YEARS
- DRAWER TRACK----- 1 YEAR
- PEG-LEGS----- 1 YEAR

Product Dimensions



Product Features



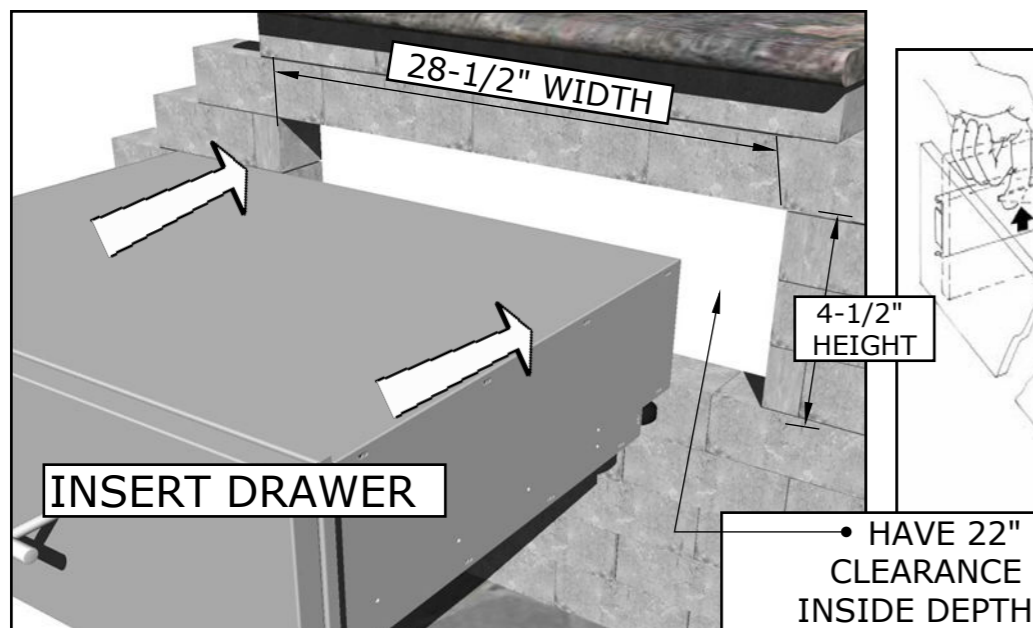
Product Installation

ISLAND WALL CUT-OUT SIZE IS
28-1/2" WIDTH BY 8" HEIGHT BY 22" DEPTH

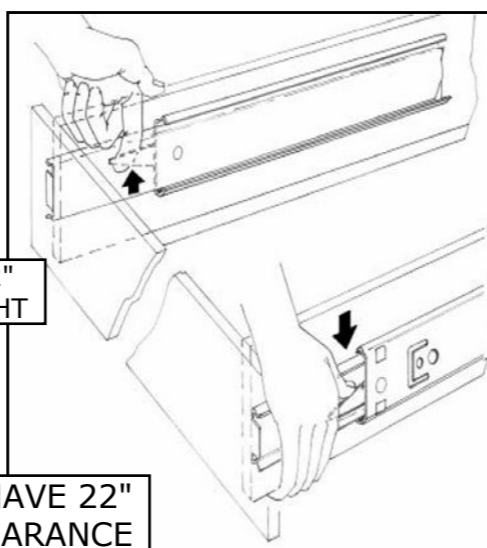
IMPORTANT!! - ROD HANDLES ARE MOUNTED TO INSIDE OF EACH PANEL, YOU MUST UNSCREW EACH ONE AND MOUNT ON OUTSIDE OF DRAWER OR DOOR PANEL.

See SUNSTONE manufacture website for additional product support and product tutorials:
www.sunstonemetalproducts.com

1 . INSERT COMPONENT



2. REMOVE DRAWERS



REMOVE DRAWERS IN ORDER TO MOUNT BOX

- Pull the drawer fully open so Levers are visible.
- Push "DOWN" on the right lever, and "UP" on the left lever.
- Holding levers in place, pull drawer toward you.

3. MOUNT DRAWER & LOWER LEGS

