



PRODUCT
 15" Left Swing Single Door w/Shelf
Item No. DE-DVL15

DESCRIPTION
 Designer Series, Raised Style -
 15" Single Right Swing Door
 w/Shelf

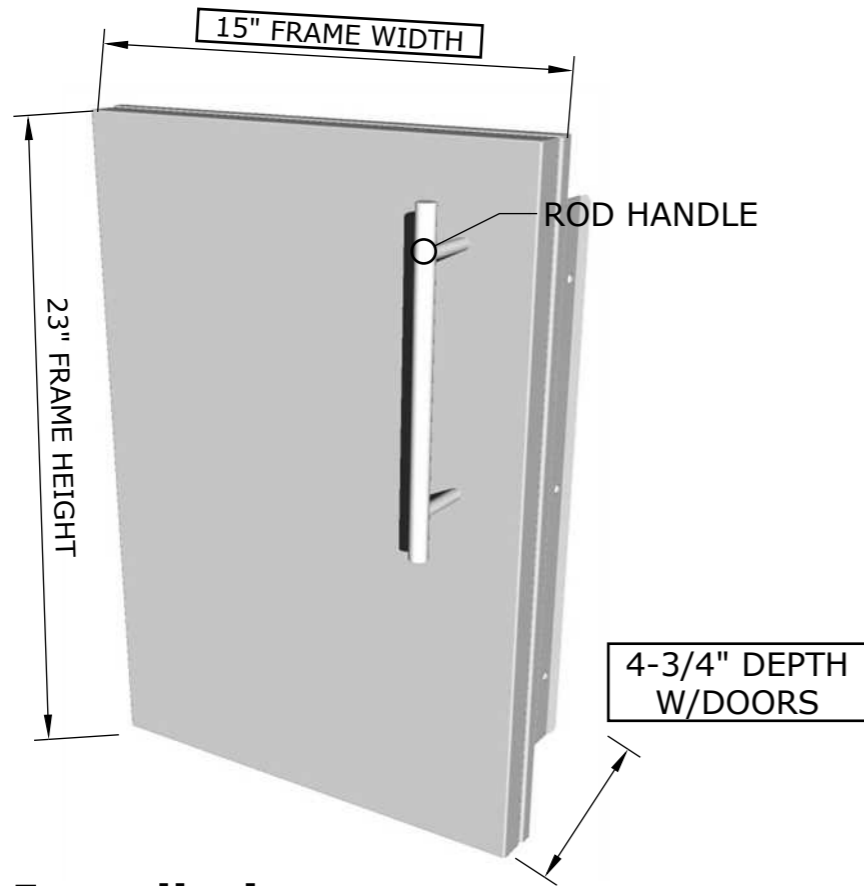
PRODUCT DIMENSIONS
 15" WIDTH x23" HEIGHT x4-
 3/4" DEPTH (PRODUCT SIZE)
 13-1/2" WIDTH 21" HEIGHT
 x3-1/2" DEPTH (CUT-OUT)

SPECIFICATIONS
 Door Frame is made from 16 gauge
 304 Stainless Steel, and door panel
 is made from 18 gauge 304
 Stainless Steel. Handle is Solid 304
 Stainless Steel.

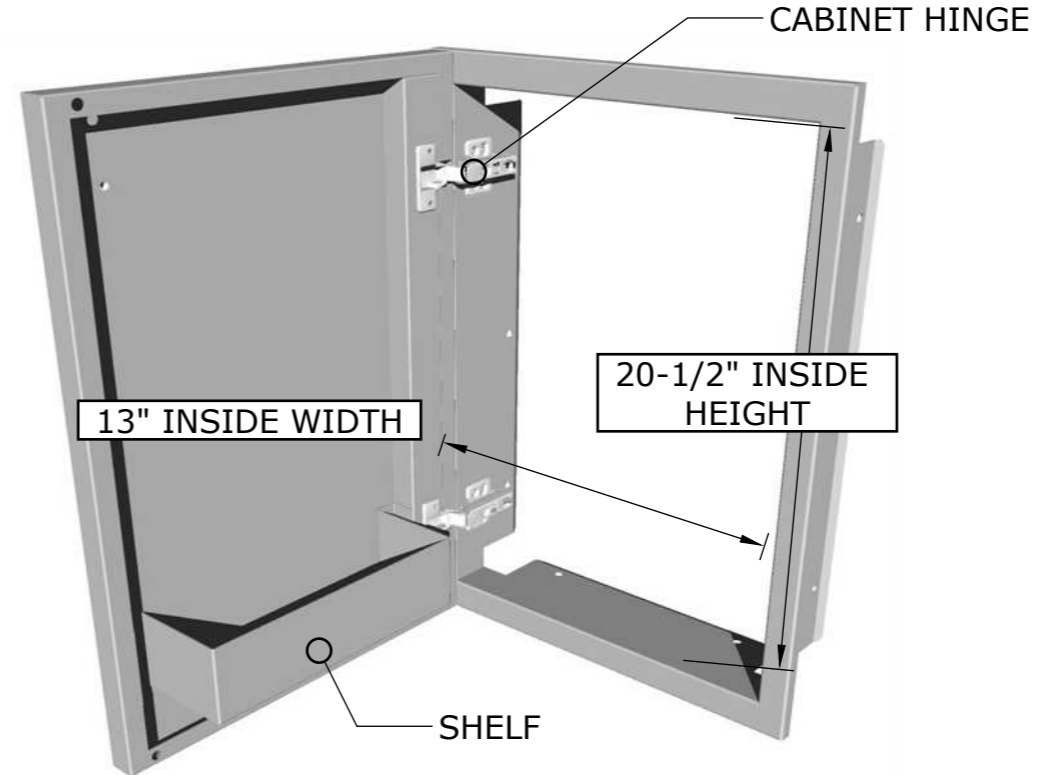
WARRANTY

- EXTERIOR FINISH -----3 YEARS
- ROD HANDLES-----3 YEARS
- CABINET HINGE----- 1 YEAR

Product Dimensions



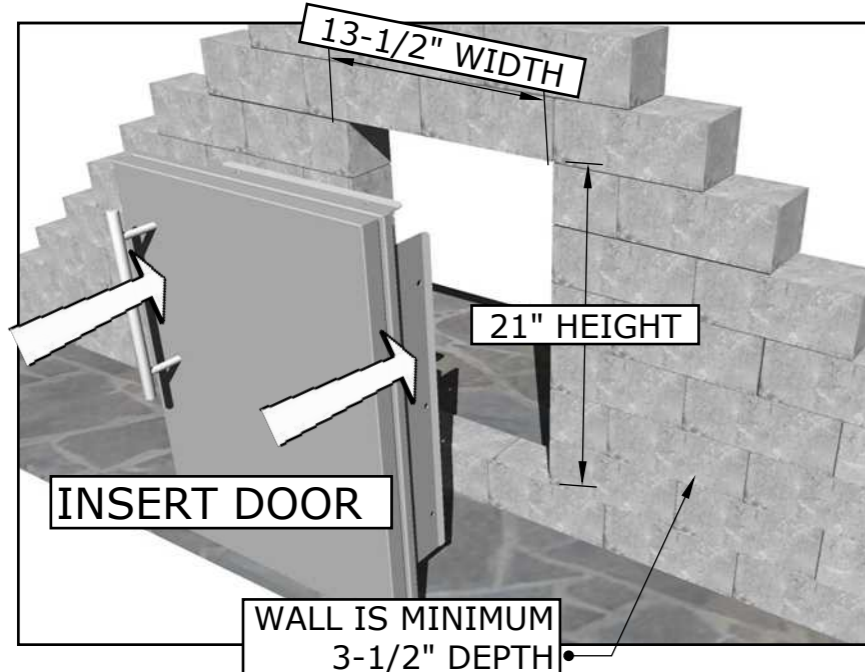
Product Features



Product Installation

ISLAND WALL CUT-OUT SIZE IS
 13-1/2" WIDTH BY 21" HEIGHT BY 3-1/2" DEPTH

1 . INSERT COMPONENT



IMPORTANT!! - ROD HANDLES ARE MOUNTED TO INSIDE OF EACH PANEL, YOU MUST UNSCREW EACH ONE AND MOUNT ON OUTSIDE OF DRAWER OR DOOR PANEL.

See SUNSTONE manufacture website for additional product support and product tutorials:
www.sunstonemetalproducts.com

2. MOUNT DOOR TO FRAME

