



**PRODUCT**

23" Height Paper Towel Holder w/Large Single Drawer

Item No. DE-DPCF23

**DESCRIPTION**

Designer Series, Raised Style - 18" Paper Towel w/Large Single Drawer Combo

**PRODUCT DIMENSIONS**

18" WIDTH x23" HEIGHT x23" DEPTH (PRODUCT SIZE) 16-1/2" WIDTH x21" HEIGHT x22" DEPTH (CUT-OUT)

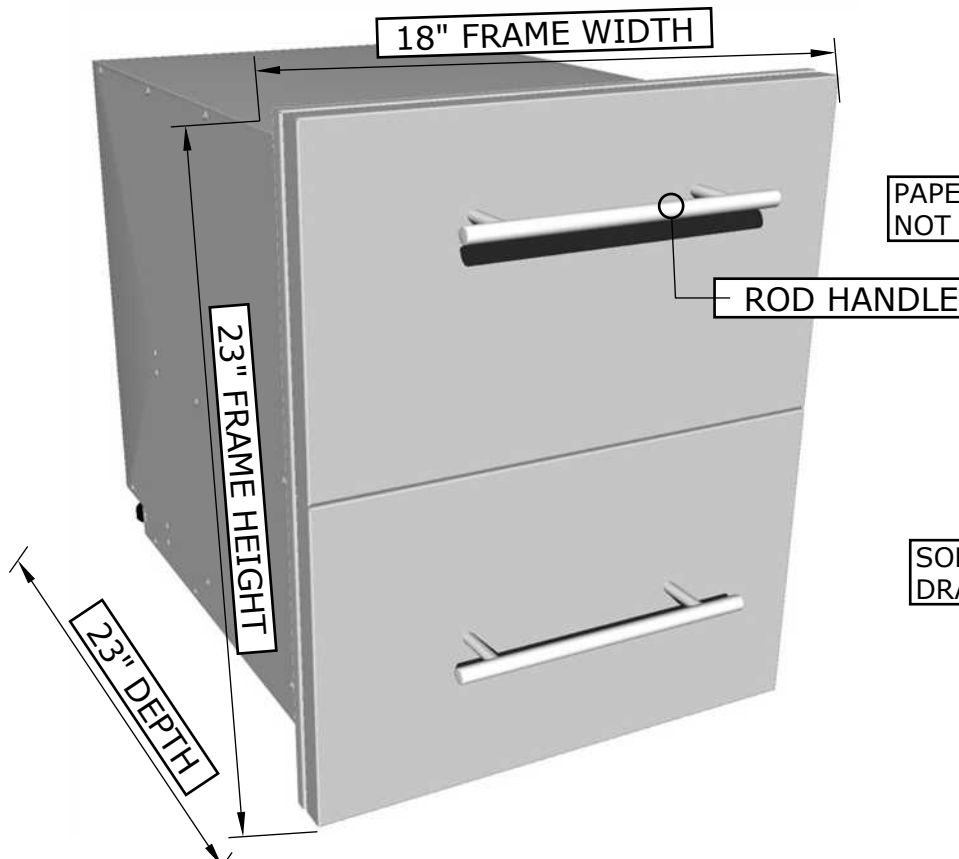
**SPECIFICATIONS**

Frame is made from 16 gauge 304 SS, and panel's are made from 18 gauge 304 SS. Paper Towel Holder is 18 gauge 304 SS. Inside Drawer Box is made with 20 gauge 201 SS. Handle is Solid 304 SS.

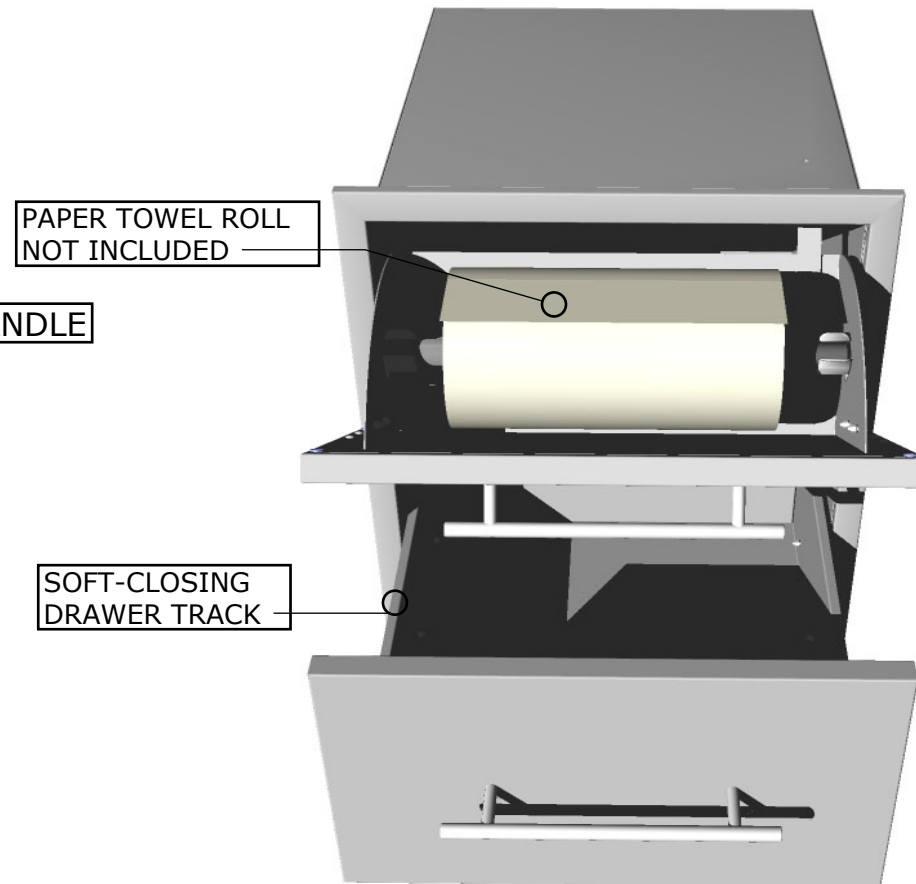
**WARRANTY**

- EXTERIOR FINISH -----3 YEARS
- ROD HANDLES-----3 YEARS
- DRAWER TRACK----- 1 YEAR
- PEG-LEGS----- 1 YEAR

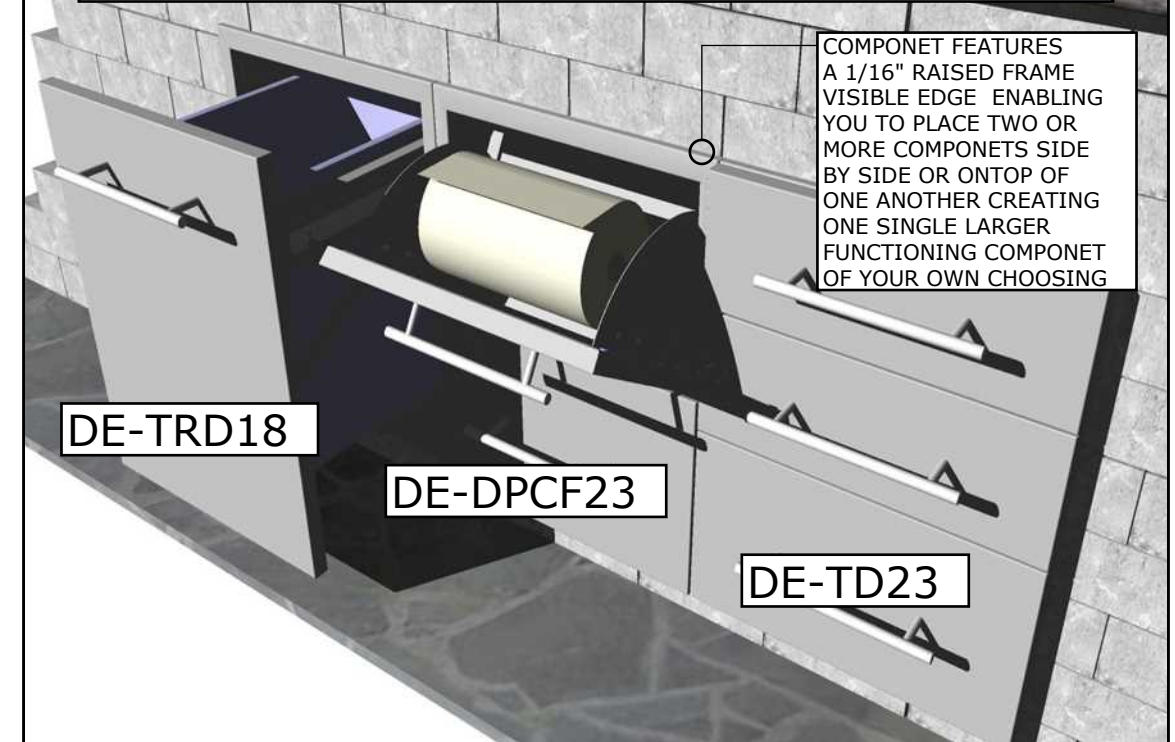
**Product Dimensions**



**Product Features**



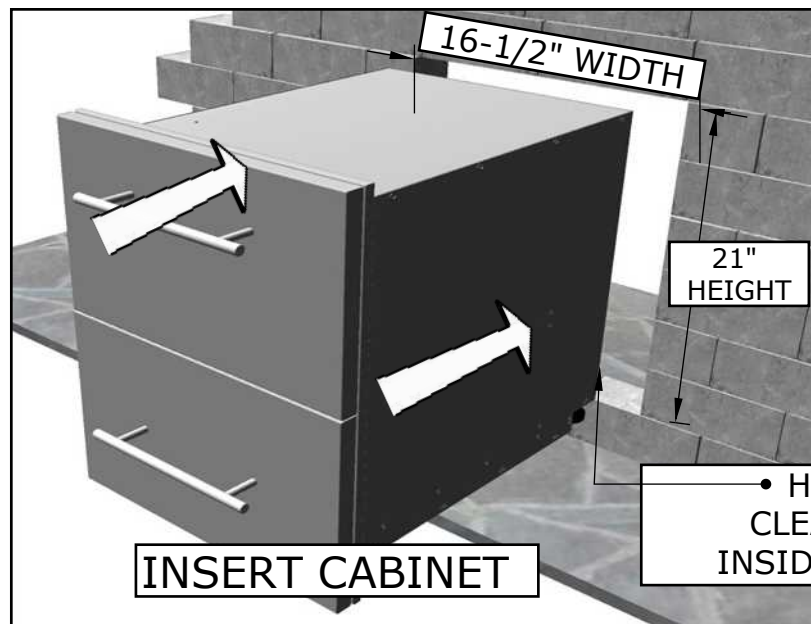
**COMBINE MULTIPLE COMPONENTS TOGETHER INTO UNLIMITED COMBINATIONS**



**Product Installation**

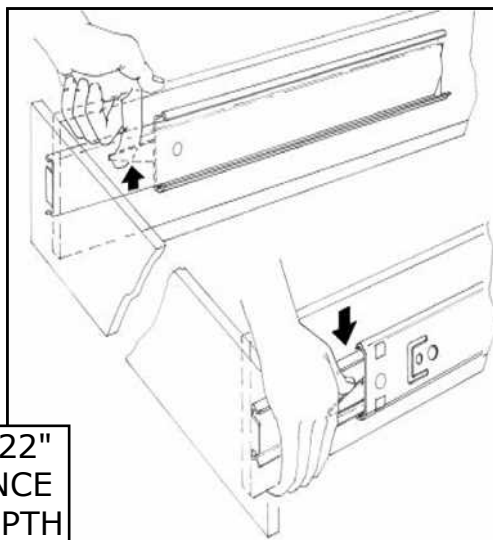
ISLAND WALL CUT-OUT SIZE IS 16-1/2" WIDTH BY 21" HEIGHT BY 22" DEPTH

**1 . INSERT COMPONENT**



**IMPORTANT!!** - ROD HANDLES ARE MOUNTED TO INSIDE OF EACH PANEL, YOU MUST UNSCREW EACH ONE AND MOUNT ON OUTSIDE OF DRAWER OR DOOR PANEL.

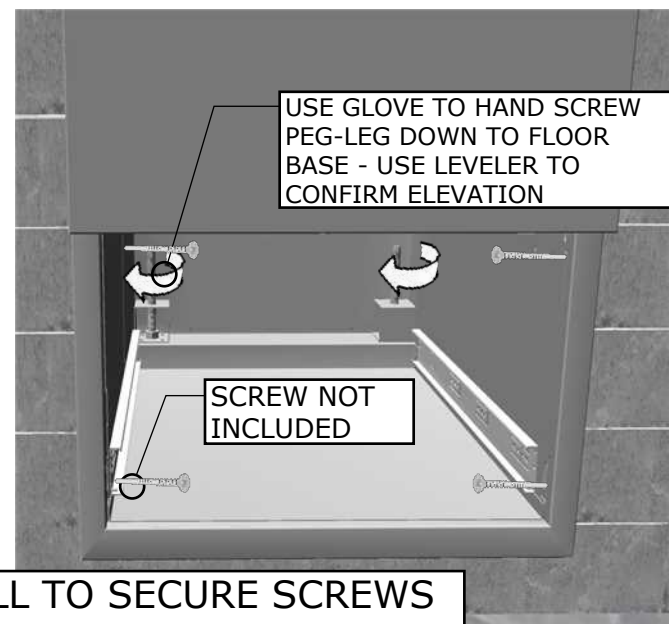
**2. REMOVE DRAWERS**



**REMOVE DRAWERS IN ORDER TO MOUNT BOX**

- Pull the drawer fully open so Levers are visible.
- Push "DOWN" on the right lever, and "UP" on the left lever.
- Holding levers in place, pull drawer toward you.

**3. MOUNT DRAWER & LOWER LEGS**



USE DRILL TO SECURE SCREWS IN PLACE THROUGH HOLES

See SUNSTONE manufacture website for additional product support and product tutorials:  
[www.sunstonemetalproducts.com](http://www.sunstonemetalproducts.com)