



PRODUCT
 13" Tilt-Out Paper Towel Holder w/Cutlery Drawer & Poly Cutting Board
Item No. DE-DPCF13

DESCRIPTION
 Designer Series, Raised Style - 18" Paper Towel w/Cutlery Drawer & Cutting Board

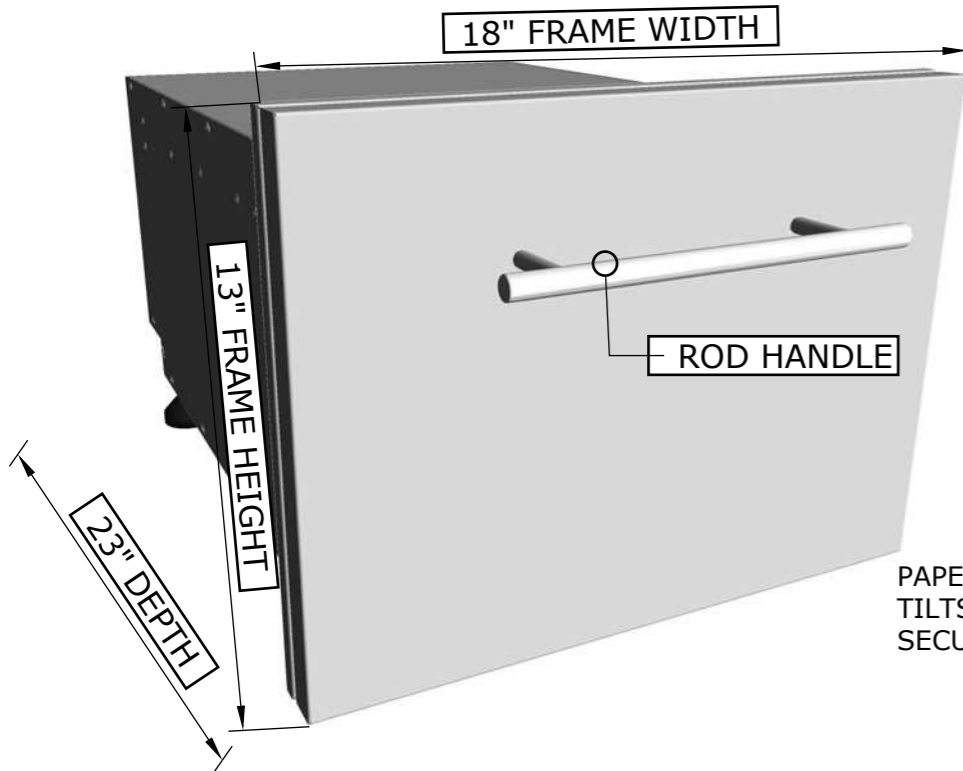
PRODUCT DIMENSIONS
 18" WIDTH x13" HEIGHT x23" DEPTH (PRODUCT SIZE) 16-1/2" WIDTH x11" HEIGHT x22" DEPTH (CUT-OUT)

SPECIFICATIONS
 Frame is made from 16 gauge 304 SS, and panel's are made from 18 gauge 304 SS. Paper Towel Holder is 18 gauge 304 SS. Inside Drawer Box is made with 20 gauge 201 SS. Handle is Solid 304 SS.

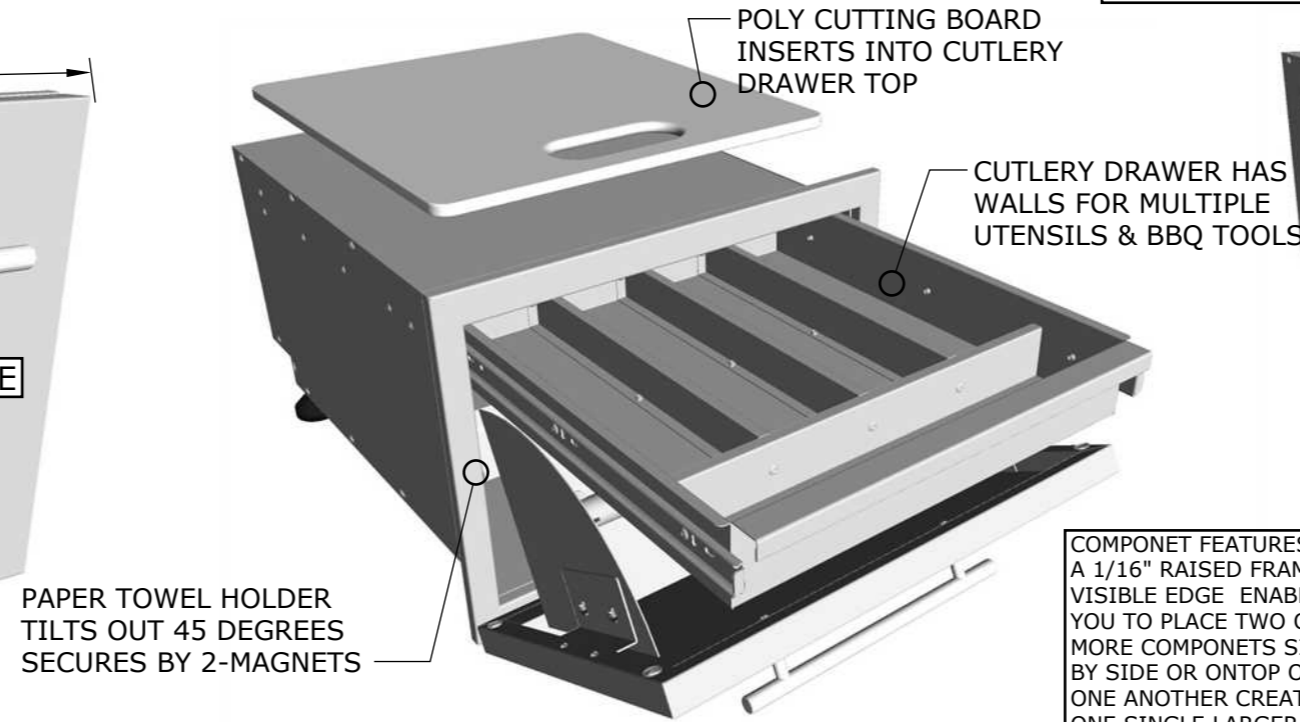
WARRANTY

- EXTERIOR FINISH -----3 YEARS
- ROD HANDLES-----3 YEARS
- DRAWER TRACK-----1 YEAR
- PEG-LEGS-----1 YEAR

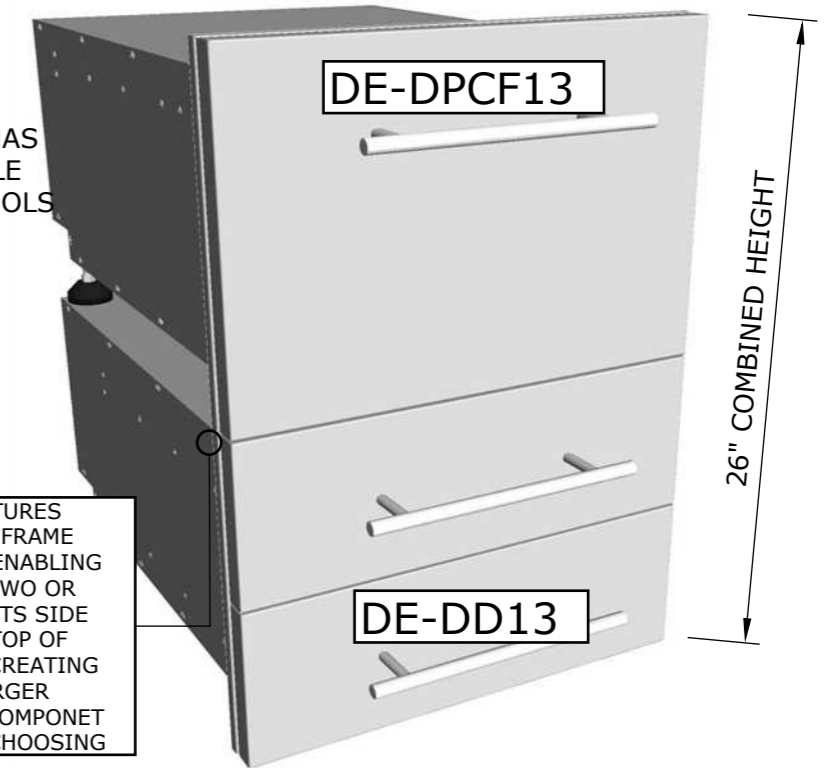
Product Dimensions



Product Features



COMBINE MULTIPLE COMPONENTS TOGETHER INTO UNLIMITED COMBINATIONS

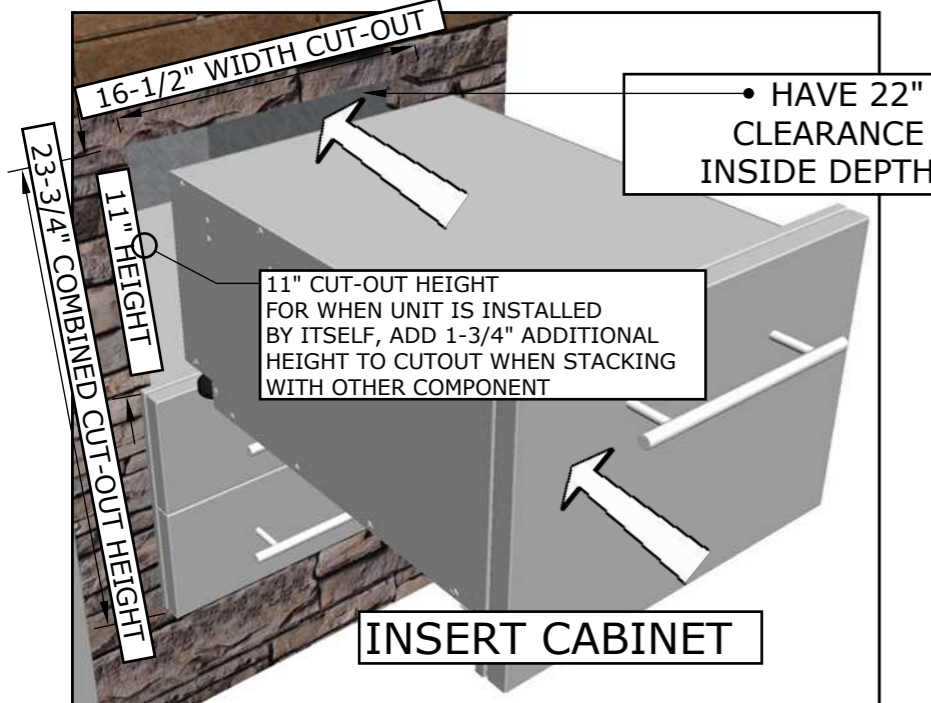


COMPONENT FEATURES A 1/16" RAISED FRAME VISIBLE EDGE ENABLING YOU TO PLACE TWO OR MORE COMPONENTS SIDE BY SIDE OR ONTOP OF ONE ANOTHER CREATING ONE SINGLE LARGER FUNCTIONING COMPONENT OF YOUR OWN CHOOSING

Product Installation

ISLAND WALL CUT-OUT SIZE IS 16-1/2" WIDTH BY 11" HEIGHT BY 22" DEPTH

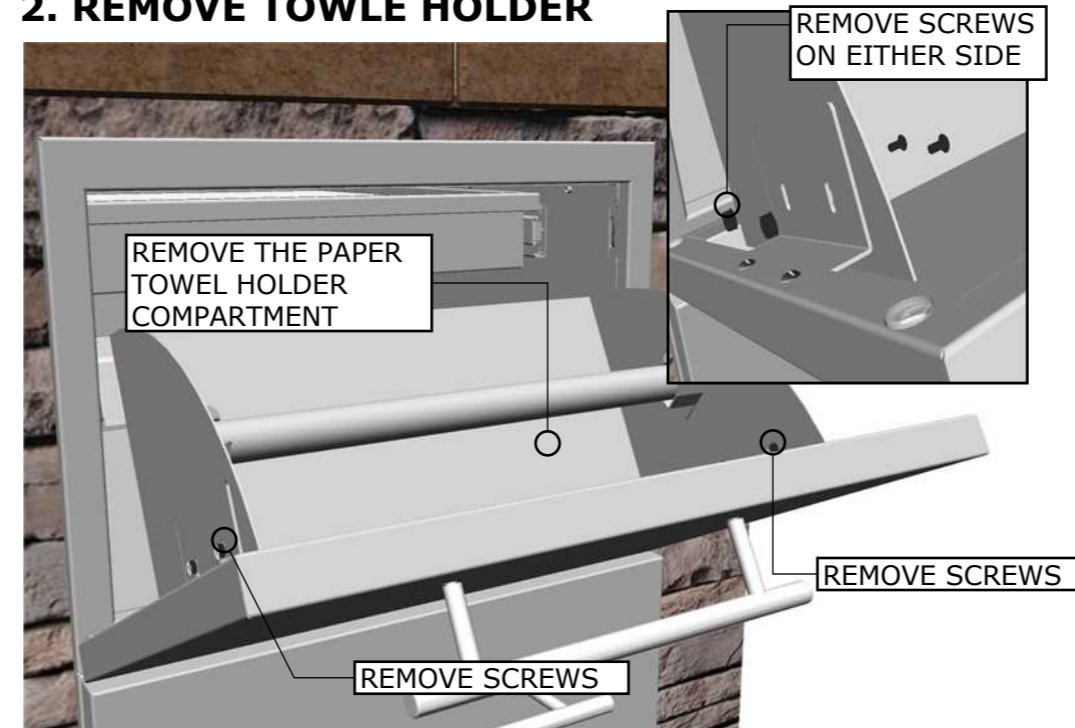
1. INSERT COMPONENT



IMPORTANT!! - ROD HANDLES ARE MOUNTED TO INSIDE OF PANEL, YOU MUST UNSCREW AND MOUNT ON OUTSIDE OF DOOR PANEL.

See SUNSTONE manufacture website for additional product support and product tutorials:
www.sunstonemetalproducts.com

2. REMOVE TOWLE HOLDER



3. MOUNT COMBO & LOWER LEGS

