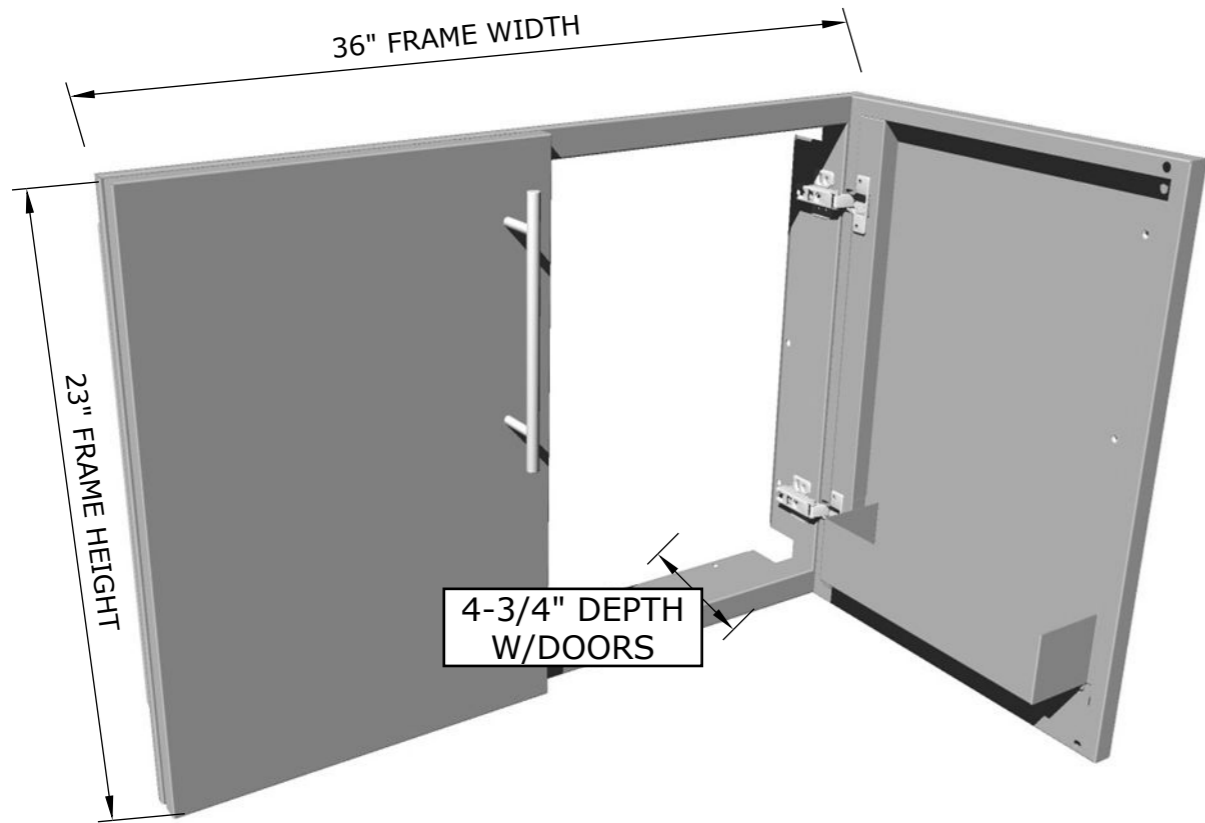
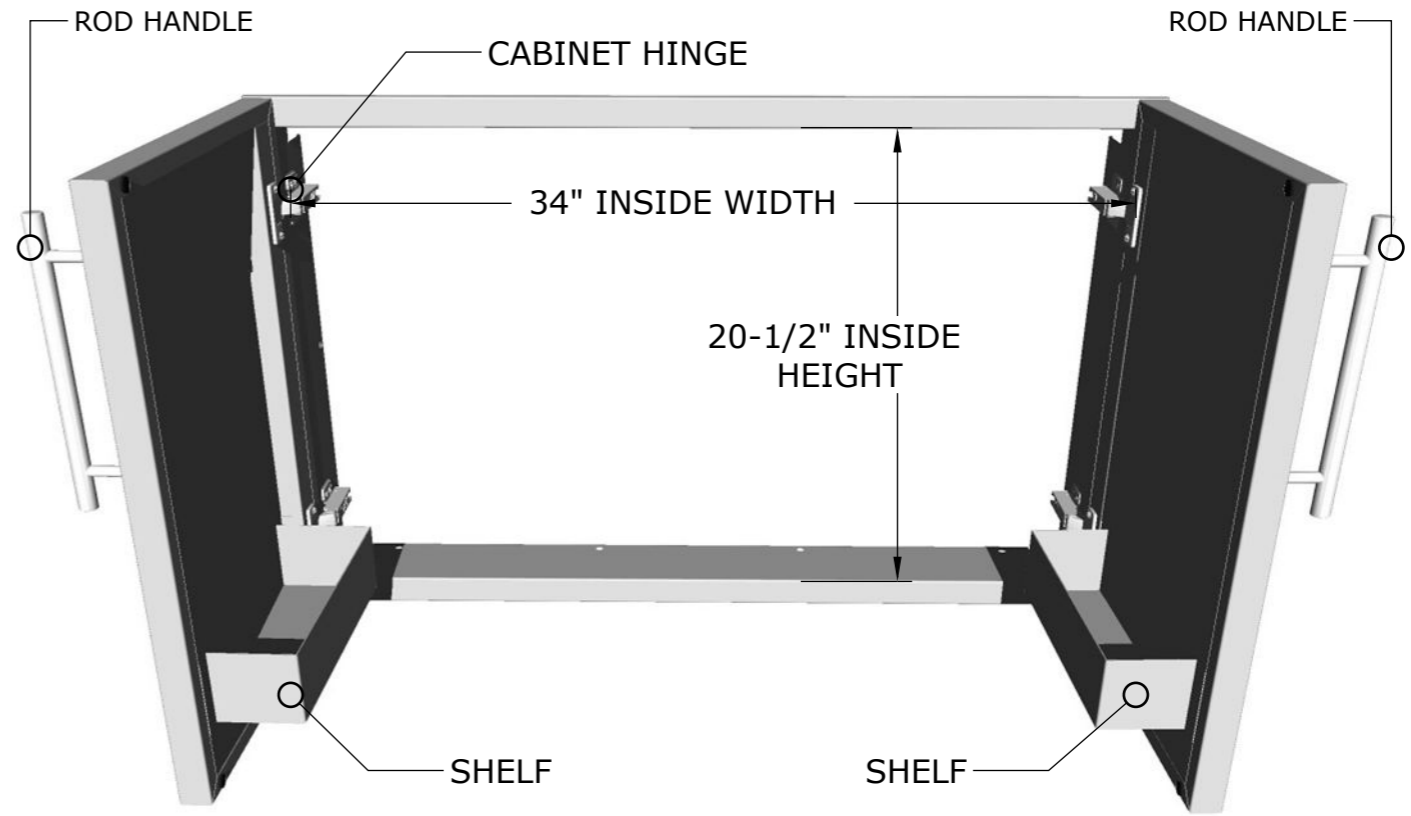
 <p>Designer Series CUSTOM CONFIGURABLE COMPONENTS</p>	<p>PRODUCT 36" Double Door w/Shelves Item No. DE-DD36</p>	<p>DESCRIPTION Designer Series, Raised Style - 36" Double Door w/Shelves</p>	<p>PRODUCT DIMENSIONS 36" WIDTH x23" HEIGHT x4-3/4" DEPTH (PRODUCT SIZE) 34-1/2" WIDTH x21" HEIGHT x3-1/2" DEPTH (CUT-OUT)</p>	<p>SPECIFICATIONS Door Frame is made from 16 gauge 304 Stainless Steel, and door panel is made from 18 gauge 304 Stainless Steel. Handle is Solid 304 Stainless Steel.</p>	<p>WARRANTY</p> <ul style="list-style-type: none"> EXTERIOR FINISH -----3 YEARS ROD HANDLES-----3 YEARS CABINET HINGE----- 1 YEAR
--	---	---	---	---	---

Product Dimensions



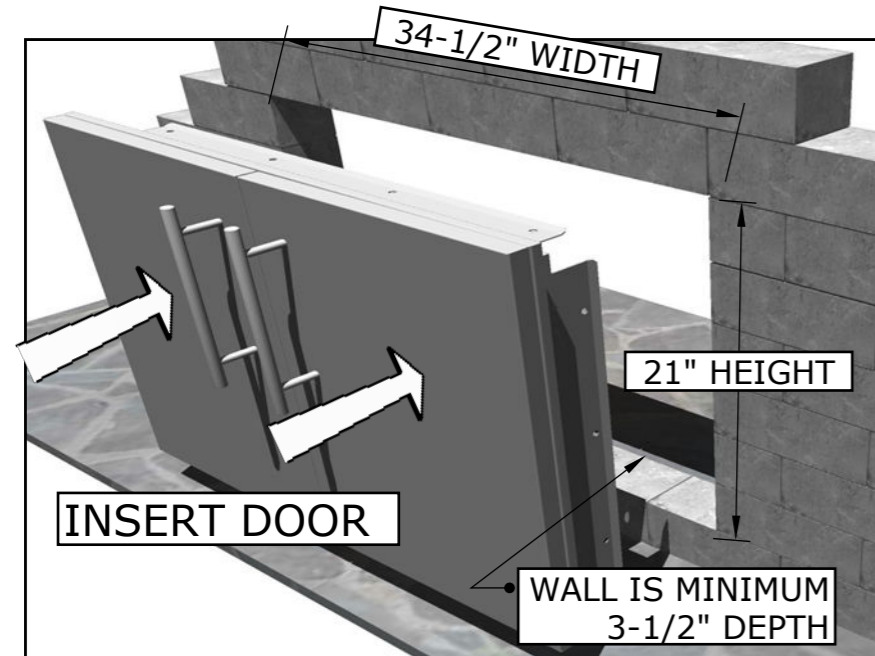
Product Features



Product Installation

ISLAND WALL CUT-OUT SIZE IS 34-1/2" WIDTH BY 21" HEIGHT BY 3-1/2" DEPTH

1 . INSERT COMPONENT



IMPORTANT!! - ROD HANDLES ARE MOUNTED TO INSIDE OF EACH PANEL, YOU MUST UNSCREW EACH ONE AND MOUNT ON OUTSIDE OF DRAWER OR DOOR PANEL.

See SUNSTONE manufacture website for additional product support and product tutorials:
www.sunstonemetalproducts.com

2. MOUNT DOOR TO FRAME

