

SIGNATURE SERIES BEVELED STYLE

PRODUCT
24" W x 35" H Fridge
Trim Kit for up to 21"
Wide Appliance
Item No. BA-TRIM21

DESCRIPTION
Signature Series Beveled Style
Fridge Trim-Kit for up to 21 Inch
Wide Appliance - Works with
Item No. SAPFR21PRO

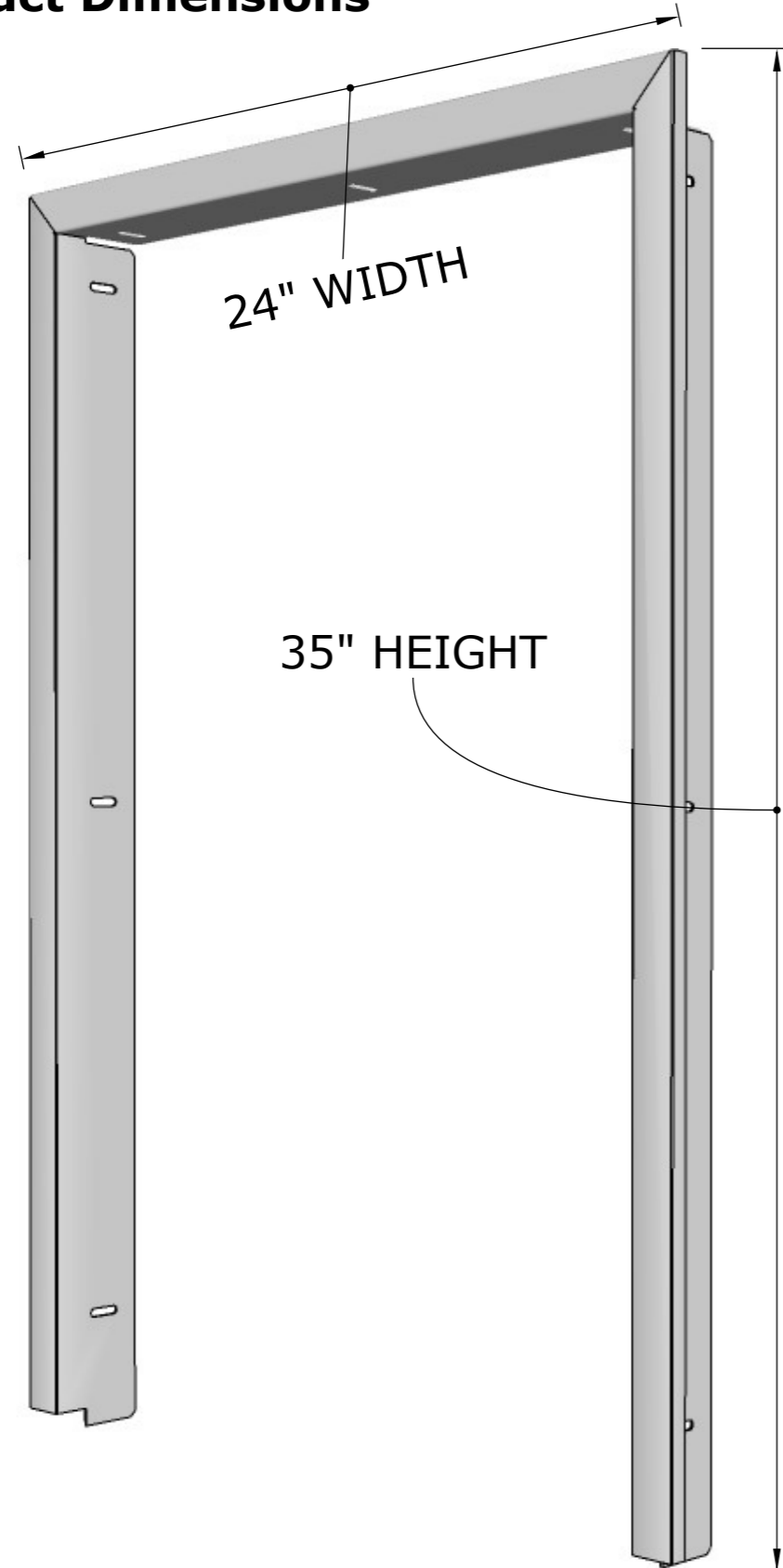
PRODUCT DIMENSIONS
Product Size: 24" WIDTH x 35"
HEIGHT x 3" DEPTH
Cut-Out Size: 22-3/4" WIDTH x
34-1/2" HEIGHT

SPECIFICATIONS
304 Stainless Steel
Construction Frame

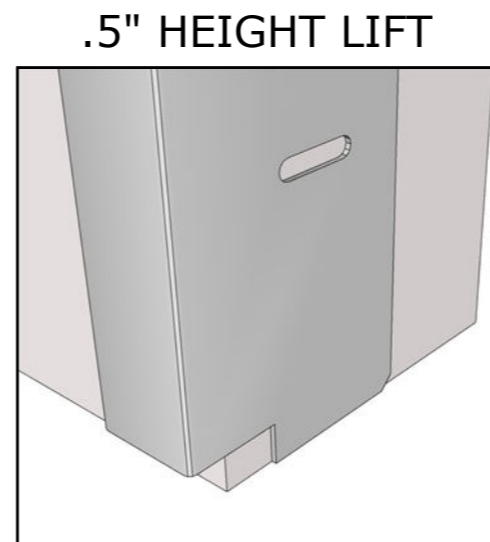
WARRANTY

- EXTERIOR FINISH -----3 YEARS
- STRUCTURE -----3 YEARS

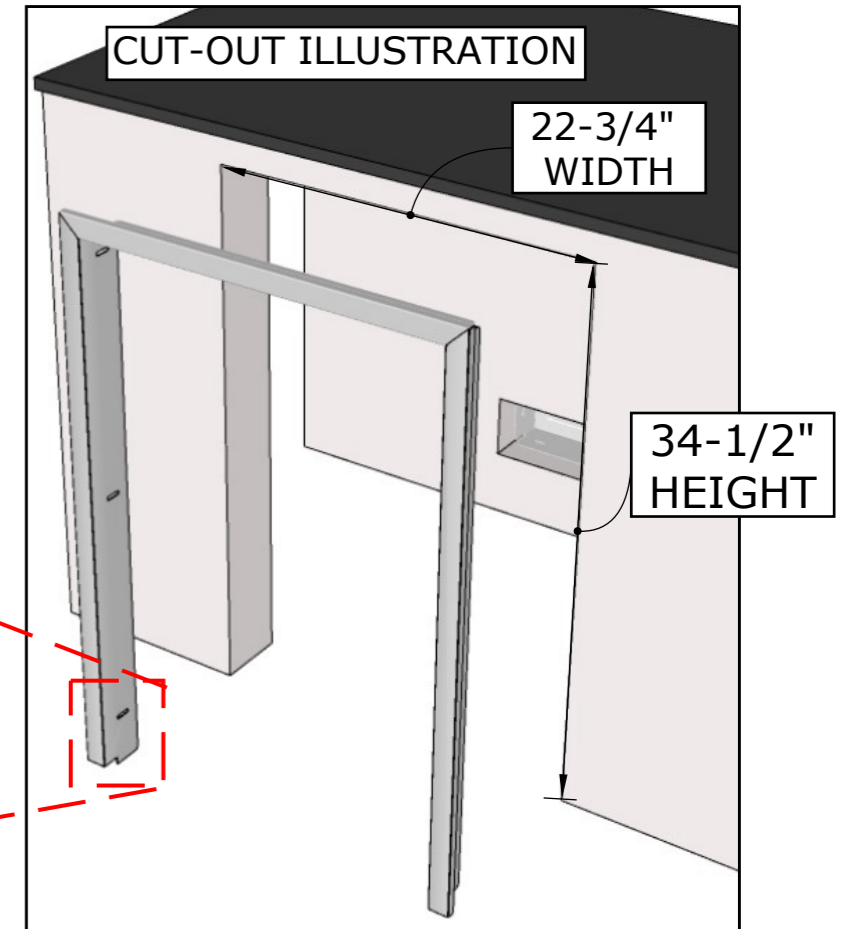
Product Dimensions



ISLAND WALL CUT-OUT SIZE:
PRODUCT SIZE: 24" WIDTH X 35" HEIGHT X 3"
DEPTH
CUT-OUT SIZE: 22-3/4" WIDTH X 34-1/2" H



LIFT ALLOWS FRAME
TO STAY ABOVE
STANDING WATER



KEEP GAP AROUND
FRIDGE EXTERIOR



KEEP VENT LOCATED
BEHIND THE FRIDGE

