

SUNSTONE®
SIGNATURE SERIES
BEVELED STYLE

ITEM NUMBER
 BA-SWVENT

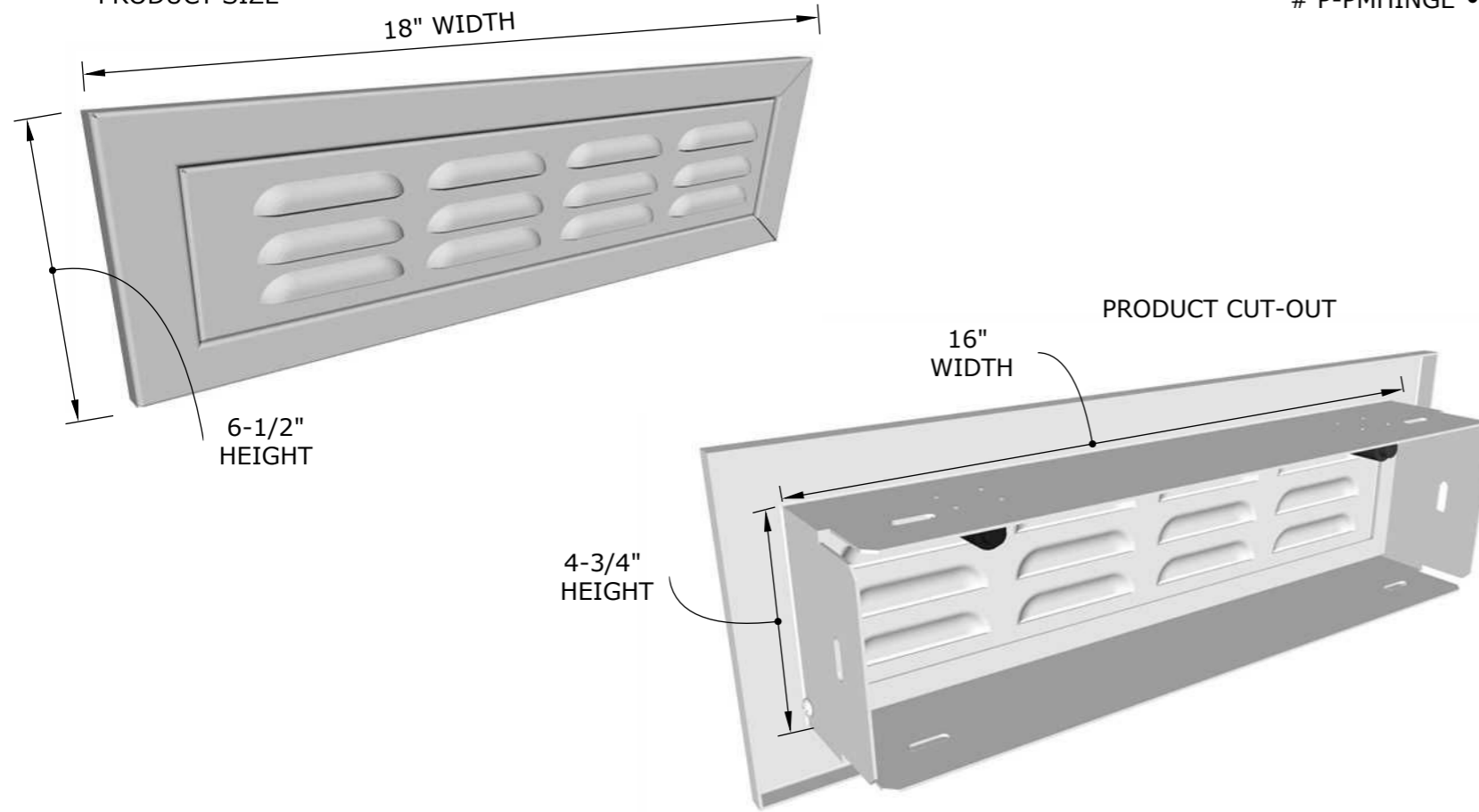
DESCRIPTION
 Signature Series™ 18"
 Swivel Hinged Vented Access
 Door

MANUFACTURE CONTACT
 SUNSTONE METAL PRODUCTS LLC.
 TECH SUPPORT: 888-934-9449
 WWW.SUNSTONEMETALPRODUCTS.COM

WARRANTY
 • PRODUCT WARRANTY-----1 YEAR

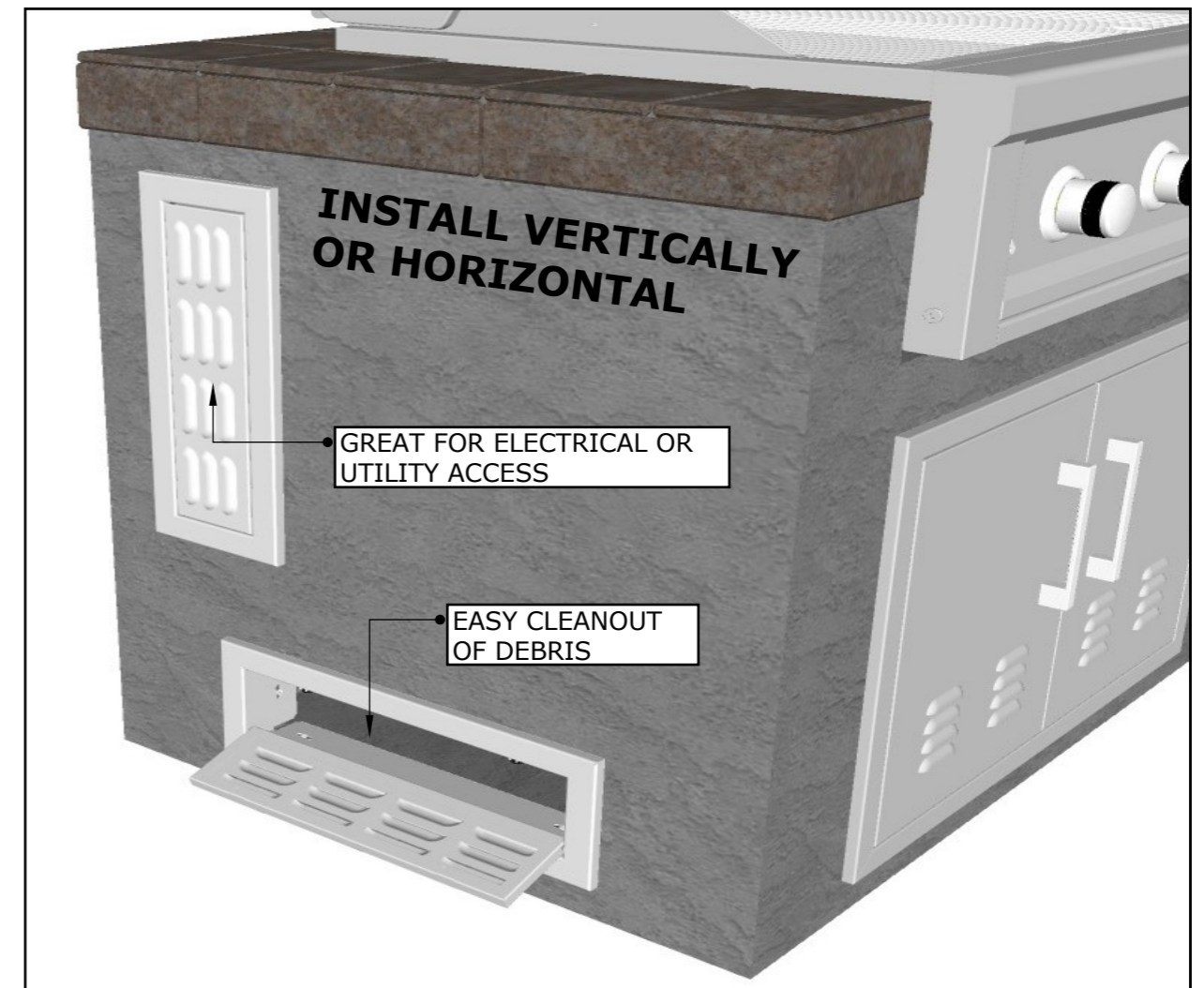
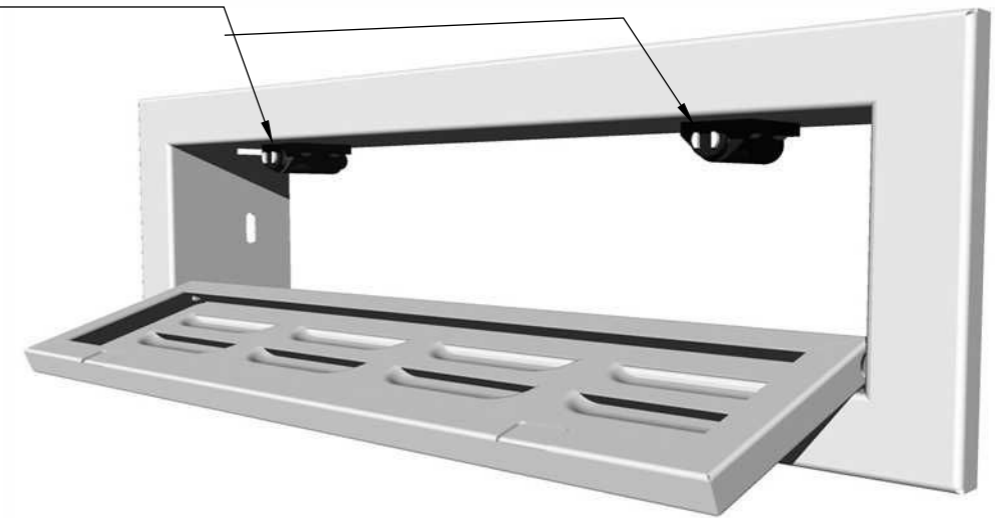
PRODUCT OVERVIEW

PRODUCT SIZE



CABINET PRESSURE
 MAGNETIC HINGES
 # P-PMHINGE

PRODUCT DETAILS



PRODUCT SIZE & CUT-OUT DIMENSIONS

HEIGHT (H) WIDTH (W) DEPTH (D)

BA-SWVENT- 18"W X 6-1/2"H X 3-1/4"D (PRODUCT SIZE)
 16"W X 4-3/4"H X 3"D (CUT-OUT)

Material Specifications:

304 stainless steel for Vented Access Door .16 gauge 304 for
 frame, 20 gauge 304 for door panel, Cabinet Pressure Hinges (2)

**SEE "SUNSTONE BBQ DOORS INSTALLATION GUIDE" FOR A DETAILED
 HOW-TO FOR INSTALLING YOUR NEW ACCESS DOOR**