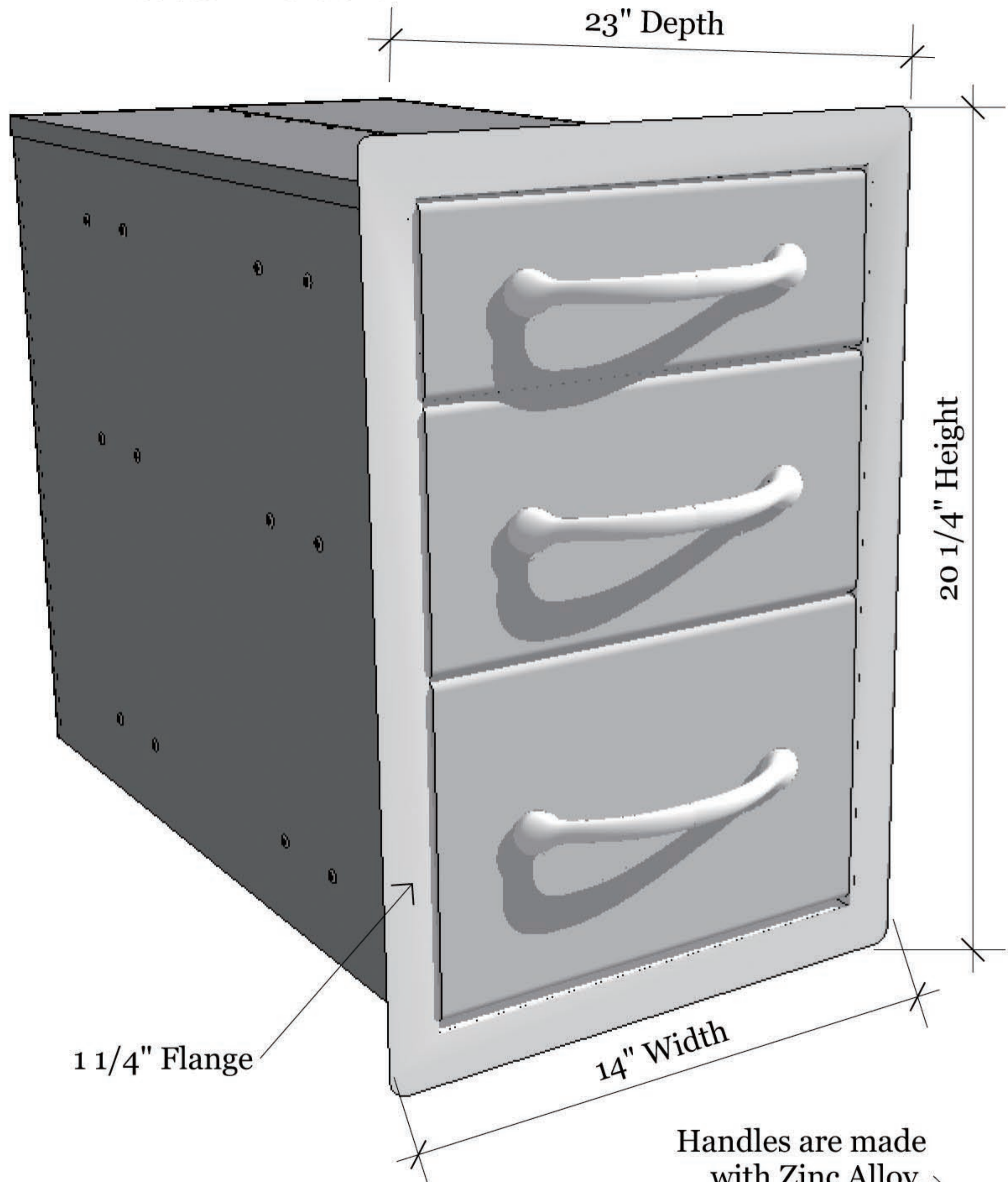
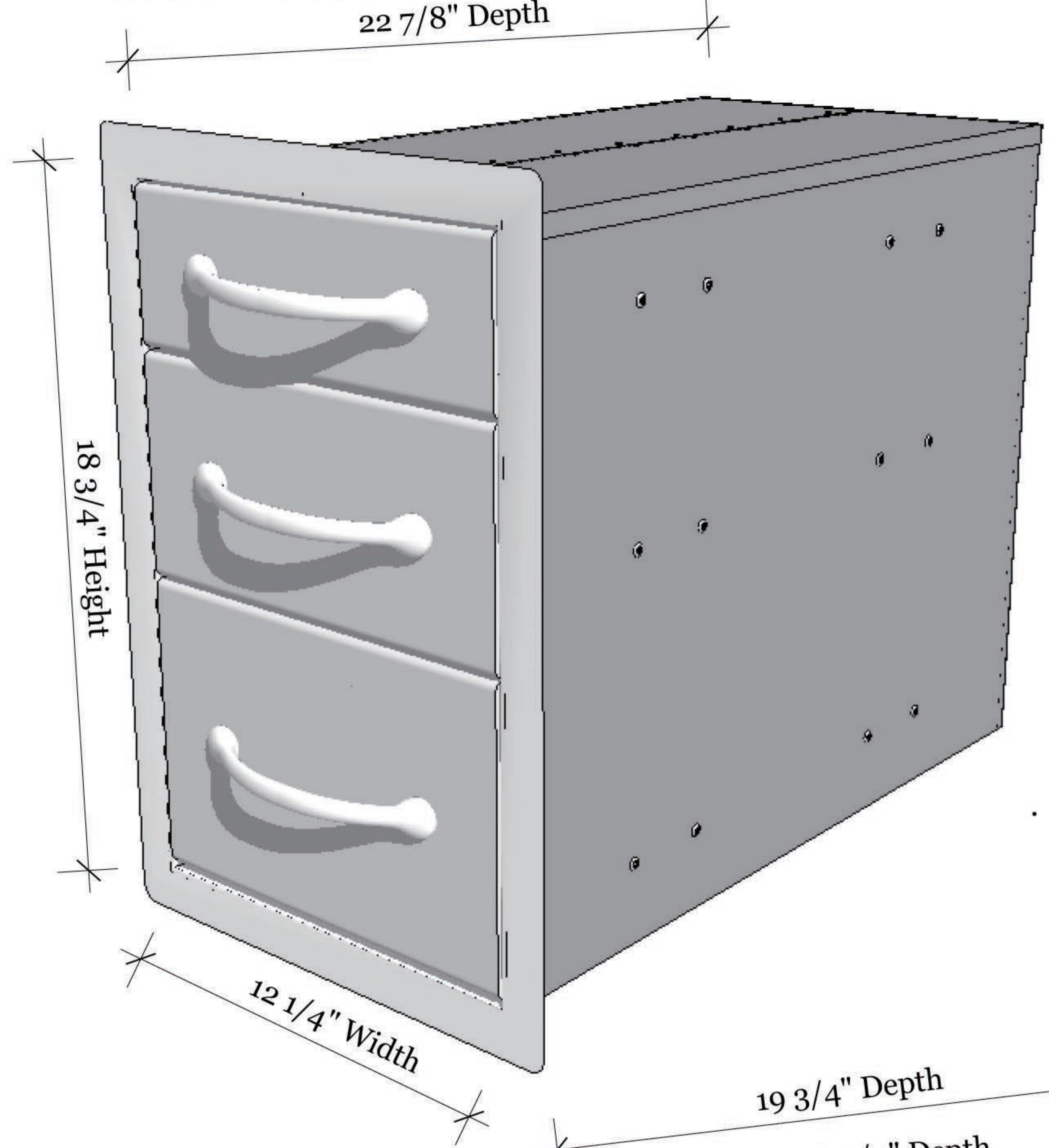


Product Dimensions



Cut-out Dimensions



Sunstone Metal Products  
 16004 Central Commerce Dr  
 Pflugerville TX 78665  
 Tel: 888.934.9449  
 Bus: 512.487.5116  
 Fax: 512.487.7016

**PRODUCT**  
**FLUSH TRIPPLE DRAWER**  
 Item No. B-TD18

**DESCRIPTION**  
 FLUSH TRIPPLE DRAWER WITH  
 SMALL, MEDIUM, AND LARGE  
 DRAWERS

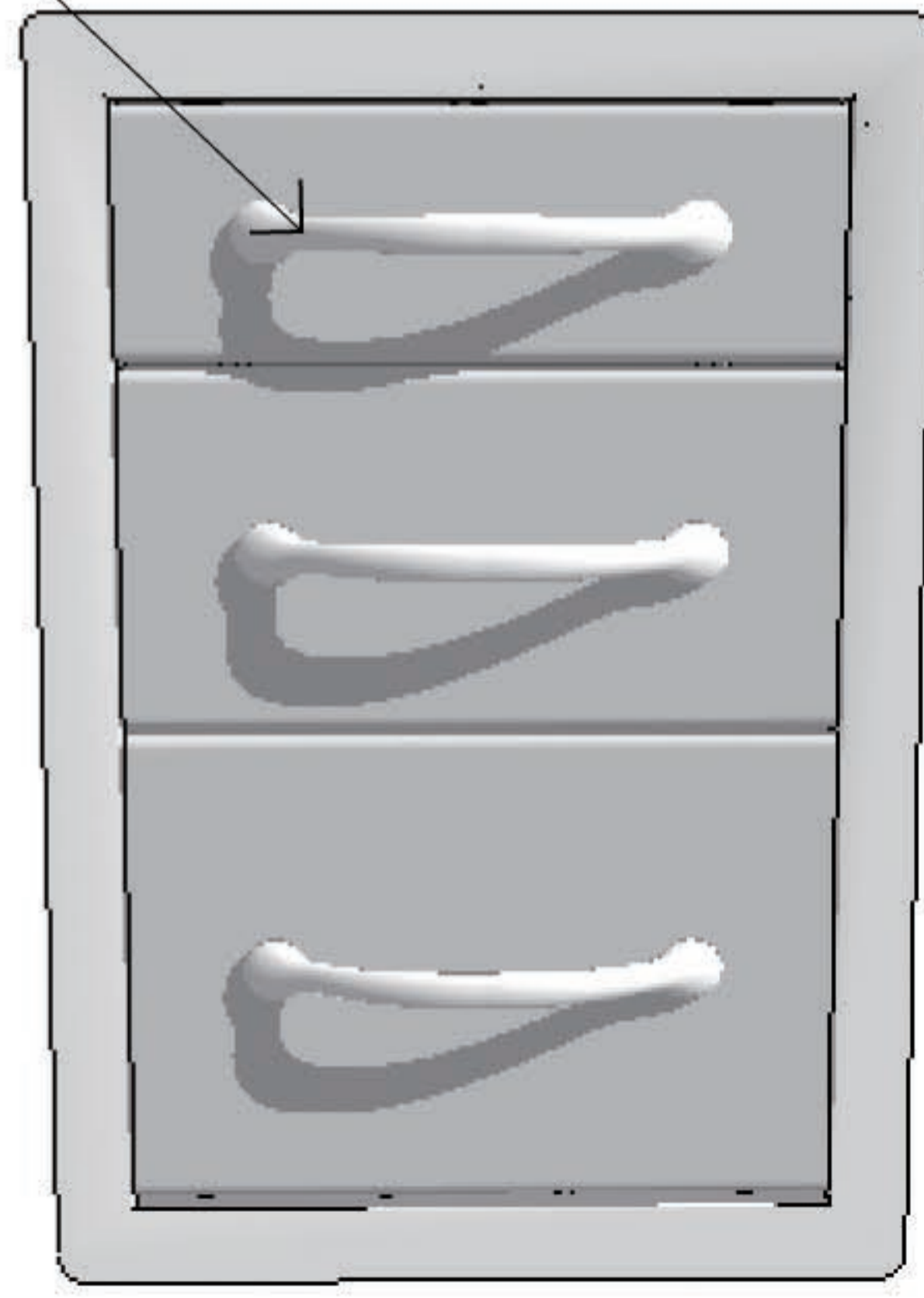
14" W x 20-1/4" H x 23" D (Product Size )  
 12-1/4" W x 18-3/4"H (Cut-out )  
 53LBS ( Weight )

**Material Specifications:**  
 304 stainless steel Trash Drawer  
 16 Gauge for Frame.  
 20 gauge Drawer Cabinet.  
 18 Gauge Galvanized box  
 Handles are made of zinc alloy,  
 chrome plated.

Drawer Body Height

Handles are made with Zinc Alloy, Chrome Plated

Front View



Drawer Extension

Drawer Body

19 3/4" Depth

20 3/4" Depth

4"

6"

7 7/8" Drawer Heights

