

ARUBA SERIES ODK COMPONENTS

PRODUCT
16" Triple Drawer

Item No. ARU-16TD

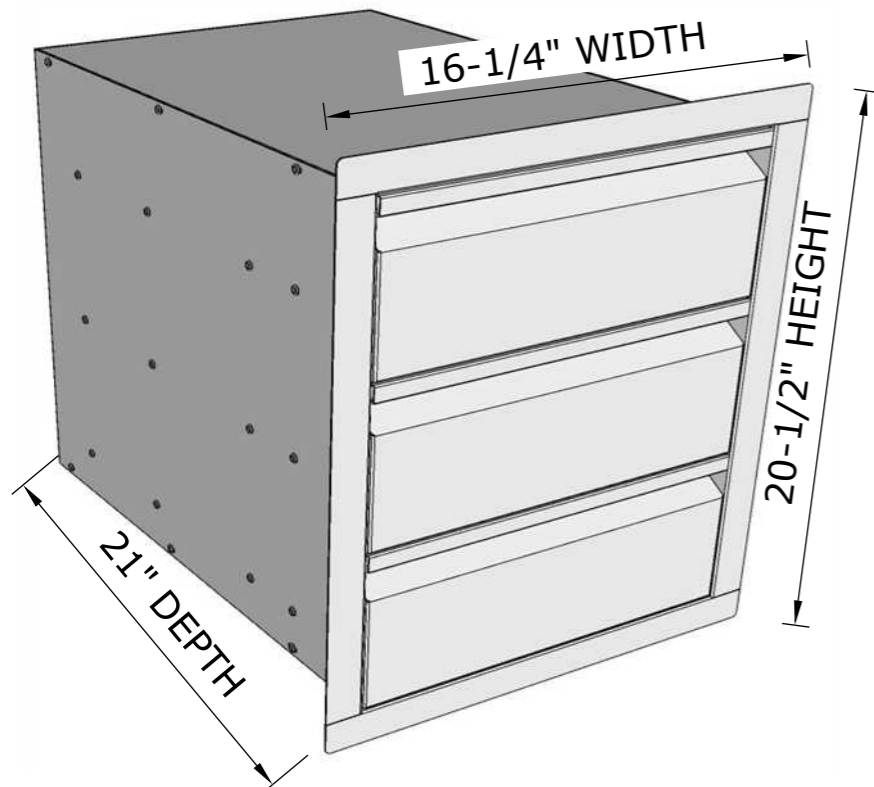
DESCRIPTION
16" Aruba Series Large Triple
Drawer Unit with Cutlery Drawer
& Two Large Storage Drawers

PRODUCT DIMENSIONS
Product Size: 16-1/4" WIDTH x
20-1/2" HEIGHT x 21" DEPTH
Cut-Out Size: 14-1/2" WIDTH x
19" HEIGHT x 21-1/4" DEPTH

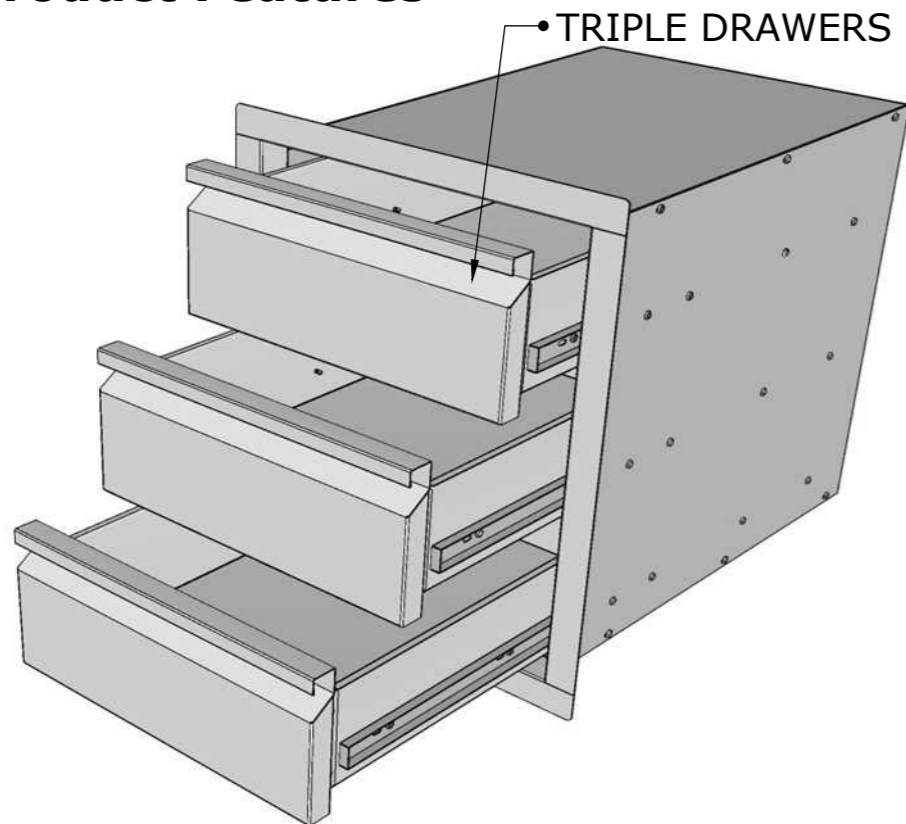
SPECIFICATIONS
304 Stainless Steel
Construction Frame, Drawers,
Galvanized Cabinet Box (Not
Exposed to Elements)

WARRANTY
3 YEARS STRUCTURE
WARRANTY AGAINST
MANUFACTURE DEFECTS

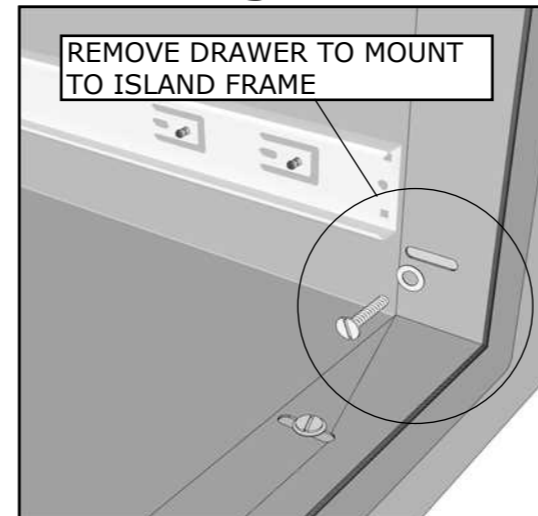
Product Dimensions



Product Features



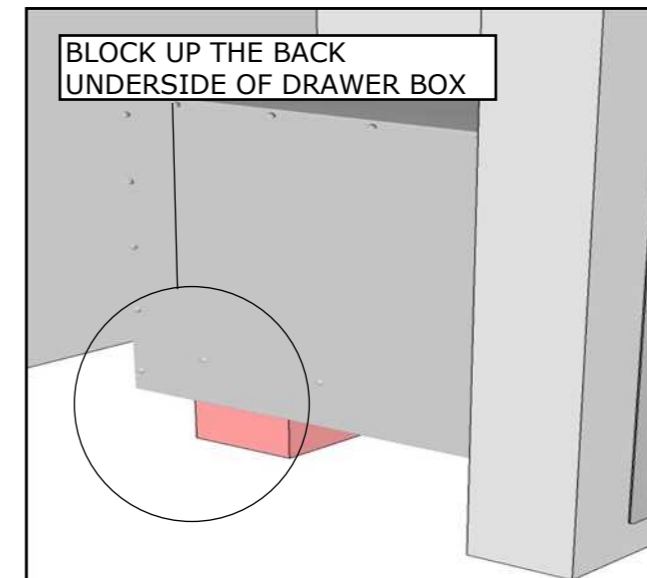
Mounting Holes



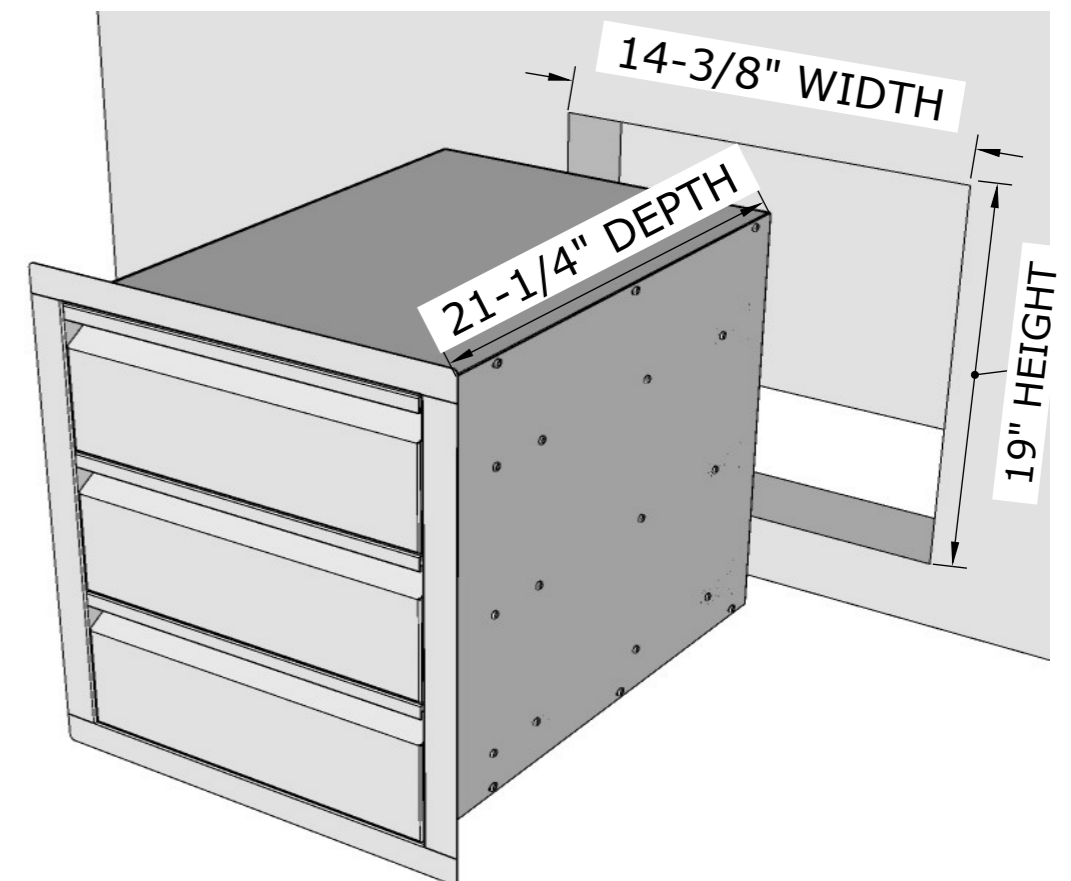
HAVE COMPONENT ON SITE BEFORE MAKING ISLAND CUTS, CONFIRM ALL DIMENSIONS BEFORE CUTTING INTO ISLAND WALL

MOUNT TO INTERIOR ISLAND CUT-OUT EDGE USING SCREW CONSISTENT WITH YOUR INSTALLATION TYPE. CONCRETE, MASONRY, WOOD, METAL ALL USE DIFFERENT SCREW TYPES (HARDWARE NOT INCLUDED)

Drawer Box Support



ISLAND WALL CUT-OUT SIZE:
14-3/8" WIDTH x 19" HEIGHT x 21-1/4" DEPTH



Product Cut-Out